



Two models for surfaces  up to 300 m²



The central vacuum cleaner Wolly 2 can be installed almost everywhere: thanks to the easy pre-installation it is always possible to find the right place to install it. With its sober and essential design this central vacuum unit is never misplaced.

Selection table



IP44



1 operator

The built in central vacuum unit Wolly 2 was designed to be installed inside as well as outside. It is possible to connect it to 40 mm (with maximum 3 inlets), 50 mm or 2" pipes. The air discharge can be carried or frontal.

Maximum surface	MODEL	ARTICLE	Maximum inlet valves	Operators maximum	Vacuum attachment Ø (mm)	Air vent Ø (mm)	Dust bag capacity (l)	Filtering surface (cm ²)	Power supply (V ac)	Motor power (kW)	Maximum air flow (m ³ /h)
Max 150 m ²	Wolly2 150	8201.0	4	1	40/50/2"	40/50/2"	12	2840	220/240	1,3	234
Max 300 m ²	Wolly2 300	8201.1	7	1	40/50/2"	40/50/2"	12	2840	220/240	1,4	184

Special pre-installation Wolly 2

Installation SET



WOLLY 2 INSTALLATION SET

Complete pre-installation set for a central vacuum system with the central vacuum unit Wolly 2 in the built in version (with box and doors) and installation material for three inlets (50 mm pipes).

One more opportunity to install Wolly 2.

ARTICLE	PRODUCT DESCRIPTION	Packing Pcs
7030.3YE	WOLLY 2 INSTALLATION SET 3 INLETS	1

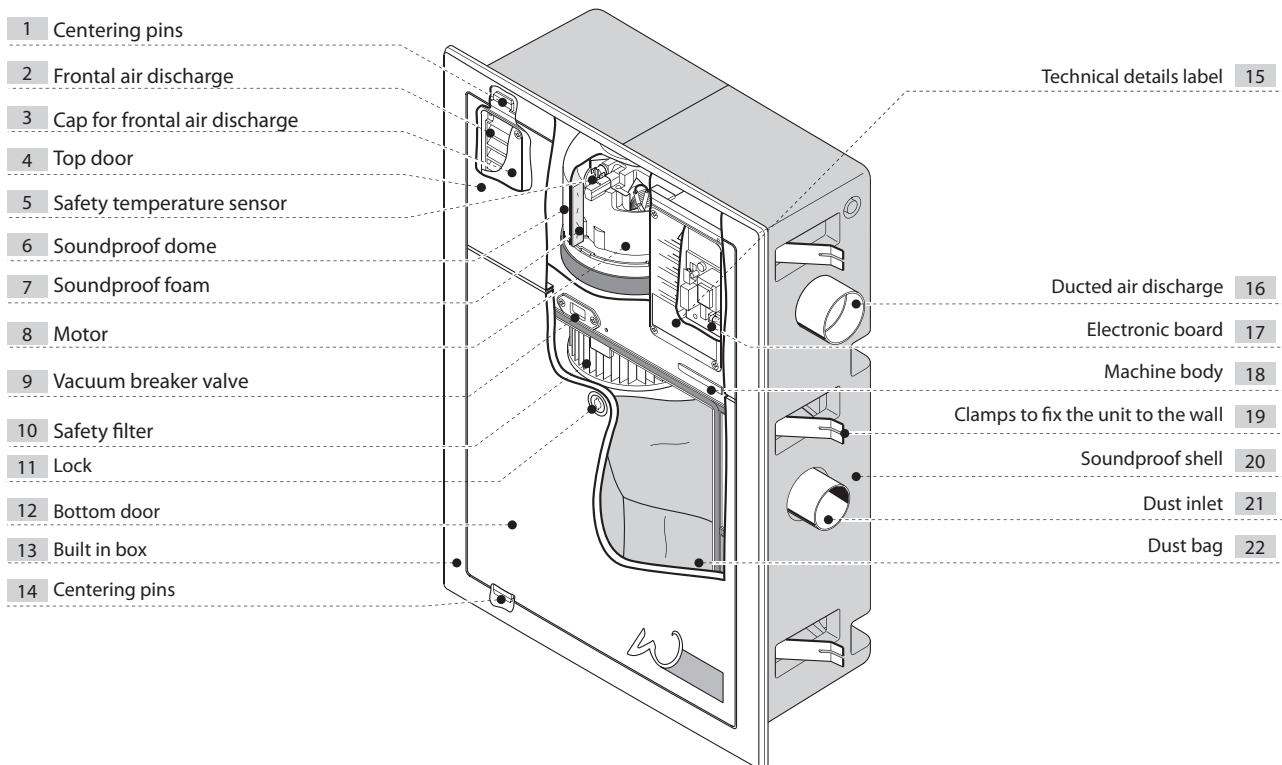


TECHNICAL FEATURES

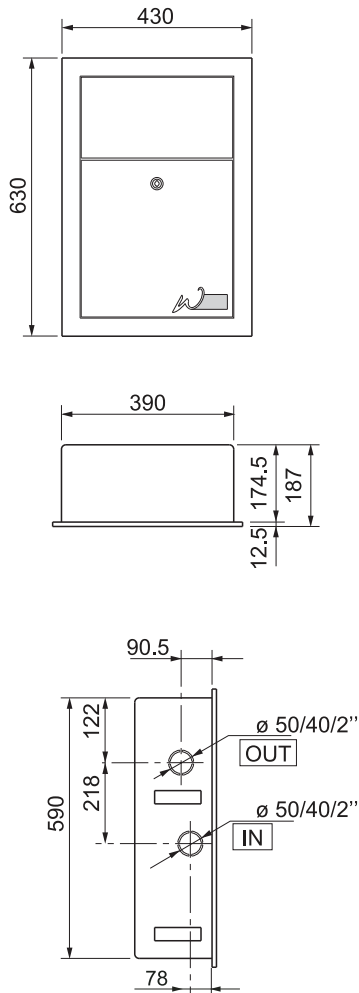
The central vacuum cleaner Wolly 2 is designed and realized in conformity with all regulations in force and European directives but also takes great care of functionality, rationalization of the spaces, power and easiness of use.

Additional features:

- the air discharge can be frontal or carried;
- possible connection to the piping network from the right or the left;
- Soft Start system to reduce the motor consumption during the start up phase;
- filter cartridge in filter class L, in polyester, washable;
- filtering bag in microfiber, 12 l capacity;
- vacuum breaker valve to protect the motor;
- single phase motors with brushes and direct cooling;
- safety temperature sensor which protects the motor with automatic stop and start in case of problems.



MESUREMENTS AND TECHNICAL DETAILS



Model Article		Wolly 2	
		Wolly2 150	Wolly2 300
		8201.0	8201.1
Maximum surface	m ²	150	300
Power Supply	V ac	220/240	220/240
Frequency	Hz	50/60	50/60
Motor power	kW	1,3	1,4
Absorption	A	5,6	6,5
Inlets supply	V dc	12	12
Maximum depression	mmH ₂ O	2700	2900
Maximum air flow	m ³ /h	234	184
Security filter surface	cm ²	2840	2840
Dust container capacity	lt	12	12
Weight	kg	9	9
Width	mm	430	430
Height	mm	630	630
Depth	mm	187	187
Vacuum attachment	\varnothing mm	40/50/2''	40/50/2''
Exhaust attachment	\varnothing mm	40/50/2''	40/50/2''

INSTALLATION SOLUTIONS

