



Attachments (reversible) from either right or left side



Tecno Star Dual power unit with automatic filter self cleaning



Dust container easy to manage



Control Interface system (detail)



TECNO Star
★ ★ Dual Power

Two operators simultaneously

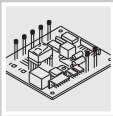
Maximum cleaning surface **up to 450 m²**

TECNO Star Dual Power a domestic vacuum unit with professional performances



ENERGY SAVING

The unit can work with an energy saving of 7% at the same suction power.



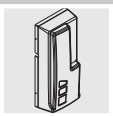
CUSTOMIZABLE SMART MANAGEMENT SOFTWARE

The Tecno Star Dual Power central unit provides the same advanced package for electronic and software management available on the new Tecno R-Evolution series; it includes many different safety controls set up by Sistem Air but customizable by the end user in order to assure very easy maintenance procedures.



THE PRECISION OF THE MAINTENANCE SYSTEM DETECTION

Many different control sensors send to the internal microprocessor all real central vacuum unit conditions; the unit display points out all malfunctions with the indications to restore the correct working conditions.



SELF-CLEANING OPTIONAL DEVICE

The Tecno Star Dual Power unit is prepared to receive the self-cleaning optional device, either during the installation phase or later on, with no need of further operations.

Central unit characteristics



up to 2 operators simultaneously

The TECNO Star Dual Power unit is recommended for residential installations with maximum surface to be cleaned up to 450 m², piping network with 50/63 mm diameter, and dust inlet with 63 mm diameter.

Additional characteristics:

- extreme reliability thanks to the vacuum breaker valve and to the Soft Start electronic board, which prevents that the motor works in critical conditions;
- "Turbo" function button to start up both motors with just one operator;
- user friendly display;
- basement coated with shockproof material;
- metal dust container with the special low-effort opening device and soft touch handle.

Overall surface area	MODEL	ARTICLE	Maximum inlet number	Maximum operators number	Computer maintenance	Dust container capacity (l)	Filtering surface area (cm ²)	Power Supply (Vac)	Motor power (kW)	Maximum air flow (m ³ /h)
*Max 350 m ² **Max 450 m ²	TECNO STAR Dual Power	3116.2TS	16	1+1	YES	62	17000	220/240	1,3x2	390

(*) for two separate micro lines; (**) for one single micro line



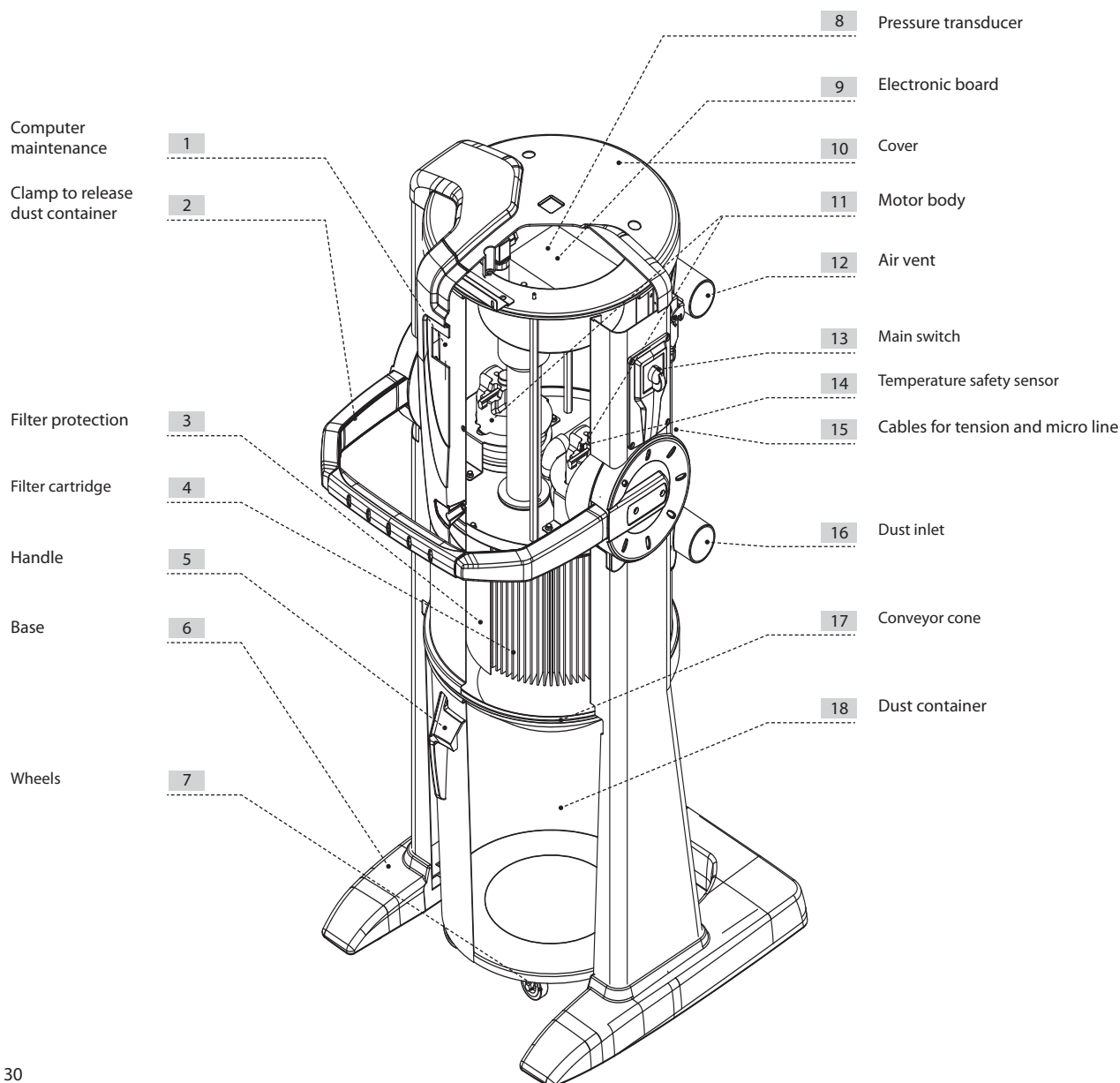


TECHNICAL FEATURES

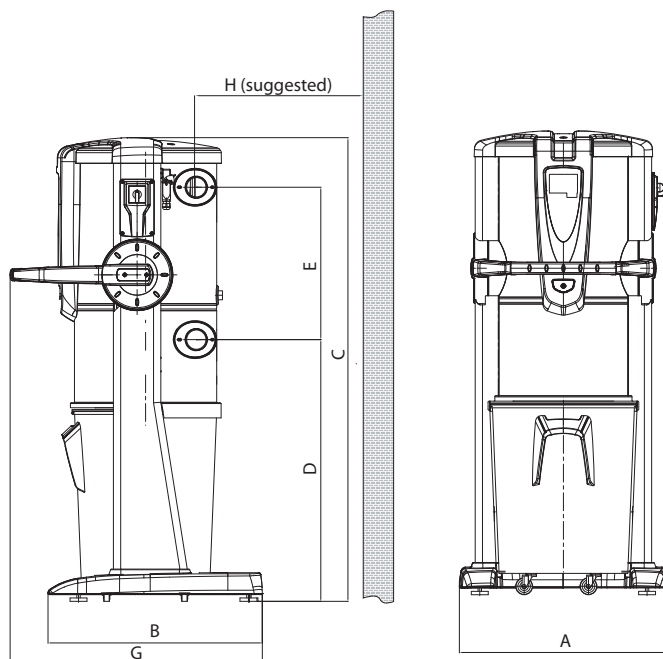
The central vacuum cleaners of the Tecno Star Dual Power series are designed and realized in conformity with all regulations in force and European directives but also take great care of functionality, power and easiness of use.

Additional features:

- possible connection of the pipes from the left or from the right;
- programmable computer to check and personalize the maintenance cycles with dedicated software which can signal that the dust container is full, the filter cartridge is to be cleaned and the motor needs maintenance;
- soundproof motor cage;
- filter cartridge in filter class L, in polyester, washable;
- high capacity dust container with wheels that makes its handling easy;
- single phase motors with brushes and direct cooling;
- Safety temperature sensor which protects the motor with automatic stop and start in case of problems.



MEASUREMENTS AND TECHNICAL DETAILS



TECNO Star Dual Power series

Model Article	TECNO Star Dual Power	
	3116.2TS	
Computer maintenance		YES
Dust inlet pipe	Ø mm	63
Air vent	Ø mm	63
Insulation level	IP	20
Power	V ac	220/240
Frequency	Hz	50/60
Motor power	kW	1,3x2
Absorption	A	12
Socket dc power supply	V dc	12
Maximum air flow	m ³ /h	390
Filtering surface	cm ²	17000
Dust container capacity	l	62
Air vent		YES
Air discharge silencer		NO
Weight	kg	55
Measurement A	mm	615
Measurement B	mm	633
Measurement C	mm	1369
Measurement D	mm	773
Measurement E	mm	450
Measurement G	mm	745
Measurement H	mm	500
Noise level with 1 motor	dB(A)	64
Noise level with 2 motors	dB(A)	69

N.B.: Levels of nominal noise. The levels can vary according to the environment where the central unit has been installed and the kind of installation.

FITTING THE CENTRAL UNIT

The central vacuum unit do not need any particular fixing. Nonetheless it is necessary to check that the area where the central unit is to be installed comply with these minimum requisites:

- a firm and completely flat horizontal surface;
 - the surface should not be subject to vibrations.
- Moreover it is fundamental that the surface is not in a bad condition to avoid that the central unit becomes unsteady.

CONNECTION TO THE PIPING NETWORK:

The connections to the piping network and to the air vent can be positioned on the right or on the left side of the central unit.

