

LOCAL EXTRACTOR

TEX **2000** **with gas spring**

Telescopic local extractor suitable for confined spaces, e.g. welding booths and workbenches.

The FUMEX local extractor TEX, with the length 2 m, is a telescopic local extractor for e.g. welding worksites where a compact local extractor with low pressure drop is required. In addition to the telescopic function, the TEX is also equipped with a gas spring that balances the dead weight of the arm. The suction nozzle with a manually operated damper incorporates a swivel function. It may be rotated 360° and moved to a 90° angle.

FUMEX always designs its local extractors with supporting arms on the outside, which ensures a natural and undisturbed air flow. In addition, the pressure drop will be low and there is hardly any risk of ducts being blocked. The TEX may also be equipped with a flat screen hood for even greater efficiency. A conical hood, with or without halogen light, is also available.

The smooth inside of the suction duct makes the TEX very easy to clean. Adjustments of joints as well as main-tenance can easily be taken care of with hand tools from the outside.

The FUMEX RX is easy to install and delivered with brackets for ceiling or floor mounting.



White design



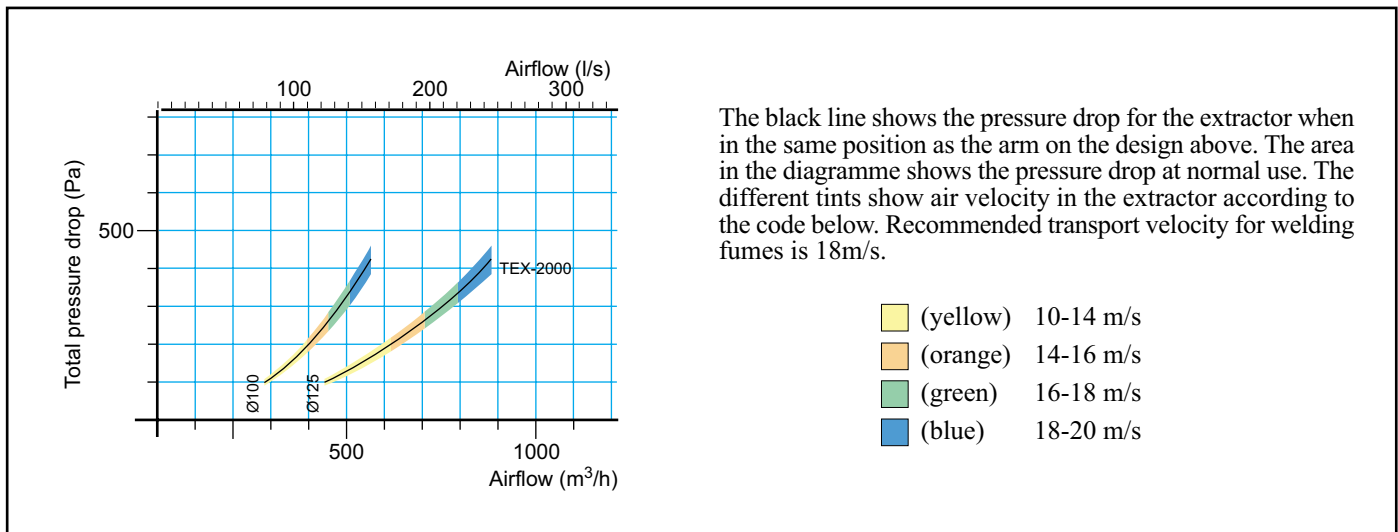
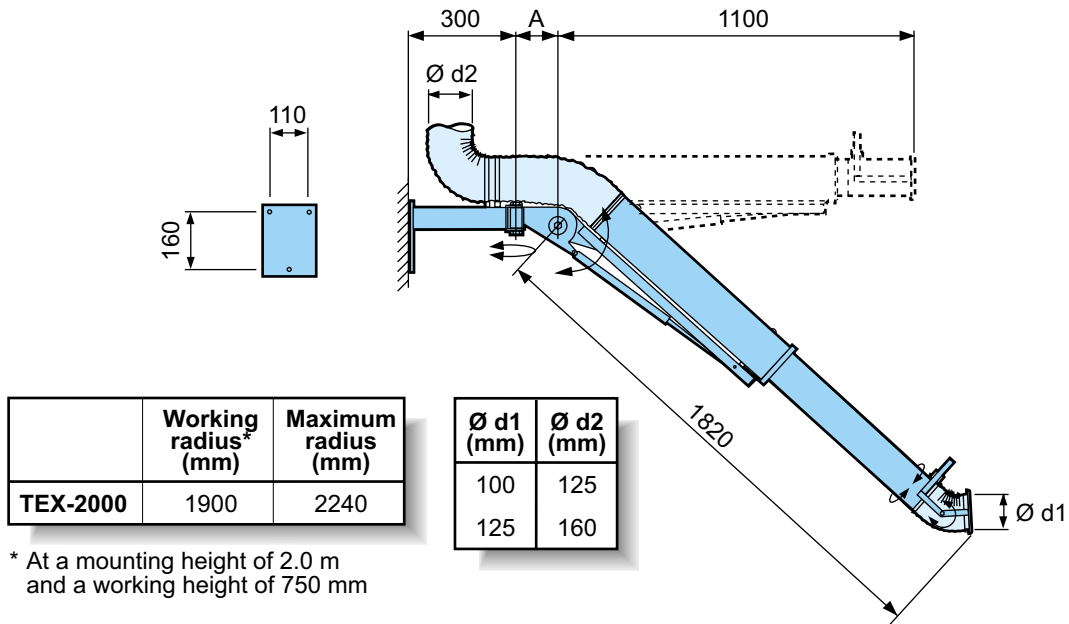
Suction nozzle with damper and 360° swivel

Fumex also offers a range of fans, accessories, automatic control devices and filters for our local extractors.

FUMEX®

LOCAL EXTRACTOR

Pure advantage



Hose

Made of spring steel coil completely embedded in PVC-coated polyamide fabric.

For other hose qualities, contact FUMEX.

Tube

Made of powder coated, rounded sheet steel.

Sliding lining

Material: PEHD-300, adjustable friction

Delivery

For easy installation, the arm is delivered fully assembled including bracket for wall mounting. The arm can also be delivered in white coating and tubes in stainless steel. Accessories include brackets for ceiling, floor and table mounting and flat screen hood or conical hood with or without halogen light.

Hose

Qualities Non-inflammable, suitable for welding fumes and flue gas.

Temperature range -10°C to +90° C

Sliding lining

Temperature range -10°C to +80° C

Other information

Surface treatment of metal components Powder coating
 Weight 14, 17 och 19 kg

FUMEX®

Verkstadvägen 2, 931 61 SKELLEFTEÅ, Sweden
Skellefteå: Tel.Int. +46 910-361 80, Fax.Int. +46 910-130 22
 www.fumex.com info@fumex.se