



Two models for surfaces

up to 60 m²



The Jolly series was realized with an eye to compactness and easiness of use: the diagnostics of the central unit is simple and clearly visible, positioned near the inlet of the hose.



The replacement of the dust bag is simple and hygienic, thanks to the bag carrier and the closure string, which avoids that the vacuumed material comes out.



The box to fix the unit to the wall is quite compact and has a sober finishing.



The decorative frames give an elegant touch to the vacuum cleaner, which can easily be integrated with the furnishing of the room in which it is installed.

Selection table



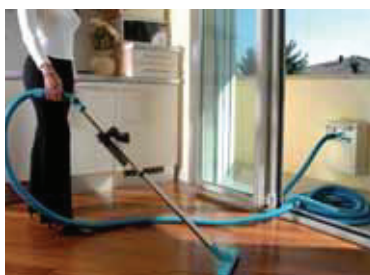
IP20



1 operator

The absence of the piping network makes Jolly particularly suitable for the installation in pre-built houses and in all cases in which it is impossible to install a piping network. Each Jolly vacuum cleaner can clean a surface of about 60 square meters. Combining more vacuum cleaners, each of which can be positioned at pleasure depending on the installation needs, it is possible to clean any surface. It is also possible to install the central vacuum cleaner in the center of the apartment, on a partition wall, using the external box. If you wish to discharge the vacuumed air outside the house you can use the special kit for ducted discharge. The Jolly Contact version has the same characteristics as the basic Jolly unit, but it makes possible to start and stop the central vacuum cleaner by using the button on the handle of the hose.

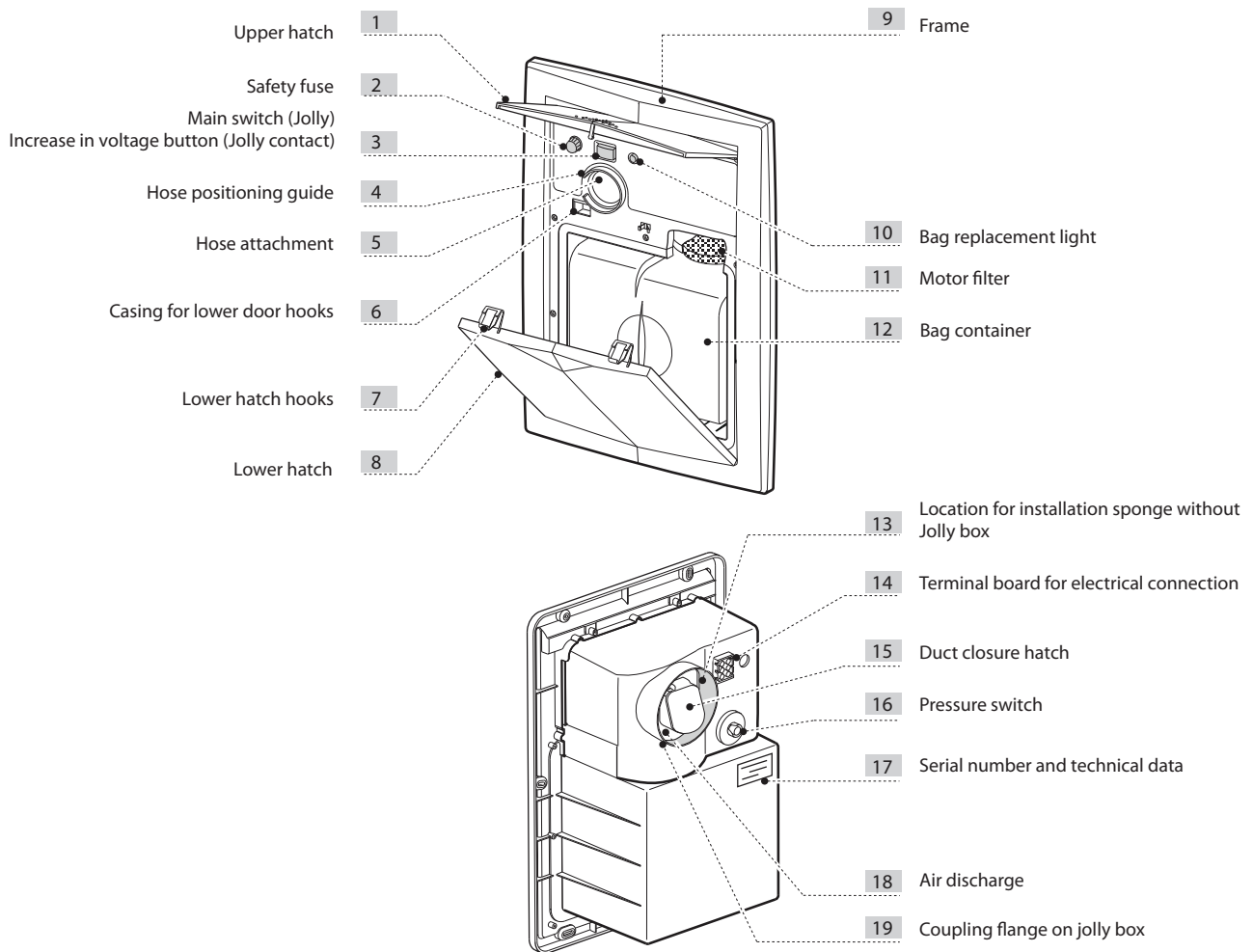
Maximum surface	MODEL	ARTICLE	Maximum inlet valves	Operators maximum	Attachment for low voltage hose	Dust bag capacity (l)	Power supply (V ac)	Motor power (kW)	Maximum air flow (m³/h)
Max 45/60 m²	JOLLY	8710.0	1	1	NO	3	220/240	1	178
	JOLLY Contact	8720.0	1	1	YES	3	220/240	1	178





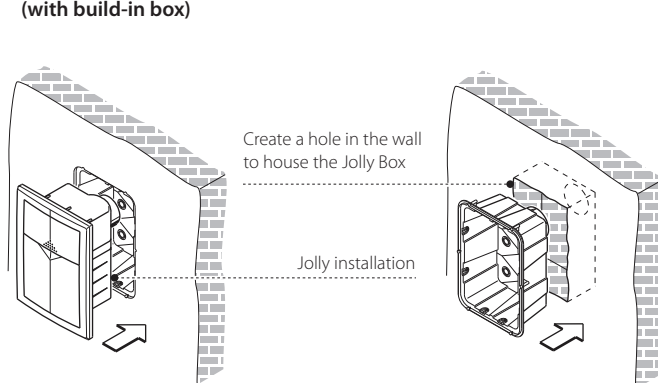
TECHNICAL FEATURES

- Paintable external frame in ABS;
- Structure in plastic material propylene;
- Box for the dust bag for a cleaner and fast disposal;
- Dust bag with 3 l capacity;
- Signal that bag replacement is needed;
- Single phase motor with brushes;
- Safety temperature sensor to protect the motor with automatic stop and start;
- Connection for on-off hose (only Jolly Contact).

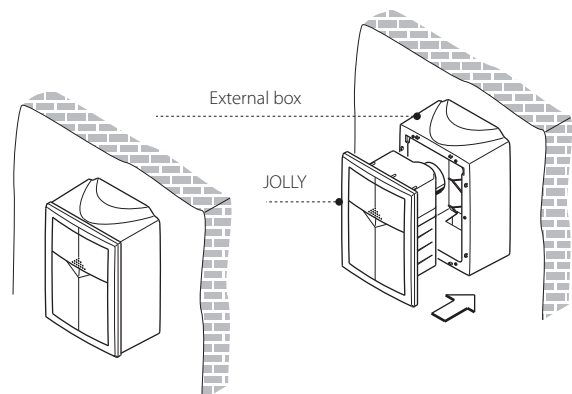


TRADITIONAL INSTALLATION

(with build-in box)

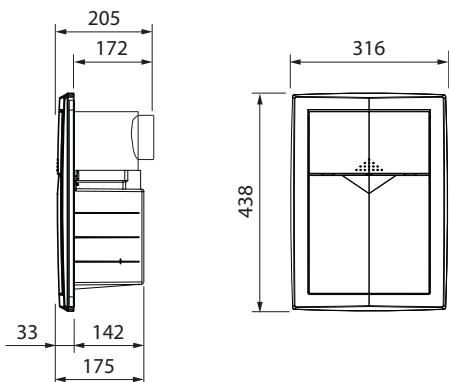


EXTERNAL INSTALLATION ON THE WALL



MEASUREMENTS AND TECHNICAL DETAILS

Art. 8710.0 Art. 8720.0
Size of Jolly / Jolly contact

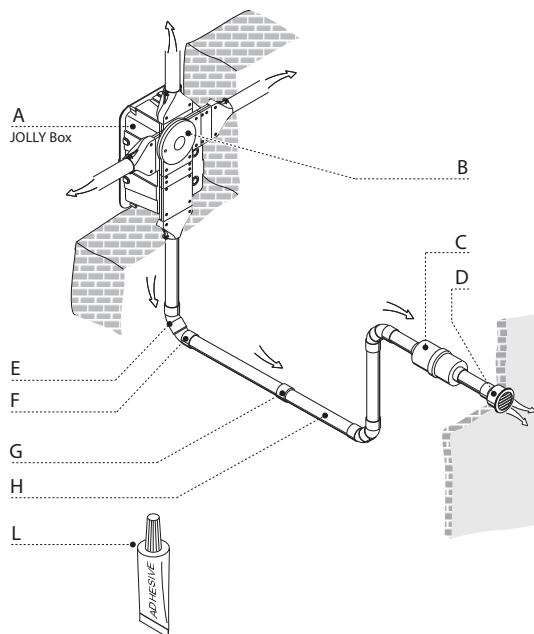


Model Article		Line JOLLY	
		JOLLY	JOLLY Contact
		8710.0	8720.0
Attachment for low voltage hose		NO	YES
Dust inlet pipe	Ø mm	40	40
Insulation level	IP	20	20
Power	V ac	220/240	220/240
Frequency	Hz	50/60	50/60
Motor power	kW	1	1
Absorption	A	5	5
Supply to low voltage hose	V dc	-	12
Maximum air flow	m³/h	178	178
Protection fuse		WF 10A 250V	WF 10A 250V
Dust bag capacity	l	3	3
Air vent		YES	YES
Air discharge silencer		NO	NO
Weight	kg	3,8	3,8
Noise level lower than	dB(A)	70	

N.B.: Levels of nominal noise. The levels can vary according to the environment where the central unit is installed, and the kind of installation.

BASIC SET

It is a tool that allows the installation of Jolly in the centre of the house: equipped with air discharge to the outside, piping and accessories, it allows the air to be discharged to the outside.



Material content in the basic set 8600.2

Rif	Article	Pcs.	Description
A	8500.0	1	Jolly wall box
B	8510.1	1	Side discharge
C	110001	1	PVC silencer
D	5050.4	1	Ø 50 vent grate
E	3050.0	4	Ø 50 45° M/F PVC elbow
F	3050.1	4	Ø 50 45° F/F PVC elbow
G	1150.1	6	Ø 50 F/F PVC sleeve
H	1850.0	9 mt.	Ø 50 PVC pipe
L	9225.3	1	Special glue (60g)

