



## Industrial Clean

big/small

Strength and technology =

# Industrial Clean Industrial Motor

No limits modular system



**Industrial Motor**

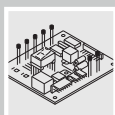
Maximum aspiration power





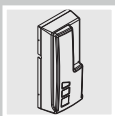
# Industrial Clean

## strong professional competence



### CUSTOMISED MAINTENANCE AND CONSUMPTIONS MANAGEMENT

The dust separator becomes the central control unit of the complete industrial system. The motors connected to the separator are adjusted by the electronic supervising board placed inside the separator, that manages its power and its start up, according to the user parameters. This procedure grants great flexibility, in a simple way.



### AUTOCLEANER OPTIONAL DEVICE

Our dust separator range is prepared for the installation of the Autocleaner optional device, either during the installation phase or later on, with no need of further operations.



Dust separator with Autocleaner



Connections (reversible) from either right or left side



### Central Unit Selection Table



piping network 80/100 mm Ø

The dust separators of the new Industrial Clean range are suitable for any industrial application. They should be combined with a piping network of the correct size suitable to manage the number of simultaneous operators requested.

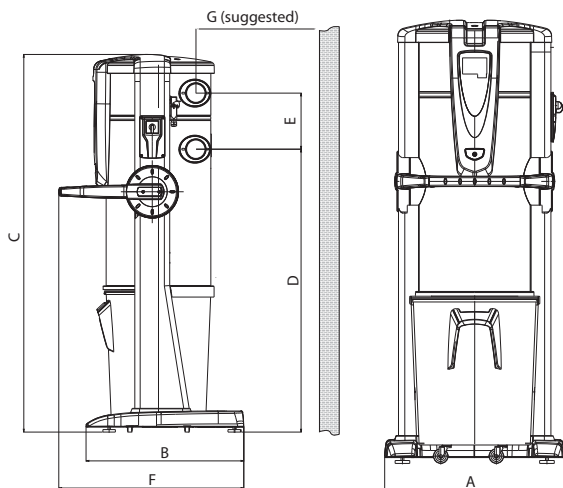
Additional characteristics:

- extreme reliability thanks to the vacuum breaker valve which prevents that the motor works in critical conditions;
- user-friendly display;
- basement coated with shockproof material;
- dust container with special low-effort opening device and soft touch handle.
- possibility to connect the unit to a PC with a specific software package to visualize the diagnostics (with an optional electronic interface board);



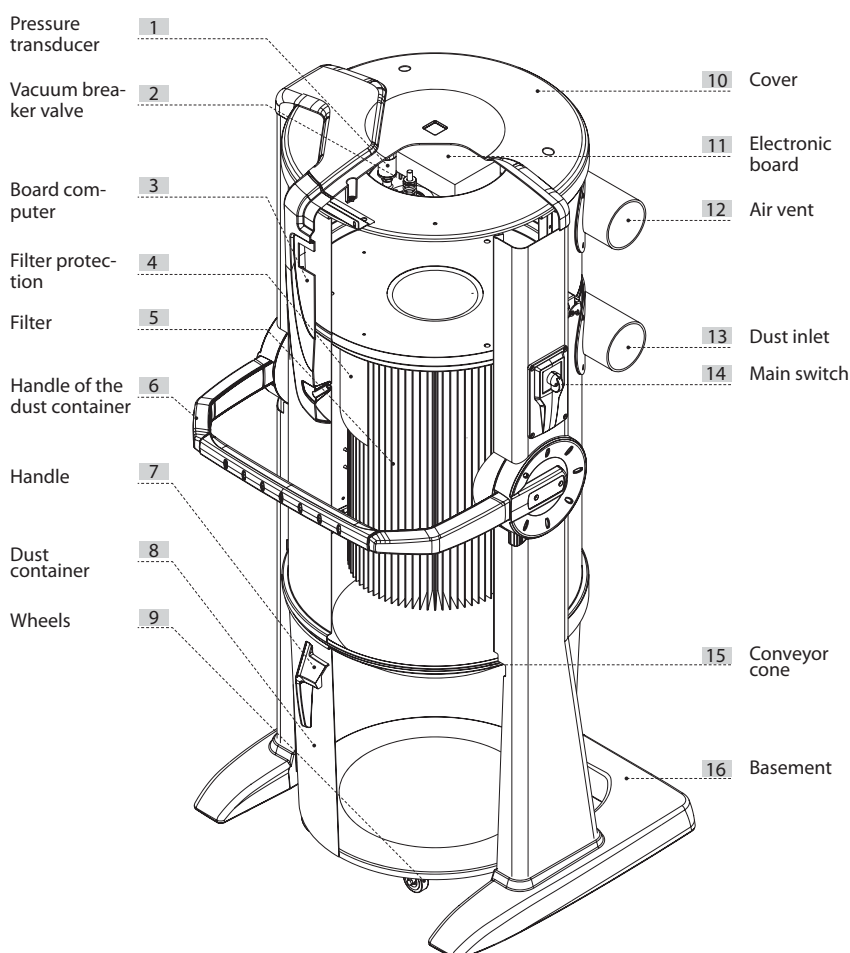
Maximum air flow	MODEL	ARTICLE	Max operators number with 32 Ø flex	Max operators number with 40 Ø flex	Maintenance computer	Dust container capacity (l)	Selfcleaning prearrangement	Filtering surface area (cm <sup>2</sup> )	Power supply (V ac)
Up to 700 m <sup>3</sup> /h	Industrial Clean Small	3400.0	4	3	YES	62	YES	24000	220/240
Up to 1200 m <sup>3</sup> /h	Industrial Clean Big	3400.1	8	4	YES	106	YES	43400	220/240

## MEASUREMENT TABLES AND TECHNICAL DATA



Model Article		Industrial Clean	
		Industrial Clean Small	Industrial Clean Big
		3400.0	3400.1
Software to manage motor		YES	YES
Vacuum breaker safety valve	Ø mm	YES	YES
Insulation level	IP	-	-
Power	V ac	220/240	220/240
Frequency	Hz	50/60	50/60
Maximum air flow	m <sup>3</sup> /h	700	1200
Filtering surface areas	cm <sup>2</sup>	24000	43400
Dust container capacity	l	62	106
Weight	kg	53	67
Measurement A	mm	615	750
Measurement B	mm	633	633
Measurement C	mm	1515	1616
Measurement D	mm	1135	1148
Measurement E	mm	281	281
Measurement F	mm	745	745
Measurement G	mm	500	500
Measurement M (air inlet )	mm	80	100
Measurement N (air outlet)	mm	80	100

## TECHNICAL FEATURES



The dust separators of the Industrial Clean series are designed and realized in conformity with all regulations in force and European directives but also take great care of functionality and easiness of use.

Additional features:

- possible connection of the pipes from the left or from the right;
- programmable computer to check and personalize the maintenance cycles with dedicated software which can signal that the dust container is full, the filter cartridge is to be cleaned and the motor needs maintenance;
- filter cartridge with large filtering surface, in filter class L, in polyester, washable;
- high capacity dust container with wheels that make its handling easy.



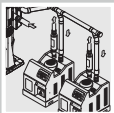


# Industrial Motor always reliable



## PROFESSIONAL PERFORMANCES

No time limit of running, 24 hours a day, ensuring always a considerable suction power.



## MODULAR SYSTEM

The different motors can be combined to reach the requested power, without any limit regarding the surface to be cleaned or the number of simultaneous operators.



## Blowing Motors selection table

The blowing motors of the new Industrial Motor range are suitable for any professional /industrial application with no limit regarding the surface to be cleaned or the number of simultaneous operators.

The piping network has to be realised according to the specific features of the installation (e.g. pipes dia-meter and dust to be vacuumed).

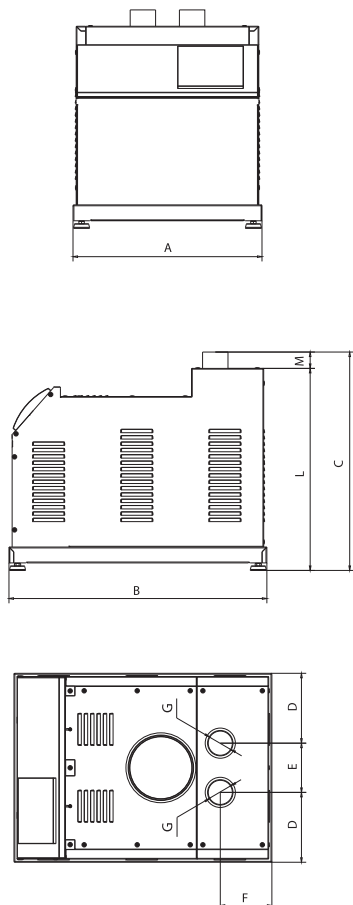
Additional characteristics:

- three phase industrial motors with maintenance free blowing device with side channels made of light alloy;
- serial board interface to connect every motor to the separator.



Maximum operators number	MODEL	ARTICLE	Speed electronic converter	Maximum air flow (m <sup>3</sup> h)	Motor Power (kW)	Power Supply phases (V ac)	Absorption (A)
1	Industrial Motor U1	<b>3500.1M</b>	NO	304	2,2	3 /400	5,1
	Industrial Motor U1 Matic	<b>3500.2M</b>	YES	366	2,2	3 /400	5,1
2	Industrial Motor U2	<b>3500.3M</b>	NO	304	4	3 /400	9,2
	Industrial Motor U2 Matic	<b>3500.4M</b>	YES	366	4	3 /400	9,2
3	Industrial Motor U3	<b>3500.5M</b>	NO	536	5,5	3 /400	11,3
	Industrial Motor U3 Matic	<b>3500.6M</b>	YES	740	5,5	3 /400	11,3
4	Industrial Motor U4 Matic	<b>3500.7M</b>	YES	914	7,5	3 /400	15,1

## MEASUREMENT TABLES AND TECHNICAL DATA

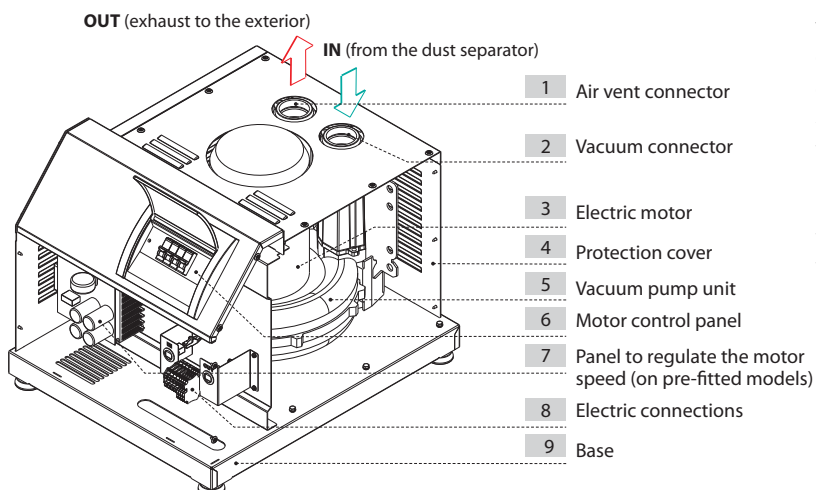


		Industrial Motor Line						
Model Article		U1	U1 Matic	U2	U2 Matic	U3	U3 Matic	U4 Matic
		3500.1M	3500.2M	3500.3M	3500.4M	3500.5M	3500.6M	3500.7M
Electronic speed converter		NO	YES	NO	YES	NO	YES	YES
Insulation level	IP	20	20	20	20	20	20	20
Power	Phase/V ac	3/400	3/400	3/400	3/400	3/400	3/400	3/400
Frequency	Hz	50/60	50/60	50/60	50/60	50/60	50/60	50/60
Motor power	kW	2,2	2,2	4	4	5,5	5,5	7,5
Absorption	A	5,1*	5,1	9,2*	9,2	11,3*	11,3	15,1
Socket supply	V dc	12	12	12	12	12	12	12
Maximum air flow	m <sup>3</sup> /h	304*	366	304*	366	536*	740	914
Air vent		YES	YES	YES	YES	YES	YES	YES
Weight	kg	58	68	79	89	110	120	125
Measurement A	mm	540	540	540	540	595	595	595
Measurement B	mm	660	660	660	660	812	812	812
Measurement C	mm	513	513	513	513	688	688	767
Measurement D	mm	207,5	207,5	207,5	207,5	220	220	206,5
Measurement E	mm	125	125	125	125	155	155	182
Measurement F	mm	108	108	108	108	162,5	162,5	130
Measurement G	mm	60	60	60	60	80	80	101,6
Measurement L	mm	507	507	507	507	636	636	715
Measurement M	mm	50	50	50	50	52	52	52
Noise level	dB(A)	60 ÷ 80						

(\*) Frequency 50 Hz

**N.B.:** Levels of nominal noise. The levels can vary according to the speed of use, environment where the central unit has been installed and the kind of installation.

## TECHNICAL FEATURES



The blowing motors of the Industrial Motor series are designed and realized in conformity with all regulations in force and European directives but also take great care of functionality, power and easiness of use.

Additional features:

- motor-pump group with professional motor with CE mark, IP 55 class, insulation class F, with integrated silencer.
- Circuit breaker near the control board.
- Electronic speed converter with self ventilation and safety system to protect the unit.

