



For surfaces  up to 120 m²



The connections to piping network, power supply and microline are made during the installation phase through the special template.



All connection are on the back of the central unit.



The system can be completed by plugging the central vacuum unit into the template, where all connections were previously wired.



With the accessory kit provided it is possible to perform all main cleaning activities in the house.

Selection table



IP44



1 operator

The compact central vacuum cleaner Sistem Cube was designed and realized for the use in domestic environments in which the available space is at a minimum, such as cupboards, basin cabinets or balconies. Thanks to the special piping network with reduced diameter it is possible to obtain a high vacuum power: the system cannot have more than three inlets.

Maximum surface	MODEL	ARTICLE	Maximum inlet valves	Operators maximum	Vacuum attachment Ø (mm)	Dust bag capacity (l)	Security filter	Power supply (V ac)	Motor power (kW)	Maximum air flow (m ³ /h)
Max 120 m ²	Sistem Cube	8300.0	3	1	40	5	YES	220/240	1	178



Installation possibilities of the compact vacuum cleaner Sistem Cube

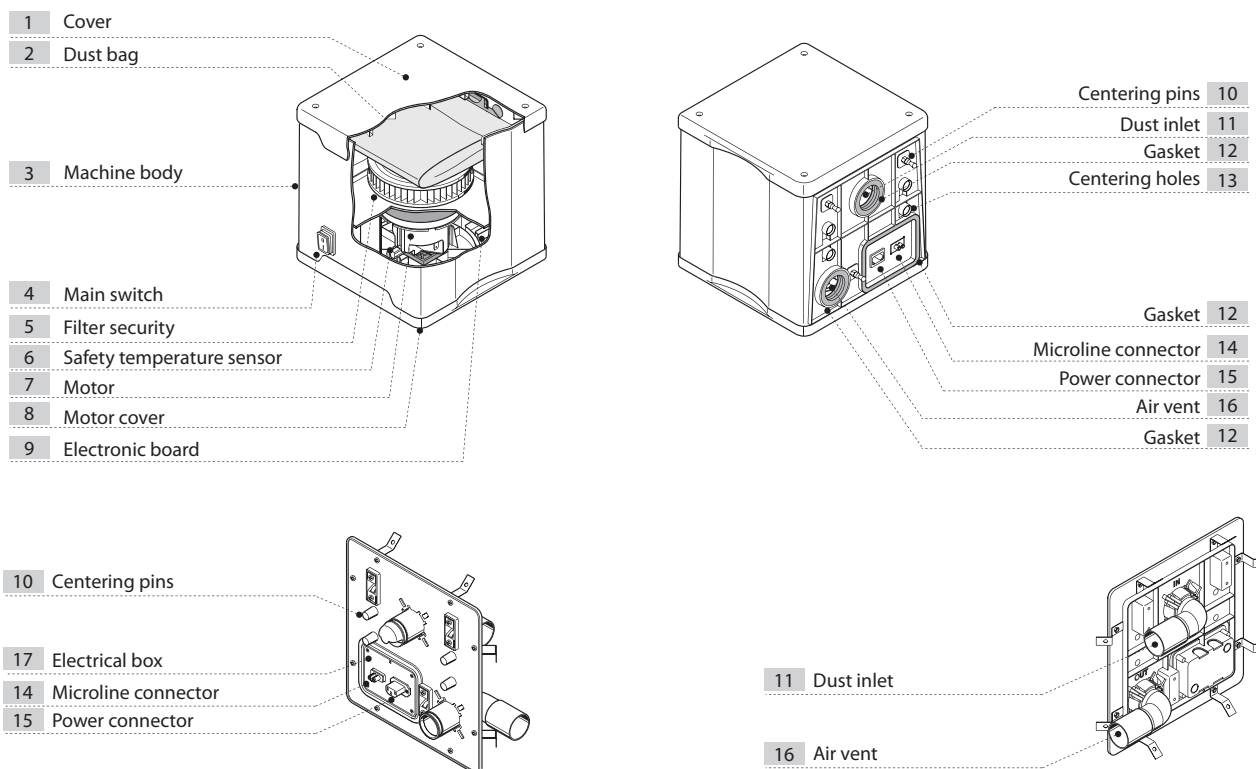


TECHNICAL FEATURES

The central vacuum cleaner Sistem Cube is designed and realized in conformity with all regulations in force and European directives but also takes great care of functionality, rationalization of the spaces, power and easiness of use.

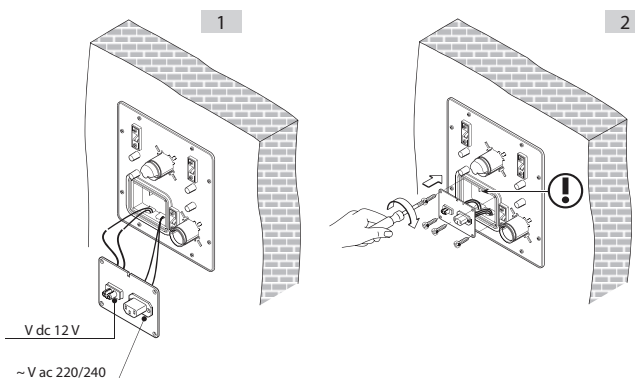
Additional features:

- pre-installation template for the connection to the piping network (inlet and outlet) with pre-wired electric connections;
- connection to the piping network from the left or the right;
- filtering bag made of paper, 5 l capacity;
- washable safety filter;
- single phase motor with brushes and direct cooling;
- safety temperature sensor which protects the motor with automatic stop and start in case of problems.

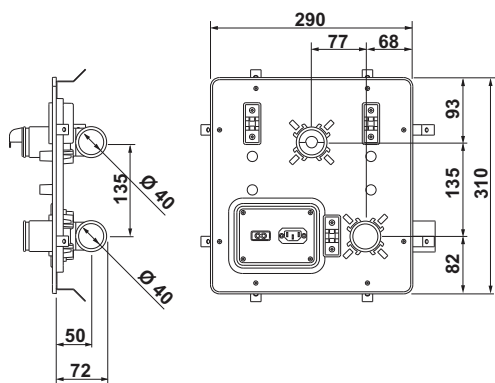
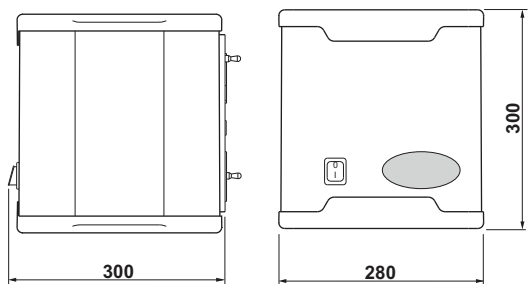


WIRING OF THE TEMPLATE

- 1 - Wire the connectors of the panel with the cables going out from the template.
- 2 - Screw the panel on the template taking care of the centring mark.



MEASUREMENTS AND TECHNICAL DETAILS



		Sistem Cube
Model Article		Sistem Cube 8300.0
Maximum number of operators		1
Maximum surface	m ²	120
Recommended inlets		3
Cleaning accessories Kit		YES
Power supply	V ac	220/240
Frequency	Hz	50/60
Motor power	kW	1
Absorption	A	4,5
Maximum capacity	m ³ /h	178
Supply sockets	V dc	12
Filter security		YES
Dust container capacity	l	5
Weight	Kg	4
Width	mm	290
Height	mm	310
Depth	mm	290
Dust inlet pipe	Ø mm	40
Air vent	Ø mm	40
Noise level lower than	dB(A)	70

N.B.: Levels of nominal noise. The levels can vary according to the speed of use, the environment where the central unit is installed and the kind of installation.

FIXING OF THE UNIT

The central unit Sistem CUBE is to be inserted in the special template (art. 8300.10) which was first wired. While inserting the unit it is important to make the centering pins match with the holes on the unit and on the template.

