

# FUMEX®

## ASR/ASRM 65 85 125

*Mechanical and motor-driven  
exhaust hose reel for worksites  
with stationary vehicles*



FUMEX provides a handy solution for work with stationary vehicles, where the hoses are out of the way when the extractor is not in use. The ASR/ ASRM is available in sizes to match and handle most types of vehicles. Suitable nozzles can be found on a separate leaflet.

The ASR has a mechanical spring return. For high ceilings and cases of long and heavy hoses, there is the ASRM, a motor-driven exhaust hose reel. A push-button or a remote control is used to roll and unroll the hose. Smooth and simple at the same time as it prevents work-related injury.

The hose reels are made in powder coated steel and sheet steel.

The ASR standard brackets allow for ceiling, wall or floor mounting. Hose dimensions are 75, 100, 125 and 150 mm. The hose reel is available in three widths and is standard equipped with a crush proof EPDM hose. Standard length of the hose is 5 m and longer hoses are available at 2.5 m intervals. In addition to the length of hose that can be rolled onto the reel, a part of the hose may also be kept hanging down.

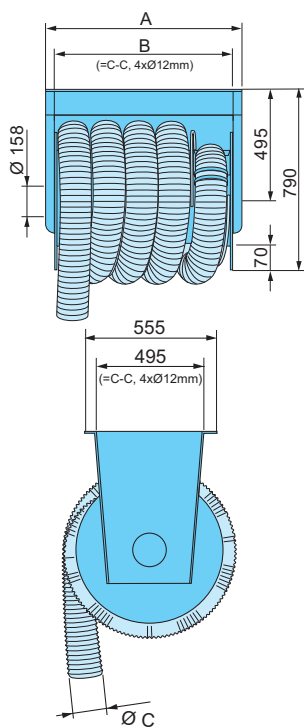
The ASR system can be equipped with an external switch, type ASR 865, for an automatic start/stop of a fan, automatic damper, etc.

The exhaust hose reel is connected to a separate fan or a central extractor system.



*The Fumex range also includes fans, accessories, automatic control gear and filters for local extraction*

VEHICLE EXHAUST  
Pure advantages



Designation		A	B	C	Hose length (m)	Drop (mm)
Manual return	Motor return			Ø		
Dimension Ø75mm						
ASR 65-75-5	ASRM 65-75-5	835	775	75	5	0
ASR 65-75-7,5	ASRM 65-75-7,5	835	775	75	7,5	0
ASR 65-75-10	ASRM 65-75-10	835	775	75	10	0
Dimension Ø100mm						
ASR 65-100-5	ASRM 65-100-5	835	775	100	5	0
ASR 65-100-7,5	ASRM 65-100-7,5	835	775	100	7,5	0
ASR 65-100-10	ASRM 65-100-10	835	775	100	10	1
Dimension Ø125mm						
ASR 65-125-5	ASRM 65-125-5	835	775	125	5	0
ASR 65-125-7,5	ASRM 65-125-7,5	835	775	125	7,5	0
ASR 85-125-10	ASRM 85-125-10	1135	1075	125	10	0
ASR 85-125-12,5	ASRM 85-125-12,5	1135	1075	125	12,5	0
ASR 125-125-15	ASRM 125-125-15	1415	1355	125	15	0
Dimension Ø150mm						
ASR 65-150-5	ASRM 65-150-5	835	775	150	5	0
ASR 85-150-7,5	ASRM 85-150-7,5	1135	1075	150	7,5	0
ASR 85-150-10	ASRM 85-150-10	1135	1075	150	10	1
ASR 125-150-12,5	ASRM 125-150-12,5	1415	1355	150	12,5	0
ASR 125-150-15	ASRM 125-150-15	1415	1355	150	15	0

<b>Accessory switches</b>	
<b>ASR 865</b>	Switch for control of 24V maximum
<b>Control devices</b>	
<b>ASRM-1</b>	Wall mounted push-button up/down
<b>ASRM-2</b>	Hanging switch
<b>ASRM RADIO</b>	Radio transmitter kit (transmitter/receiver)

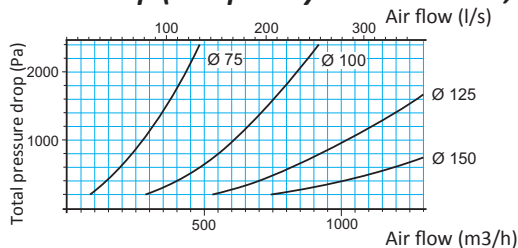
**ASR** = Hose reel with manual spring return

**ASRM** = Hose reel with motor return

*Note:*

1. At high ceilings, an extra hose may be kept hanging down.
2. At hose lengths over 12.5 m, motor drive is always recommended.

## Pressure drop (completely unrolled hose, 5 m)



## Exhaust gas volume

Vehicle cylinder volume	1000 rpm 120°C	3000 rpm 180°C	6000 rpm 210°C
Car 2,0 l	100 m³/h	300 m³/h	600 m³/h
Car 3,0 l	150 m³/h	450 m³/h	900 m³/h
Car 4,0 l	200 m³/h	600 m³/h	1100 m³/h
Vehicle cylinder volume	500 rpm 120°C	1250 rpm 180°C	2500 rpm 210°C
Truck 8,0 l	170 m³/h	440 m³/h	880 m³/h
Truck 15,0 l	330 m³/h	825 m³/h	1650 m³/h
Truck 20,0 l	440 m³/h	1100 m³/h	2200 m³/h

Systems are normally designed for stationary vehicles, but the air flow should be selected higher than stated exhaust gas flow. The system as a whole should be designed for a somewhat higher load than stated by minimum requirements.

### Hose

EPDM/polyester heat-resistant rubberised fabric.  
Spring steel coil completely embedded in EPDM-coated reinforcement.  
The hose will reshape after compression.  
For other hose qualities, contact FUMEX.

### Spring

Spiral spring

### Delivery design

Supplied complete with 5 m hose.  
For extra hose and nozzles, see separate leaflets

### Hose

Qualities.....Non-inflammable, crush recoverable, suitable for exhaust fumes.  
Temperature range..... -30°C to 170°C

### Motor for the ASRM

Power ..... 390 W  
Voltage..... 230 V ~ 50 Hz  
Push-button control, safety rate..... IP 44

### Other information

Surface treatment of metal..... Powder coating  
Weight without hose..... ASR 65: ca 47 kg  
ASR 85: ca 52 kg  
ASR 125: ca 57 kg

# FUMEX®

Verkstadsvägen 2, 931 61 SKELLEFTEÅ  
Skellefteå : Tel : 0910-361 80, Fax 0910-130 22  
www.fumex.se info@fumex.se