

EE10-T Series

HVAC Temperature Transmitter for Indoor Applications

EE10 room transmitters are the ideal solution for indoor applications such as HVAC in residential and official buildings.

The very stylish, functional housing makes possible easy installation and fast exchange of the sensing unit for service purposes.

The temperature output signal can be active or passive.

For on site display of the measured values the EE10 with active temperature output can be equipped with an easily readable display.



Typical Applications

building management for residential and office areas
switching cabinets
climate control in hotels and museums

Features

excellent price / performance ratio
easiest installation
modern design
optional display

Technical Data

Measuring Quantities

Temperature (active output)

Analogue output 0...50°C (32...122°F) ¹⁾

0-10 V

-1 mA < I_L < 1mA

4-20 mA (two wires)

R_L < (U_v-10)/0.02 < 500 Ohm

Accuracy at 20°C (68°F)

±0.3°C (±0.54°F)

Temperature (passive output)

Type of T-Sensor

please see ordering guide

General Data

Voltage supply (U_v)

for 0 - 10 V

15 - 40 VDC or 24 VAC ±20%

for 4 - 20 mA

28V DC > U_v > 10 + 0.02 x R_L (R_L < 500 Ohm)

Current consumption

for DC supply:

typical 4 mA

for AC supply:

typical 15 mA_{eff}

Electrical connection

Screw terminals max. 1.5 mm² (AWG 16)

Housing / Protection class

PC / IP20

Display

only for EE10-Tx version: temperature

CE compatibility according

EN 50081-1

FCC Part15 ClassB

EN 50082-1

ICES-003 ClassB



Temperature ranges

Working temperature range:

-5...55°C (23...131°F)

Working temperature with display:

-5...55°C (23...121°F)

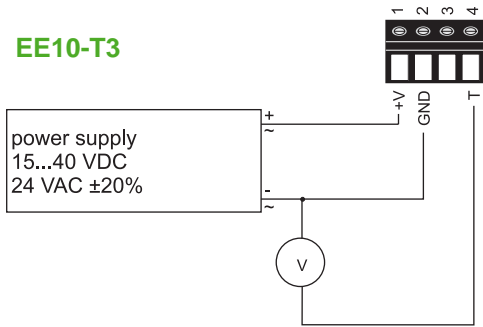
Storage temperature range:

-25...60°C (-13...140°F)

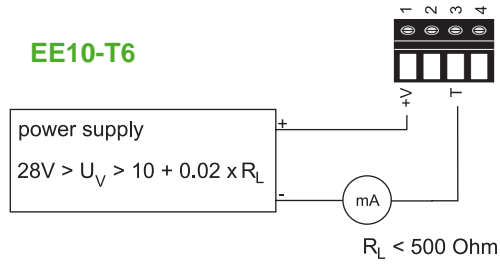
1) Other T-scalins refer to page 11

Connection Diagram

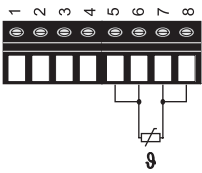
EE10-T3



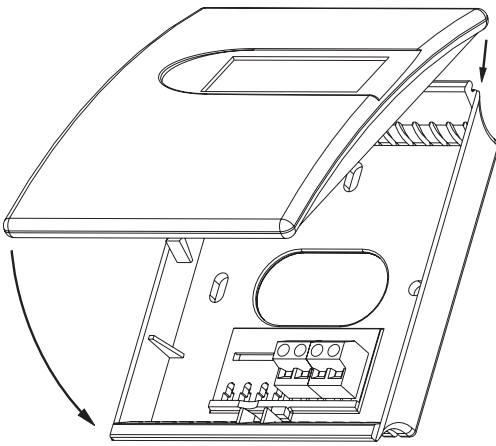
EE10-T6



EE10-P



Dimensions



W x H x D = 85 x 100 x 26 mm
 (3.3 x 3.9 x 1 inch)

Housing: PC
 Protection class: IP20

Housing colour: cover: RAL 9003 (signal white)
 back: RAL 7035 (light grey)

(other colours upon request)

Ordering Guide

Order Example

MODEL	OUTPUT	DISPLAY	T-Unit	T-SCALE
temperature active (T)	0-10V (3) 4-20 mA (6)	without display (--) with display (D04)	°C (--) °F (E01)	0...50 (T04) -5...55 (T31) 0...40 (T55) other (Txx)
EE10-				

MODEL	T-SENSOR
temperature passive (P)	Pt 100 DIN A (A) Pt 100 DIN B (B) Pt 1000 DIN A (C) Pt 1000 DIN B (D)
EE10-	

EE10-T6-D04-T04

Model: temperature transmitter
 Output: 4-20mA
 Display: with display
 T-Unit: °C
 T-scale: 0...50°C (32...122°F)

EE16-T Series

Temperature Transmitters for HVAC Applications

EE16 temperature transmitters are the ideal solution for accurate measurement of temperature in the range 0...50°C (32...122°F) in HVAC applications.

EE16 temperature transmitters are available as wall or duct mounted with current or voltage output signals.



Typical Applications

building-automation
 storage rooms
 climate and ventilation control

Features

excellent price/performance ratio

Technical Data

Measuring values

Temperature (active output)

Sensor	Pt1000 (class A, DIN EN 60751)	
Output appropriate 0...50°C (32...122°F)	0-10 V	-1 mA < I _L < 1 mA
	4-20 mA (two wire)	R _L < 500 Ohm
Accuracy at 20°C (68°F) ¹⁾	±0.3°C (±0.5°F)	

Temperature (passive output)

Type of T-Sensor	please see ordering guide	
------------------	---------------------------	--

General

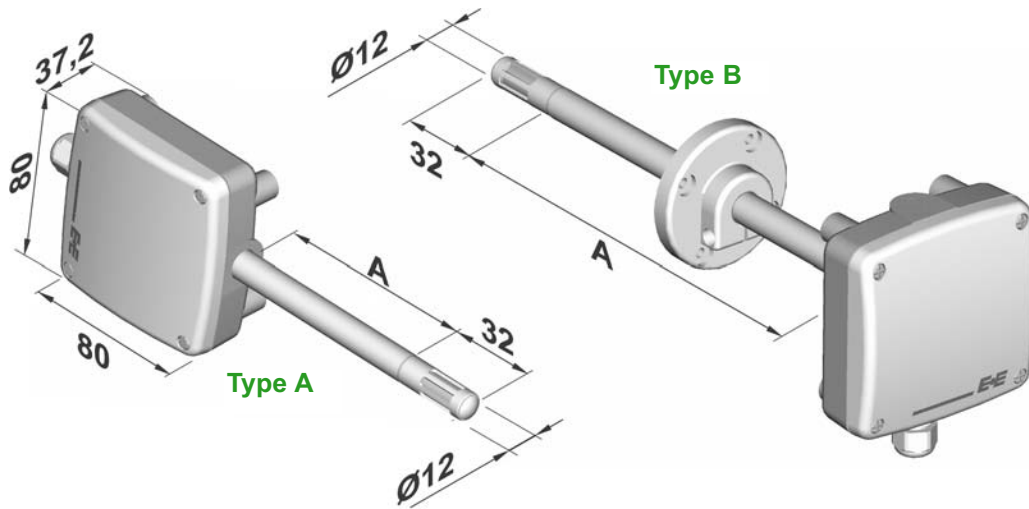
Supply voltage	15 - 35V DC or 24V AC ±20%	
for 0 - 10 V	10V + R _L x 20 mA < U _v < 35V DC	
for 4 - 20 mA		
Current consumption	for DC supply	typ. 8 mA
	for AC supply	typ. 20 mA _{eff}
Electrical connection	screw terminals max. 1.5 mm ² (AWG 16)	
Housing / protection class	Polycarbonat / IP65, Nema 4	
Cable gland	M16x1.5	cable Ø 4.5 - 10 mm (0.18 - 0.39")
Sensor protection	membrane filter or plastic grid	
Electromagnetic compatibility	EN 61000-6-1	ÖVE EN 61326-1+A1+A2
	EN 61000-6-3	
Temperature range	working temperature:	-5...50°C (23...122°F)
	storage temperature:	-25...60°C (-13...140°F)



1) Please note: temperature accuracy EE16-T6x2x: ±0.5°C (±0.9°F)

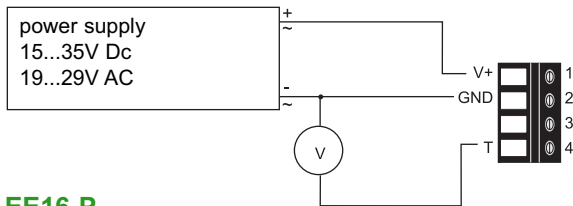
Dimensions (mm)

1 mm = 0.03937" / 1" = 25.4 mm

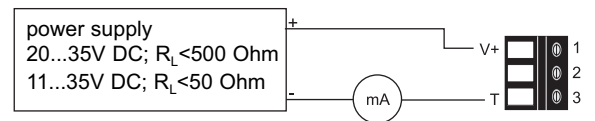


Connection Diagram

EE16-T3xxx



EE16-T6xxx



EE16-P



Ordering Guide

MODEL	OUTPUT	HOUSING	PROBE LENGTH (according to "A")	FILTER
temperature active (T)	0-10 V (3) 4-20 mA (6)	wall mounting (A) duct mounting (B)	50mm (1.9") (2) 200mm (7.9") (5)	membrane filter (1) plastic grid (4)
EE16-				

MODEL	T-SENSOR	HOUSING	PROBE LENGTH (according to "A")	FILTER
temperature passive (P)	Pt 100 DIN A (A) Pt 100 DIN B (B) Pt 1000 DIN A (C) Pt 1000 DIN B (D) others on request	wall mounting (A) duct mounting (B)	50mm (1.9") (2) 200mm (7.9") (5)	membrane filter (1) plastic grid (4)
EE16-				

Ordering Example

EE16-T3A21

model: temperature transmitter
output: 0-10 V
housing: wall mounting
probe length: 50mm (1.9")
filter: membrane filter