

Smuffo

Dehumidifier

R134a

R407C



R134a

Smuffo is harmless for the ozone layer because it uses R 134a or R407C, the ecological CFC-free refrigerant.

Features

Smuffo is a dehumidifier designed to remove excess humidity from room air. Smuffo is the ideal solution against condensation water, moulds and the health problems they bring, because it stops them at the source. The cabinet has a modern design and is completely white. The desired operating mode is selected by using the controls.

- **Effective:** Dries up damp walls and eliminates excess air humidity before it can condense on cold room surfaces.
- **Practical:** Portable and compact-sized, Smuffo fits in discreetly and requires very little maintenance. Clean the filter using a soft brush and hot, soapy water, and let dry before refitting. Condensate water is collected in an adequately sized tank or continuously removed by draining.

- **User friendly:** Simply plug Smuffo into a socket and set the desired functions. Coil defrosting is completely automatic. Smuffo will work quietly to improve your health.

Technical data

Mod.		DMF 12	DMF 20	DF 12	DF 12R	DF 20	DF 20R	DF 35	DF 35R
Moisture removed	l/24h	12	20	12	12	20	20	35	35
Capacity with electric heater	W	-	-	-	500	-	800	-	1000
♪ Sound pressure	max. dB(A)	41,5	41,5	42	42	48	48	48	48
Air flow rate	max. m ³ /h	100	125	180	180	240	240	300	300
	min. m ³ /h	78	98	140	140	170	170	230	230
Tank capacity	l	5,5	5,5	2,30	2,30	4	4	10	10
Total input power	W	250	400	250	750	370	1170	680	1680
Total input current	A	1,11	1,76	1,4	3,7	2,2	5,7	3,5	8,3
Refrigerant		R134a	R134a	R134a	R134a	R134a	R134a	R407C	R407C

Power supply = 1~ 230V 50Hz.

Performance values refer to the following conditions:

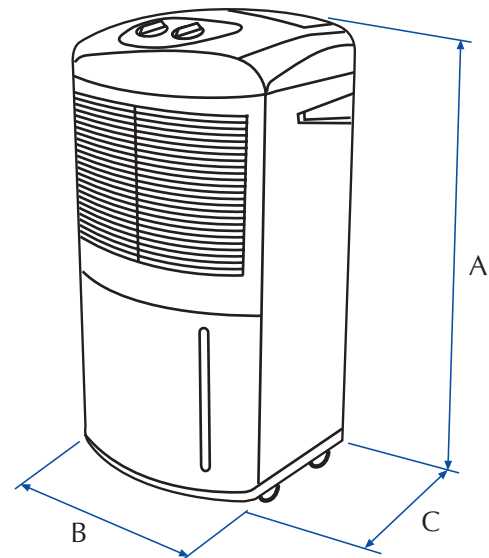
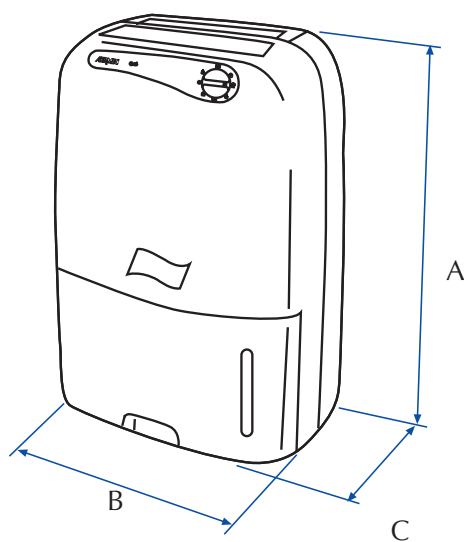
♪ Sound pressure measured at 3 meters.

Dehumidification:

DF - room air temperature 32 °C, relative humidity 80%.

DMF - room air temperature bs=30°C - room air temperature bu=27°C

Dimensions (mm)



		DMF 12	DMF 20	DF 12	DF 12R	DF 20	DF 20R	DF 35	DF 35R
Height	A	545	545	505	505	586	586	710	710
Width	B	380	380	250	250	300	300	350	350
Depth	C	261	261	240	240	300	300	360	360
Weight	kg	12,5	14	14	14	18,5	19	24,5	24,5