

## Optigo - Pre-programmed, stand-alone controllers

### Optigo - The controller for simple applications

Compact, economic and versatile stand-alone controllers

Optigo is a range of pre-programmed controllers for small applications, intended for DIN-rail mounting. The controllers are extremely easy to install, commission and control.

#### Operated with just a knob

Optigo has a knob with an encoder which makes the menu system very easy to use. You can read and set values shown in the backlit display. A value is confirmed by pressing the knob.

#### Timer

The timer handles e.g. night set-back, start or stop of fans during weekdays or during a day.

#### Quick and simple installation

Optigo is suitable for DIN-rail or cabinet mounting. Since the terminals are detachable, all connections can be made before the controller is installed.

#### OP5 and OP10

There are two Optigo models, OP5 and OP10. OP5 has 5 inputs/outputs and 24 V AC supply voltage. It has a choice of five different control modes:

- Temperature control
- CO<sub>2</sub> control
- Humidity control
- Pressure control
- Pressure control with outdoor compensation

OP10 has 10 inputs/outputs. It is available in versions with 24 V AC or 230 V AC supply voltage and has a choice of five different control modes:

- Supply air temperature control
- Supply air temperature control with outdoor compensation
- Cascade connected, room temperature influenced, supply air control
- Radiator circuit control with outdoor curve
- Domestic hot water control

READY STEADY GO



- Display with language-independent symbols
- Easy to configure
- Numeric/graphic backlit display
- Pre-loaded with multiple control modes
- Simple handling with a knob
- Input for an external setpoint device

Technical data	
Supply voltage	24 V AC $\pm$ 15 % OP10-230: 230 V AC
Power consumption	4 VA
Ambient temperature	0...50°C
Storage temperature	-40...+50°C
Ambient humidity	Max. 90 % RH
Mounting	DIN-rail, 7 modules
Protection class	IP20
Display	Backlit LCD, numeric/graphic
Dimensions (WxHxD)	123 x 123 x 60 mm, 7 modules
Clock (OP10 only)	Week-based 24-hour clock
Inputs	
Analogue inputs (AI)	PT1000
Digital inputs (DI)	Closing potential-free contact
Universal input (UI)	0...10 V DC or digital
Setpoint input (SPI)	For an external PT1000 setpoint device, e.g. TG-R4/PT1000 or TBI-PT1000
Outputs	
Analogue outputs (AO)	0...10 V DC, short-circuit protected
Digital outputs (OP10 and OP10-230 only)	Triac 24 V AC, 0.5 A (3-point control or alarm output) and one change-over relay 230 V AC, 5 A (fan start)

### Inputs/outputs (I/Os)

	OP5	OP10	OP10-230
AI	1	2	2
DI	1	2	2
UI	1	1	1
AO	2	2	2
DO	0	3	3
Total number of I/Os	5	10	10

Description	Supply voltage	Number of I/Os	Type
Controller	24 V AC	5	OP5
	24 V AC	10	OP10
	230 V AC	10	OP10-230

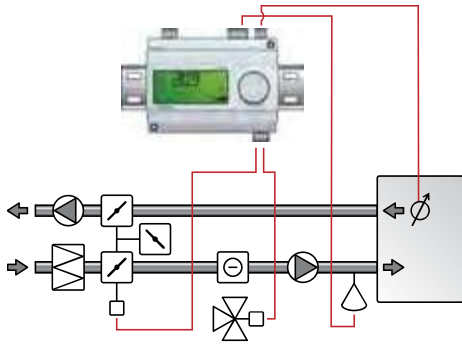
### Accessories for Optigo

See also the mounting kit FMCO for front mounting of Optigo and the plug-in terminal blocks PLTCE for simple wiring of Optigo when using FMCO. You will find these products in the chapter Accessories.

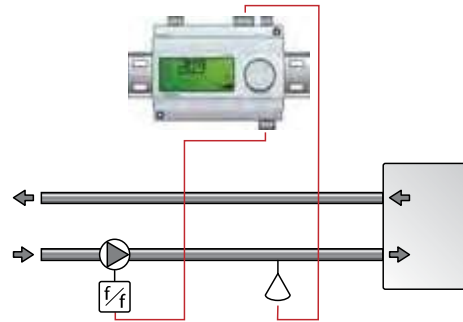
## Optigo applications

### Applications Optigo 5

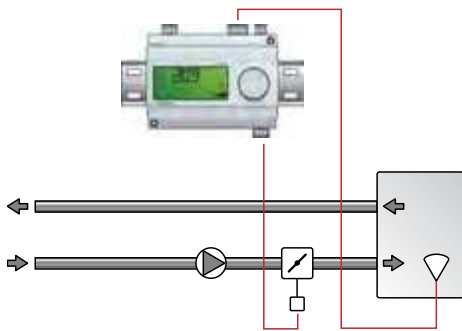
#### 1. Temperature control



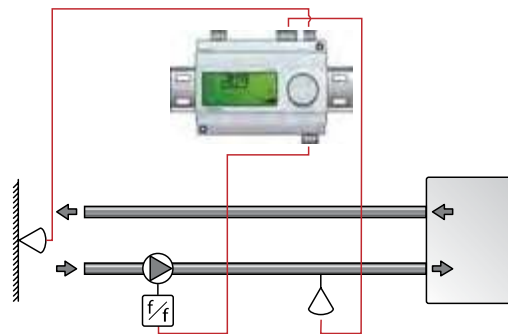
#### 4. Pressure control



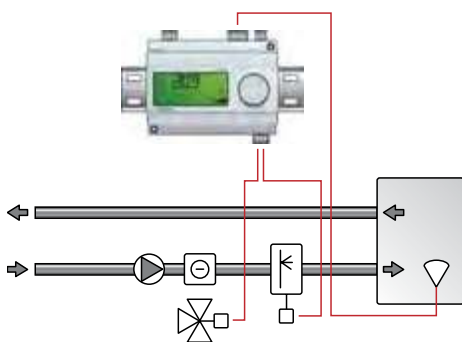
#### 2. CO<sub>2</sub> control



#### 5. Pressure control with outdoor compensation

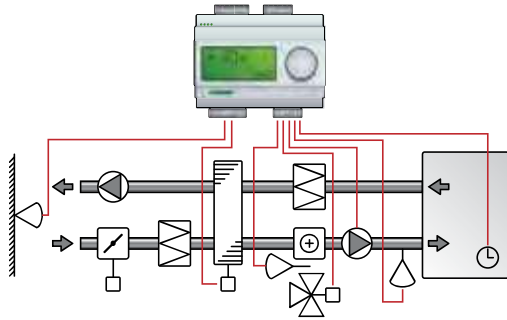


#### 3. Humidity control

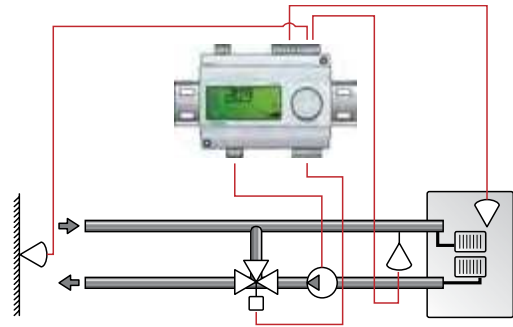


Applications Optigo 10

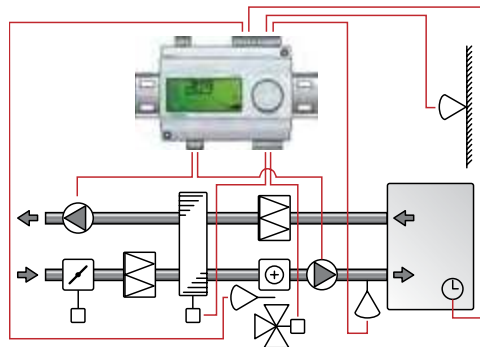
1. Supply air temperature control



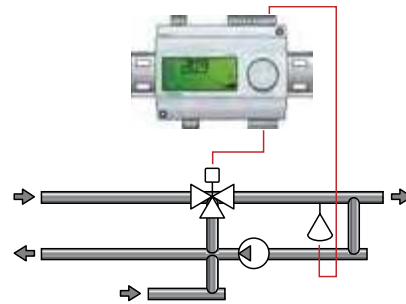
4. Radiator circuit control with outdoor curve



2. Supply air temperature control with outdoor compensation



5. Domestic hot water control



3. Cascade connected, room temperature influenced, supply air control

