

NXW Water cooled heat pump units heat pumps with scroll compressors Cooling capacity from 106 kW up to 385 kW Heating capacity from 119 kW up to 419 kW

R410A



Aermec adheres to the EUROVENT Certification Programme. The products concerned appear in the EUROVENT Certified Products Guide.



- **HIGH EFFICIENCY VERSION**
- **HEAT PUMPS WITH CYCLE REVERSE CYCLE**
- **POSSIBILITY TO HAVE 1 OR 2 PUMPS ON BOTH EVAPORATOR AND CONDENSER SIDE**
- **PRODUCTION OF HOT WATER UP TO 55°C**

Characteristics

NXW is the range of water-condensed heat pumps that function with R410A refrigerant. They are indoor units with hermetic scroll compressors which fully meet the needs of the commercial sector: top efficiency levels, easy to instal, reduced noise emissions.

Maximum energy efficiency

For years Aermec has been attentive to the energy efficiency issue, and has now designed the **NXW** units with the aim of ensuring high efficiency levels with both full and partial loads. The results are an **EER ≥ level of 5.05** and **COP ≥ at 4.45**

Versions available

NXW°: hydraulic side reversible heat pump

NXWH: gas side inversion heat pump

All models are available in the low noise version

Evaporator and/or condenser side pump unit

The machine can be supplied with a hydronic kit for both the evaporator and the condenser; each kit includes an assembled water filter, a low or high pressure pump, a flow switch, and a 25-litre user side expansion tank, thereby optimising space, time and installation costs. It is possible to request a second pump to operate in standby for the first with high or low pressure levels.

Sophisticated control

The **NXW** control is able to manage several functions:

- Management system for two chillers in parallel as Master & Slave configuration.
- Pumps Rotation.
- Inverter Condenser Pump to manage the condensing pressure.
- Adjustable Timer
- Automatic water set point compensation.
- Data loggin.

Construction characteristics:

- Structure and base in hot galvanised sheet metal, varnished with epoxy powders (RAL 9002)
- High efficiency plate heat exchangers
- Compressors with high capacity and low electricity consumption
- In conformity with EC safety directives and electromagnetic compatibility regulations. The safety of the device is guaranteed by the door-block disconnecting switch on the electrical panel, and by active protection elements on the main components
- The command can be accessed externally, with a user interface with monitor and the visualisation of all operational parameters in 4 languages
- Avant-garde adjustment system
- User-friendly remote control panel with alarm signalling

Accessories

- **AER485P1:** RS-485 interface for supervision systems with MODBUS protocol.
- **PGD1:** In addition to the control terminal on board the machine it self, **NXW** machines can also be equipped with an external PGD1 remote control terminal. PGD1 remote terminals provide the same functions as the on-board terminals (keyboard controls and display).
- **RIF:** current phase advancer. Parallel connection with the motor makes the reduction of input current possible (about 10%). This can only be installed when the machine is being made and must therefore be specified when the order is placed.
- **AVX:** sprung anti-vibration supports.
- **DRE:** Current soft starter device (about 30% reduction for single-circuit-units, 26% for two-circuit-units, 22% for three-circuit-units) Only available for 400V-3-phase power supply. It must be factory set

Compatibility of accessories

NXW	0500	0550	0600	0650	0700	0750	0800	0900	1000	1250	1400
AER485P1											
ALL	•	•	•	•	•	•	•	•	•	•	•
REMOTE CONTROL TERMINAL PGD1											
ALL	•	•	•	•	•	•	•	•	•	•	•
AVX											
°	319	319	301	301	301	303	310	314	316	316	315
° + 1 PUMP	320	320	320	320	320	312	651	665	653	654	654
° + 2 PUMPS	320	320	309	309	309	312	651	665	653	654	654
° + 3 PUMPS	320	320	309	309	309	312	651	665	653	654	654
° + 4 PUMPS	309	309	310	310	310	312	651	665	653	654	654
H	319	319	301	301	302	310	310	314	316	315	317
H + 1 PUMP	320	320	320	309	309	651	651	665	654	654	654
H + 2 PUMPS	320	320	303	309	311	651	651	665	654	654	654
H + 3 PUMPS	309	309	303	311	312	651	651	665	654	654	654
H + 4 PUMPS	309	309	312	312	312	651	651	665	654	654	654
L	309	309	310	303	303	310	314	314	315	315	317
L + 1 PUMP	321	321	311	311	651	651	652	653	654	659	659
L + 2 PUMPS	311	311	31	311	651	651	652	653	654	659	659
L + 3 PUMPS	311	311	312	312	651	651	652	653	654	659	659
L + 4 PUMPS	312	312	312	310	651	651	652	653	654	659	659
HL	309	309	310	303	304	314	314	315	317	317	318
HL + 1 PUMP	311	311	311	311	651	652	665	653	659	659	659
HL + 2 PUMPS	311	311	312	313	651	652	665	653	659	659	659
HL + 3 PUMPS	312	312	312	313	651	652	665	653	659	659	659
HL + 4 PUMPS	312	312	312	313	651	652	665	653	659	659	659
E	319	319	301	301	301	303	310	314	316	316	315
E + 1 PUMP	320	320	320	320	320	312	651	665	653	654	654
E + 2 PUMPS	320	320	309	309	309	312	651	665	653	654	654
E + 3 PUMPS	320	320	309	309	309	312	651	665	653	654	654
E + 4 PUMPS	309	309	310	310	310	312	651	665	653	654	654
LE	309	309	310	303	303	310	314	314	315	315	317
LE + 1 PUMP	321	321	311	311	651	651	652	653	654	659	659
LE + 2 PUMPS	311	311	31	311	651	651	652	653	654	659	659
LE + 3 PUMPS	311	311	312	312	651	651	652	653	654	659	659
LE + 4 PUMPS	312	312	312	310	651	651	652	653	654	659	659
T	303	303	310	310	310	314	652	315	322	322	322
LT	312	312	651	651	652	652	652	323	324	324	324
RIF											
ALL	RIF98	RIF98	RIF95	RIF95	RIF95	RIF95	RIF95	RIF95	RIF96	RIF97	RIF97
DRE											
ALL	DRE501	DRE551	DRE601	DRE651	DRE701	DRE751	DRE801	DRE901	DRE1001	DRE1251	DRE1401

Choice of unit

By suitably combining the numerous options available, it is possible to configure each model in such a way as to meet the most specific system requirements.

Field configurator:

1 2 3	4 5 6 7	8	9	10	11	12	13	14***	15 ***
Code	Size	Field of use	Model	Version	Evaporator	Heat recovery units	Power supply	Pumps Evaporator	Pumps Condenser

Code:

NXW

Size:

0500, 0550, 0600, 0650, 0700, 0750, 0800, 0900, 1000, 1250, 1400

Field of use:

- ° - Standard with processed water above +4°C
- Y - Low temperature with processed water up to -8°C
- X - Electronic thermostatic valve with processed water up to -8°C

Model:

- ° - heat pump with water side inversion
- H - heat pump with gas side cycle inversion

Version:

- ° - Standard
- L - Silenced

Evaporator:

- ° - Standard
- E - Condenserless unit (shipped with seal charge only)

Heat recovery units

- ° - Without recovery units
- D - With desuperheaters

T - With total heat recovery units

Power supply:

- ° - 400V 3~ 50Hz with thermomagnetic switches
- 4 - 230V 3~ 50Hz with thermomagnetic switches*
- 5 - 500V 3 50Hz with thermomagnetic switches**

Evaporator side pumps

- ° - without pumping assembly
- M - low pressure pump
- N - low pressure pump and reserve pump
- O - high pressure pump
- P - high pressure pump and reserve pump

Condenser side pumps

- ° - without pumping assembly
- U - low pressure pump
- V - low pressure pump and reserve pump
- W - high pressure pump
- Z - high pressure pump and reserve pump
- J - low pressure inverter pump
- K - high pressure inverter pump

Warning: the standard options are shown by the symbol °;
These combinations are not possible: YD, YT, HE, HT, ET,
 Twith evaporator or condenser side pumps

* only available for sizes 0500-0700; ** only available for sizes 0600-0650 and from 0800 to 1400

*** "evaporator" is the heat exchanger that works as such in cool mode;

"condenser" is the heat exchanger that works as such in heat mode

Technical data

Mod. NXW	vers	U.M.	0500	0550	0600	0650	0700
Cooling capacity	° - L	kW	112	121	149	167	189
Total input power		kW	22,2	23,9	29,5	32,9	37,3
Evaporator water flow rate	°-L	l/h	19264	20812	25628	28758	32458
Evaporator pressure drop	°-L	kPa	30	35	32	40	43
Condenser water flow rate	°-L	l/h	22892	24718	30449	34141	38548
Pressure drop at condenser	°-L	kPa	25	29	29	37	37
Heating capacity	° - L	kW	119	129	161	181	205
Total input power		kW	26,5	28,6	35,7	40,0	45,5
Condenser water flow rate	°-L	l/h	20468	22188	27692	31215	35195
Pressure drop at condenser	°-L	kPa	20	23	24	31	31
Evaporator water flow rate	°-L	l/h	16138	17515	21859	24681	27763
Evaporator pressure drop	°-L	kPa	21	25	23	29	31
ENERGY INDEXES							
EER	° - L	W/W	5,05	5,06	5,05	5,08	5,06
EEEC	° - L	---	A	A	A	A	A
ESEER	° - L	W/W	6,01	6,02	6,01	6,04	6,02
COP	° - L	W/W	4,49	4,51	4,51	4,54	4,50
ELECTRICAL DATA 400V 3 50Hz							
Input current (cooling)	° - L	A	48,3	50,6	58,4	63	86
Input current (heating)	° - L	A	54	57	66	72	94
Maximum current	° - L	A	75	80	96	107	122
Starting current	° - L	A	240	245	227	238	289
CHARGE							
Refrigerant R410A(C1- C2) [1]	° - L	kg	6-6	6-6	7,8-7,8	7,8-7,8	9-9
COMPRESSOR SCROLL							
N° compressors/circuits		n°/n°	3/2	3/2	4/2	4/2	4/2
EVAPORATOR (plate)							
Quantity	° - L	n°				1	
Hydraulic connection Victaulic		Ø	2"1/2	2"1/2	2"1/2	2"1/2	2"1/2
CONDENSER PLATE							
Quantity	° - L	n°				1	
Hydraulic connection Victaulic		Ø	2"1/2	2"1/2	2"1/2	2"1/2	2"1/2
EVAPORATOR SIDE PUMPS							
Evaporator useful head* LP	M, N	kPa	91	82	70	89	69
Evaporator useful head * HP	O, P	kPa	181	173	167	213	191
CONDENSER SIDE PUMPS							
Condenser useful head * LP	U, V, J	kPa	86	76	92	67	111
Condenser useful head * HP	W, Z, K	kPa	188	171	155	188	161
SOUND DATA							
Sound power	°	dB(A)	78	79	79	80	82
Sound pressure	°	dB(A)	46	47	47	48	50
Sound power	L	dB(A)	72	73	73	74	76
Sound pressure	L	dB(A)	40	41	41	42	44

[1] This data is subject to variations.

* Performance values refer to cooling mode

Performance values refer to the following conditions:

 In cooling mode:

- Processed water temperature 7 °C
- Condenser inlet water temperature 30 °C
- Δt = 5 °C

 In heating mode:

- Processed water temperature 45 °C
- Evaporator inlet water temperature 10 °C
- Δt = 5 °C
- Power Supply = 400V 3~ 50 Hz.

♪ Aermec determines the sound power value on the basis of measurements taken in accordance with standard 9614-2, in compliance with the Eurovent certification.

Technical data

Mod. NXW	vers	U.M.	0750	0800	0900	1000	1250	1400
Cooling capacity	°-L	kW	223	258	292	326	355	385
Total input power		kW	43,6	50,4	57,8	64,5	70,3	76,1
Evaporator water flow rate	°-L	l/h	38392	44325	50188	56050	61097	66142
Evaporator pressure drop	°-L	kPa	47	49	55	35	36	36
Condenser water flow rate	°-L	l/h	45511	52565	59629	66594	72590	78585
Pressure drop at condenser	°-L	kPa	45	60	38	29	34	36
Heating capacity	°-L	kW	242	279	318	356	388	419
Total input power		kW	53,5	61,8	70,4	79,2	86,2	93,2
Condenser water flow rate	°-L	l/h	41595	47995	54638	61281	66656	72030
Pressure drop at condenser	°-L	kPa	38	50	32	25	29	30
Evaporator water flow rate	°-L	l/h	32850	37904	43140	48340	52574	56807
Evaporator pressure drop	°-L	kPa	34	36	41	26	27	27
ENERGY INDEXES								
EER	° - L	W/W	5,12	5,11	5,05	5,05	5,05	5,05
EEEC	° - L	---	A	A	A	A	A	A
ESEER	° - L	W/W	6,05	6,03	6,02	6,06	6,05	6,06
COP	° - L	W/W	4,52	4,52	4,51	4,50	4,50	4,50
ELECTRICAL DATA								
400V 3 50Hz								
Input current (cooling)	° - L	A	94	102	120	138	140	143
Input current (heating)	° - L	A	105	115	135	154	160	165
Maximum current	° - L	A	146	169	193	217	231	248
Starting current	° - L	A	319	341	398	422	490	504
CHARGE								
Refrigerant R410A(C1- C2) [1]	° - L	kg	10-10	12-12	16-16	24-24	25 -25	27-27
COMPRESSOR								
SCROLL								
N° compressors/circuits		n°/n°	4/2	4/2	4/2	4/2	4/2	4/2
EVAPORATOR (plate)								
Quantità	° - L	n°			1			
Hydraulic connection Victaulic		Ø	2"1/2	2"1/2	2"1/2	3"	3"	3"
CONDENSER								
PLATE								
Quantity	° - L	n°			1			
Hydraulic connection Victaulic		Ø	2"1/2	2"1/2	2"1/2	3"	3"	3"
EVAPORATOR SIDE PUMPS								
Evaporator useful head * LP	M, N	kPa	102	86	68	74	102	88
Evaporator useful head * HP	O, P	kPa	152	180	166	177	167	158
CONDENSER SIDE PUMPS								
Condenser useful head * LP	U, V, J	kPa	88	99	104	93	69	128
Condenser useful head * HP	W, Z, K	kPa	182	158	168	215	190	166
SOUND DATA								
Sound power	°	dB(A)	86	88	88	88	90	90
Sound pressure	°	dB(A)	54	56	56	56	58	58
Sound power	L	dB(A)	80	82	82	82	84	84
Sound pressure	L	dB(A)	48	50	50	50	52	52

[1] This data is subject to variations.

Performance values refer to the following conditions:

 In cooling mode:

- Processed water temperature 7 °C
- Condenser inlet water temperature 30 °C
- Δt = 5 °C

 In heating mode:

- Processed water temperature 45 °C
- Evaporator inlet water temperature 10 °C
- Δt = 5 °C
- Power Supply = 400V 3~ 50 Hz.

* Performance values refer to cooling mode

♪ Aermec determines the sound power value on the basis of measurements taken in accordance with standard 9614-2, in compliance with the Eurovent certification.

Technical data

Mod. NXW	vers	U.M.	0500	0550	0600	0650	0700
Cooling capacity	H - HL	kW	106	114	141	160	181
Total input power		kW	23,2	25,0	30,3	34,2	38,9
Evaporator water flow rate	H -HL	l/h	18232	19608	24252	27496	31095
Evaporator pressure drop	H - HL	kPa	17	20	19	24	24
Condenser water flow rate	H - HL	l/h	22023	23693	29203	33089	37444
Pressure drop at condenser	H - HL	kPa	25	29	28	35	35
Heating capacity	H - HL	kW	121	131	160	181	203
Total input power		kW	27,2	29,4	35,9	40,4	45,5
Condenser water flow rate	H - HL	l/h	20812	22532	27520	31088	34982
Pressure drop at condenser	H - HL	kPa	20	23	24	31	31
Evaporator water flow rate	H - HL	l/h	16138	17515	21859	24681	27763
Evaporator pressure drop	H - HL	kPa	22	26	24	31	30
ENERGY INDEXES							
EER	H - HL	W/W	4,57	4,56	4,65	4,67	4,65
EEEC		---	C	C	B	B	B
ESEER		W/W	5,73	5,71	5,76	5,85	5,76
COP	H - HL	W/W	4,45	4,46	4,46	4,47	4,47
ELECTRICAL DATA				400V 3 50Hz			
Input current (cooling)	H - HL	A	49	52	60	65	87
Input current (heating)	H - HL	A	54	57	66	72	94
Maximum current		A	75	80	96	107	122
Starting current		A	240	245	227	238	289
CHARGE							
Refrigerant R410A(C1- C2) [1]	H - HL	kg	6,5-6,5	6,5-6,5	8,5-8,5	8,5-8,5	10,0-10,0
COMPRESSOR				SCROLL			
N° compressors/circuits		n°/n°	3/2	3/2	4/2	4/2	4/2
EVAPORATOR (plate)				PLATE			
Quantity	H - HL	n°	1				
Hydraulic connection Victaulic		Ø	2"1/2	2"1/2	2"1/2	2"1/2	2"1/2
CONDENSER				PLATE			
Quantity	H - HL	n°	1				
Hydraulic connection Victaulic		Ø	2"1/2	2"1/2	2"1/2	2"1/2	2"1/2
EVAPORATOR SIDE PUMPS							
Evaporator useful head * LP	M, N	kPa	107	102	88	110	95
Evaporator useful head * HP	O, P	kPa	202	192	183	235	217
CONDENSER SIDE PUMPS							
Condenser useful head * BP	U, V, J	kPa	90	81	100	75	120
Condenser useful head * HP	W, Z, K	kPa	191	176	161	196	170
SOUND DATA							
Sound power μ H		dB(A)	78	79	79	80	82
Sound pressure H		dB(A)	46	47	47	48	50
Sound power μ HL		dB(A)	72	73	73	74	76
Sound pressure HL		dB(A)	40	41	41	42	44

[1] This data is subject to variations.

Performance values refer to the following conditions:

 In cooling mode:

- Processed water temperature 7 °C
- Condenser inlet water temperature 30 °C
- Δt = 5 °C

 In heating mode:

- Processed water temperature 45 °C
- Evaporator inlet water temperature 10 °C
- Δt = 5 °C
- Power Supply = 400V 3~ 50 Hz.

* Performance values refer to cooling mode

μ Aermec determines the sound power value on the basis of measurements taken in accordance with standard 9614-2, in compliance with the Eurovent certification.

Technical data

Mod. NXW	vers	U.M.	0750	0800	0900	1000	1250	1400
Cooling capacity	H - HL	kW	212	243	278	314	342	370
Total input power		kW	45,5	52,0	60,4	68,8	74,7	80,6
Evaporator water flow rate	H - HL	l/h	36431	41768	47876	53985	58831	63676
Evaporator pressure drop	H - HL	kPa	29	38	24	19	22	24
Condenser water flow rate	H - HL	l/h	43858	50272	57750	65229	71038	76847
Pressure drop at condenser	H - HL	kPa	42	55	36	28	32	34
Heating capacity	H - HL	kW	240	276	314	353	386	419
Total input power		kW	53,8	62,1	70,6	79,2	86,7	94,1
Condenser water flow rate	H - HL	l/h	41249	47515	54090	60665	66348	72030
Pressure drop at condenser	H - HL	kPa	38	50	32	25	29	30
Evaporator water flow rate	H - HL	l/h	32850	37904	43140	48340	52574	56807
Evaporator pressure drop	H - HL	kPa	37	49	31	24	28	30
ENERGY INDEXES								
EER	H - HL	W/W	4,66	4,67	4,61	4,56	4,58	4,59
EEEC		---	B	B	C	C	C	C
ESEER		W/W	5,79	5,64	5,72	5,85	5,77	5,80
COP	H - HL	W/W	4,46	4,45	4,45	4,45	4,45	4,45
ELECTRICAL DATA 400V 3 50Hz								
Input current (cooling)	H - HL	A	95	104	122	140	144	147
Input current (heating)	H - HL	A	105	115	135	154	160	165
Maximum current		A	146	169	193	217	231	248
Starting current		A	319	341	398	422	490	504
CHARGE								
Refrigerant R410A(C1- C2) [1]	H - HL	kg	11,0-11,0	13,0-13,0	18,0-18,0	27,0-27,0	27,0-27,0	29,0-29,0
COMPRESSOR SCROLL								
N° compressors/circuits		n°/n°	4/2	4/2	4/2	4/2	4/2	4/2
EVAPORATOR (plate)								
Quantity	H - HL	n°			1			
Hydraulic connection		Ø	2"1/2	2"1/2	3"	3"	3"	3"
Victaulic								
CONDENSER PLATE								
Quantity	H - HL	n°			1			
Hydraulic connection		Ø	2"1/2	2"1/2	3"	3"	3"	3"
Victaulic								
EVAPORATOR SIDE PUMPS								
Evaporator useful head * LP	M, N	kPa	131	102	104	95	121	108
Evaporator useful evaporator * HP	O, P	kPa	182	194	200	197	185	175
CONDENSER SIDE PUMPS								
Condenser useful head * LP	U, V, J	kPa	94	109	111	99	76	135
Condenser useful head * HP	W, Z, K	kPa	187	166	174	221	198	176
SOUND DATA								
Sound power \updownarrow	H	dB(A)	86	88	88	88	90	90
Sound pressure	H	dB(A)	54	56	56	56	58	58
Sound power \updownarrow	HL	dB(A)	80	82	82	82	84	84
Sound pressure	HL	dB(A)	48	50	50	50	52	52

[1] This data is subject to variations.

Performance values refer to the following conditions:

- In cooling mode:
 - Processed water temperature 7 °C
 - Condenser inlet water temperature 30 °C
 - $\Delta t = 5 \text{ °C}$

- In heating mode:
 - Processed water temperature 45 °C
 - Evaporator inlet water temperature 10 °C
 - $\Delta t = 5 \text{ °C}$
 - Power Supply = 400V 3~ 50 Hz.

* Performance values refer to cooling mode

\updownarrow Aermec determines the sound power value on the basis of measurements taken in accordance with standard 9614-2, in compliance with the Eurovent certification.

Technical data

Mod. NXW	vers	U.M.	0500	0550	0600	0650	0700	0750	0800	0900	1000	1250	1400
Cooling capacity	E - EL	kW	105	113	139	156	177	209	241	273	305	332	360
Total input power		kW	24,9	26,8	33,0	36,9	41,7	48,8	56,5	64,7	72,3	78,8	85,3
Evaporator water flow rate	E - EL	l/h	18031	19480	23988	26918	30381	35935	41488	46976	52463	57187	61909
Evaporator pressure drop	E - EL	kPa	26	31	28	35	38	41	43	48	31	32	32
ENERGY INDEX													
EER	E - EL	W/W	4,22	4,23	4,22	4,24	4,23	4,28	4,27	4,22	4,22	4,22	4,22
ELECTRICAL DATA 400V 3 50Hz													
Input current (cooling)	E - EL	A	54,1	56,7	65,4	70,6	96,3	105,3	114,2	134,4	154,6	156,8	160,2
Maximum current		A	75	80	96	107	122	146	169	193	217	231	248
Starting current		A	240	245	227	238	289	319	341	398	422	490	504
CHARGE													
Refrigerant R410A(C1C2) [*]	E - EL	kg	ONLY WITH A WATERTIGHT CHARGE										
COMPRESSOR SCROLL													
N° compressors/circuits		n°/n°	3/2		4/2								
EVAPORATOR (plate)													
Quantity	E - EL	n°	1										
Hydraulic connection		Ø	2"1/2	2"1/2	2"1/2	2"1/2	2"1/2	2"1/2	2"1/2	2"1/2	3"	3"	3"
CONDENSER PLATE													
Quantity	E - EL	n°	1										
Hydraulic connection		Ø	2"1/2	2"1/2	2"1/2	2"1/2	2"1/2	2"1/2	2"1/2	2"1/2	3"	3"	3"
SOUND DATA													
Sound power	♪ E	dB(A)	78	79	79	80	82	86	88	88	88	90	90
Sound pressure		dB(A)	46	47	47	48	50	54	56	56	56	58	58
Sound power	♪ EL	dB(A)	72	73	73	74	76	80	82	82	82	84	84
Sound pressure		dB(A)	40	41	41	42	44	48	50	50	50	52	52

[[1] This data is subject to variations.

Performance values refer to the following conditions:

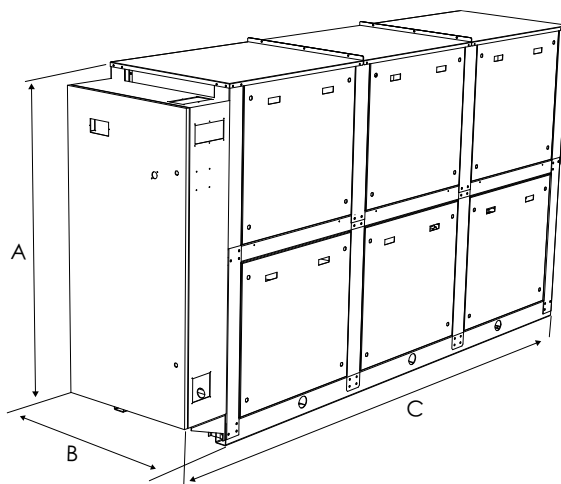
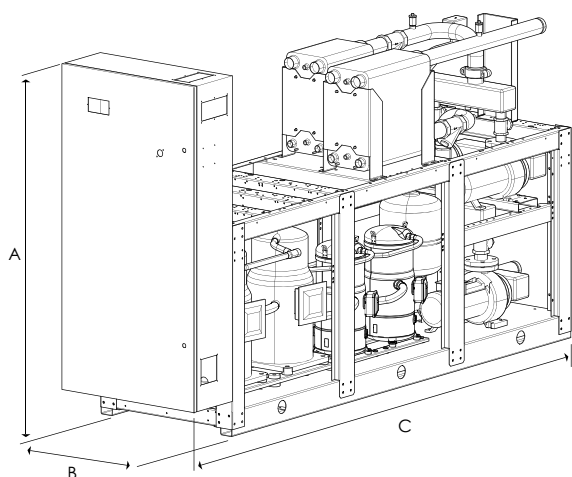
■ In cooling mode:

- Processed water temperature 7 °C
- Condenser inlet water temperature 30 °C
- Δt = 5 °C

* Performance values refer to cooling mode

♪ Aermec determines the sound power value on the basis of measurements taken in accordance with standard 9614-2, in compliance with the Eurovent certification.

Dimensions (mm)



Mod. NXW	vers	U.M.	0500	0550	0600	0650	0700	0750	0800	0900	1000	1250	1400
Height(A)	°	mm	1835	1835	1835	1835	1835	1775	1775	1820	1820	1820	1820
Width(B)	°	mm	800	800	800	800	800	800	800	800	800	800	800
Depth(C)	°	mm	1790	1790	1790	1790	1790	2090	2354	2354	2354	2354	2354
Weight	°	kg	578	582	682	690	727	882	989	1180	1417	1461	1539
Height(A)	L	mm	1885	1885	1885	1885	1885	1885	1885	1885	1885	1885	1885
Width(B)	L	mm	800	800	800	800	800	800	800	800	800	800	800
Depth(C)	L	mm	2090	2090	2090	2090	2090	2090	2354	2354	2354	2354	2354
Weight	L	kg	750	755	854	863	900	1054	1187	1378	1615	1659	1737
Height(A)	Pumps °	mm	1775	1775	1775	1775	1775	1775	1775	1850	1850	1850	1850
Width(B)	Pumps °	mm	800	800	800	800	800	800	800	800	800	800	800
Depth(C)	Pumps °	mm	3020	3020	3020	3020	3020	3020	3420	3420	3420	3420	3420
Height(A)	Pumps L	mm	1885	1885	1885	1885	1885	1885	1885	1885	1885	1885	1885
Width(B)	Pumps L	mm	800	800	800	800	800	800	800	800	800	800	800
Depth(C)	Pumps L	mm	3020	3020	3020	3020	3020	3020	3420	3420	3420	3420	3420
Height(A)	H	mm	1835	1835	1835	1835	1835	1775	1775	1820	1820	1820	1820
Width(B)	H	mm	800	800	800	800	800	800	800	800	800	800	800
Depth(C)	H	mm	1790	1790	1790	1790	1790	2090	2354	2354	2354	2354	2354
Weight	H	kg	628	633	734	743	791	948	1042	1275	1545	1577	1657
Height(A)	H - L	mm	1885	1885	1885	1885	1885	1885	1885	1885	1885	1885	1885
Width(B)	H - L	mm	800	800	800	800	800	800	800	800	800	800	800
Depth(C)	H - L	mm	2090	2090	2090	2090	2090	2090	2354	2354	2354	2354	2354
Weight	H - L	kg	801	805	907	915	963	1121	1240	1473	1743	1775	1855
Height(A)	Pumps H	mm	1775	1775	1775	1775	1775	1775	1775	1850	1850	1850	1850
Width(B)	Pumps H	mm	800	800	800	800	800	800	800	800	800	800	800
Depth(C)	Pumps H	mm	3020	3020	3020	3020	3020	3020	3420	3420	3420	3420	3420
Height(A)	Pumps H - L	mm	1885	1885	1885	1885	1885	1885	1885	1885	1885	1885	1885
Width(B)	Pumps H - L	mm	800	800	800	800	800	800	800	800	800	800	800
Depth(C)	Pumps H - L	mm	3020	3020	3020	3020	3020	3020	3420	3420	3420	3420	3420
Height(A)	E	mm	1835	1835	1835	1835	1835	1775	1775	1775	1820	1820	1820
Width(B)	E	mm	800	800	800	800	800	800	800	800	800	800	800
Depth(C)	E	mm	1790	1790	1790	1790	1790	2090	2354	2354	2354	2354	2354
Height(A)	E - L	mm	1885	1885	1885	1885	1885	1885	1885	1885	1885	1885	1885
Width(B)	E - L	mm	800	800	800	800	800	800	800	800	800	800	800
Depth(C)	E - L	mm	2090	2090	2090	2090	2090	2090	2354	2354	2354	2354	2354

The technical data in this documentation are not binding. Aermec S.p.A. shall have the right to introduce at any time whatever modifications deemed necessary for the improvement of the product.

Aermec S.p.A.
Via Roma, 996 - 37040 Bevilacqua (VR) - Italy
Telephone 0442633111 - Telefax 044293730
www.aermec.com