

FW-R

Water-cooled air conditioners with capacities from 3 to 4.5 kW

R407C



Aermec adheres to the EUROVENT Certification Programme. The products concerned appear in the EUROVENT Certified Products Guide.



FW-R series integrated system air conditioners are independent appliances designed and built to create and maintain optimum room comfort conditions.

Discreetly and elegantly styled, these remarkably quiet units are ideal for installation in the home or commercial premises.

Equipped with a water-cooled condenser, FW-R appliances perform all typical cooling, dehumidification, ventilation and air filtration functions while offering particular benefits in terms of ease of application and installation.

Suitable also for winter operation when equipped with an electric heater or hot water coil; console air conditioners are able to provide different microclimates within the same room because each appliance can be adjusted independently; low running costs are assured by fast arrival at the required room temperature because of the low thermal inertia of the system; quiet operation and thermal efficiency are also promoted by the heat and sound insulation of the compressor bay. All appliances are factory assembled and individually tested.

Features

- High efficiency rotary compressor
- Compact size
- Quiet operation
- Automatic temperature adjustment
- Reduced water consumption
- Low electrical power consumption

Accessories

- **BR**: Armoured heating element with safety thermostat.
- **BVR**: Single row hot water coil.

Compatibility of accessories		
FW	137 R	167 R
BR 26	✓	✓
BVR 1	✓	✓

Technical data

Mod.	FW	137 R	167 R
Cooling capacity	W (max.) (E)	3000	4500
	W (med.)	2640	3750
	W (min.)	2120	3010
Input power (E)	W	870	1250
Input current	A	4.1	6
Water coil heating capacity	W	4350	5200
Water flow rate at coil	l/h	600	600
Water coil pressure drops	kPa	12.6	12.6
Electric heating capacity	W	1200	1200
Fans	n.	2	2
Air flow rate	m ³ /h (max.)	470	690
	m ³ /h (med.)	390	525
	m ³ /h (min.)	270	375
Fan speed	rpm (max.)	800	1140
	rpm (med.)	660	885
	rpm (min.)	500	665
♪ Sound pressure	dB (A)	44	47.5
Water consumption at 16°C	l/h	150	210
Condenser pressure drops	kPa	3.9	6.6
Refrigerant charge	kg	0.95	1.05
Peak current	A	23	33.5
Water connections	∅	1/2"	1/2"

Power supply = 1~ 230V 50Hz.

(E) Eurovent certified performance values.

Performance values refer to the following conditions:

♪ Sound pressure measured in an 85 m³ semi-reverberant test chamber with reverberation time Tr = 0.5s.

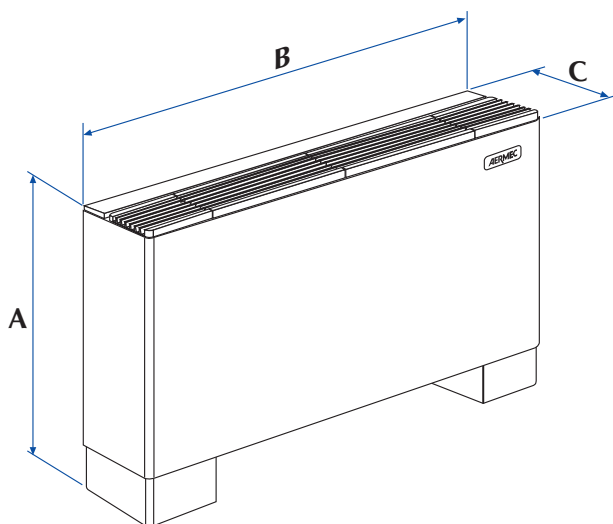
■ Cooling:

- room air temperature 27 °C D.B., 19 °C W.B.;
- maximum speed.

Heating:

- room air temperature 20 °C;
- water inlet temperature 70 °C;
- maximum speed.

Dimensions (mm)



		FW 137 R	FW 167 R
Height	A	723	723
Width	B	1121	1121
Depth	C	242	242
Weight	kg	63	67