

# Beck.

## The factory-set pressure switches.



# Pressure switch 901

with factory-set pressure setting



## Application

Factory-set pressure switch monitoring overpressure, vacuum or differential pressure of liquid and gaseous – also aggressive – media.

Pressure setting and switching differential are factory-set by the manufacturer.

## Temperature range

Ambient temperature from  $-20^{\circ}\text{C}$  to  $85^{\circ}\text{C}$ .  
Temperature of media up to  $85^{\circ}\text{C}$  or  $130^{\circ}\text{C}$  depending on material of pressure connection and diaphragm.

## Diaphragm material

Depending on media NBR, Silicone, FKM (Viton®), EPDM.  
For 901.30 Silicone, others upon request.

## Electrical rating

Values indicated for resistive load

AgCdO-contacts: 6 (1.5) A/250 VAC  
2 A/24 VDC

Gold-plated contacts: 100 mA/24 VAC  
30 mA/24 VDC

AgCdO-contacts up to 10 A/250 VAC can be supplied upon request.

## Electrical connection

AMP connection 6.3 mm x 0.8 mm DIN 46244.

## Pressure connection

Type	Tube connection			Threaded connection					
	5.0 mm FS	6.5 mm FS	10.0 mm FS	M 10 x1	G 1/8	M 10 x1	G 1/8	G 1/4	G 1/2
901.1x	PA	PA PPS	PA PPS	PA PVDF	PA PVDF	CuZn40 V <sub>2</sub> A	CuZn40 V <sub>2</sub> A	CuZn40 PVDF/V <sub>2</sub> A	CuZn40
901.2x	PA	PA PPS	PA PPS	PA PVDF	PA PVDF	CuZn40 V <sub>2</sub> A	CuZn40 V <sub>2</sub> A	CuZn40 PVDF/V <sub>2</sub> A	CuZn40
901.30		PA							
901.41						CuZn40 V <sub>2</sub> A	CuZn40 V <sub>2</sub> A	CuZn40 V <sub>2</sub> A	CuZn40
901.51						CuZn40 V <sub>2</sub> A	CuZn40 V <sub>2</sub> A	CuZn40 V <sub>2</sub> A	

PA = polyamide, PVDF = polyvinylidene fluoride, PPS = polyphenylsulfide, CuZn40 = brass, FS = fastening spring

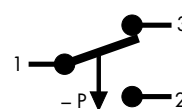
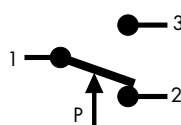
For temperature above  $85^{\circ}\text{C}$  brass, PVDF or PPS pressure connection is required. Upon request pressure connections of other sizes, other plastics or stainless steel are available.

Viton® is a registered trademark of DuPont Dow Elastomers.

## Arrangement of contacts

for 901.1x, 901.30,  
901.41, 901.51

only for 901.2x



## Approvals

CE conformance according to EC Low Voltage Directive 73/23/EEC. Product types tested by TÜV Südwest.

## Life

Minimum  $10^6$  cycles.

## Damping

Restrictors alternatively with 0.3/0.5/0.8 mm diameter.

## Accessories

Various mounting brackets and protection caps with IP 44, IP 54 and IP 65.

## Mounting position

Mounting in any position, to be specified for settings below 100 mbar.



### Overpressure range

Type	Factory-set trip pressure		Standard switching differential		Tolerance band in % of trip pressure	Maximum positive working pressure standard/ extended	Maximum negative working pressure standard/ extended
	between	and	lower end of range	upper end of range			
901.1x	5 mbar	200 mbar	2.5 mbar	50 mbar	±10 %	0.5/4 bar	-/-1 bar
	200 mbar	1.000 mbar	50 mbar	150 mbar	±10 %	1/4 bar	-/-1 bar
901.41	500 mbar	3.000 mbar	200 mbar	600 mbar	±10 %	10 bar	-1 bar
901.51	1.0 bar	12 bar	0.2 – 0.5 bar	1.0 – 2.0 bar	±10 %	25 bar	-1 bar

### Vacuum range

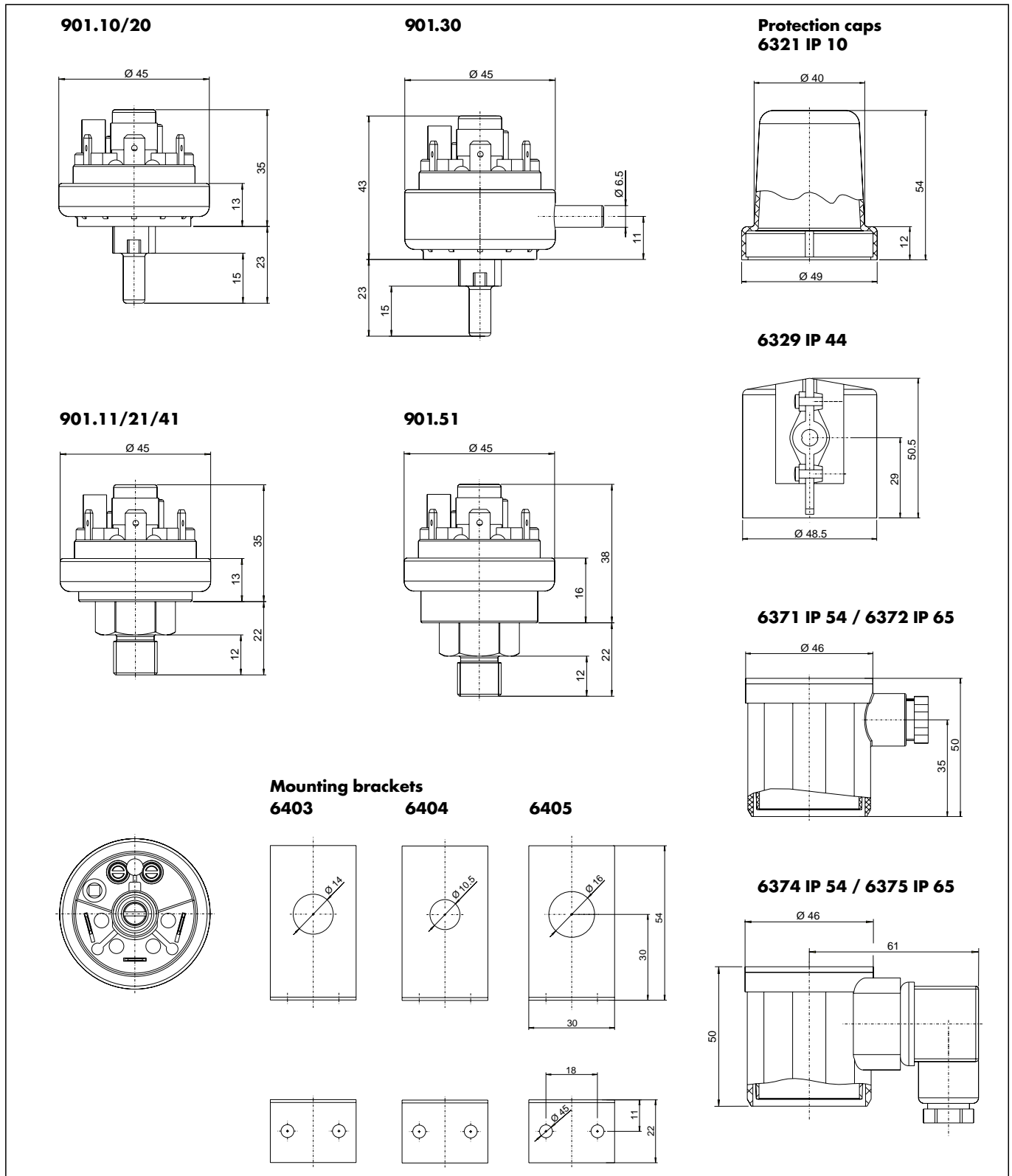
Type	Factory-set trip pressure		Standard switching differential		Tolerance band in % of trip pressure	Maximum positive working pressure standard/ extended	Maximum negative working pressure standard/ extended
	between	and	lower end of range	upper end of range			
901.2x	- 5 mbar	- 200 mbar	2.5 mbar	50 mbar	±10 %	0.5/4 bar	-1 bar
	- 200 mbar	- 900 mbar	50 mbar	150 mbar	±10 %	1/4 bar	-1 bar

### Differential pressure range

Type	Factory-set trip pressure		Standard switching differential		Tolerance band in % of trip pressure	Maximum positive working pressure standard/ extended	Maximum negative working pressure standard/ extended
	between	and	lower end of range	upper end of range			
901.30	5 mbar	50 mbar	2.5 mbar	25 mbar	±10 %	100 mbar	-100 mbar

# Pressure switch 901

with factory-set pressure setting



Beck GmbH  
 Druckkontrolltechnik  
 P.O. Box 11 31  
 D-71140 Steinenbronn  
 Telephone +49 (71 57) 52 87-0  
 Telefax +49 (71 57) 52 87-83  
 e-mail sales@beck-sensors.com  
 http://www.beck-sensors.com

# Beck.

**The adjustable  
pressure switches Prescal®.**



# Pressure switch 901 Prescal®

with adjustable setting

## Application

Adjustable pressure switch monitoring overpressure, vacuum or differential pressure of liquid and gaseous – also aggressive – media.

The pressure switch uses a scaled adjustment knob to enable the adjustment of trip and reset pressure without the use of a screwdriver.

## Temperature range

Ambient temperature from  $-20^{\circ}\text{C}$  to  $85^{\circ}\text{C}$ .  
Temperature of media from  $85^{\circ}\text{C}$  or  $130^{\circ}\text{C}$  depending on material of pressure connection and diaphragm.

## Diaphragm material

Depending on media NBR, Silicone, FKM (Viton®), EPDM.  
For 901.8x Silicone, others upon request.

## Electrical rating

Values indicated for resistive load

AgCdO-contacts: 6 (1.5) A/250 VAC  
2 A/24 VDC  
Gold-plated contacts: 100 mA/24 VAC  
30 mA/24 VDC

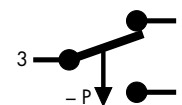
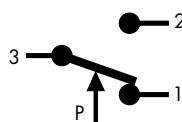
## Electrical connection

AMP connection 6.3 mm x 0.8 mm DIN 46244.

## Arrangement of contacts

for 901.6x, 901.8x,  
901.9x

only for 901.7x



## Approvals

CE conformance according to EC Low Voltage Directive 73/23/EEC. For Type 901.61 to 901.65 with brass pressure connection CE conformance according to EC Gas Appliance Directive 90/396/EEC.

## Life

Minimum  $10^6$  cycles.

## Damping

Restrictors alternatively with 0.3/0.5/0.8 mm diameter.

## Accessories

Various mounting brackets and protection caps with IP 44, IP 54 and IP 65.

## Mounting position

Mounting in any position, to be specified for settings below 100 mbar.

## Pressure connection

Type	Tube connection			Threaded connection					
	5.0 mm FS	6.5 mm FS	10.0 mm FS	M 10 x1	G 1/8	M 10 x1	G 1/8	G 1/4	G 1/2
901.61–65	PA	PA PPS	PA PPS	PA PVDF	PA PVDF	CuZn40 V <sub>2</sub> A	CuZn40 V <sub>2</sub> A	CuZn40 V <sub>2</sub> A	CuZn40
901.66–68						CuZn40 V <sub>2</sub> A	CuZn40 V <sub>2</sub> A	CuZn40 V <sub>2</sub> A	CuZn40
901.71–76	PA	PA PPS	PA PPS	PA PVDF	PA PVDF	CuZn40 V <sub>2</sub> A	CuZn40 V <sub>2</sub> A	CuZn40 V <sub>2</sub> A	
901.77–78						CuZn40 V <sub>2</sub> A	CuZn40 V <sub>2</sub> A	CuZn40 V <sub>2</sub> A	CuZn40
901.8x		PA							
901.91–93						CuZn40	CuZn40 V <sub>2</sub> A	CuZn40 V <sub>2</sub> A	

PA = polyamide, PVDF = polyvinylidendifluoride, PPS = polyphenylensulfide, CuZn40 = brass, FS = fastening spring

For temperature above  $85^{\circ}\text{C}$  brass, PVDF or PPS pressure connection is required. Upon request pressure connections of other sizes, other plastics or stainless steel are available.

Viton® is a registered trademark of DuPont Dow Elastomers.  
Prescal® is a registered trademark of Beck GmbH Druckkontrolltechnik.



### Overpressure range

Type	Adjustment range for trip pressure		Tolerance band in % of	Switching differential	Maximum positive working pressure	
	from	to			standard/extended	standard/extended
901.61	5	20 mbar	± 10 %	3 mbar	0.5/4 bar	-/-1 bar
901.62	10	50 mbar	± 10 %	5 mbar	0.5/4 bar	-/-1 bar
901.63	25	100 mbar	± 10 %	10 mbar	0.5/4 bar	-/-1 bar
901.64	50	250 mbar	± 10 %	20 mbar	1/4 bar	-/-1 bar
901.65	100	500 mbar	± 10 %	50 mbar	1/4 bar	-/-1 bar
901.66	250	1.000 mbar	± 10 %	150 mbar	10 bar	-1 bar
901.67	500	1.500 mbar	± 10 %	250 mbar	10 bar	-1 bar
901.68	1.000	3.000 mbar	± 10 %	500 mbar	10 bar	-1 bar
901.91	1.0	6.0 bar	± 10 %	0.5 – 2.0 bar	25 bar	-1 bar
901.92	4.0	9.0 bar	± 10 %	0.5 – 2.0 bar	25 bar	-1 bar
901.93	7.0	12.0 bar	± 10 %	0.5 – 2.0 bar	25 bar	-1 bar

### Vacuum range

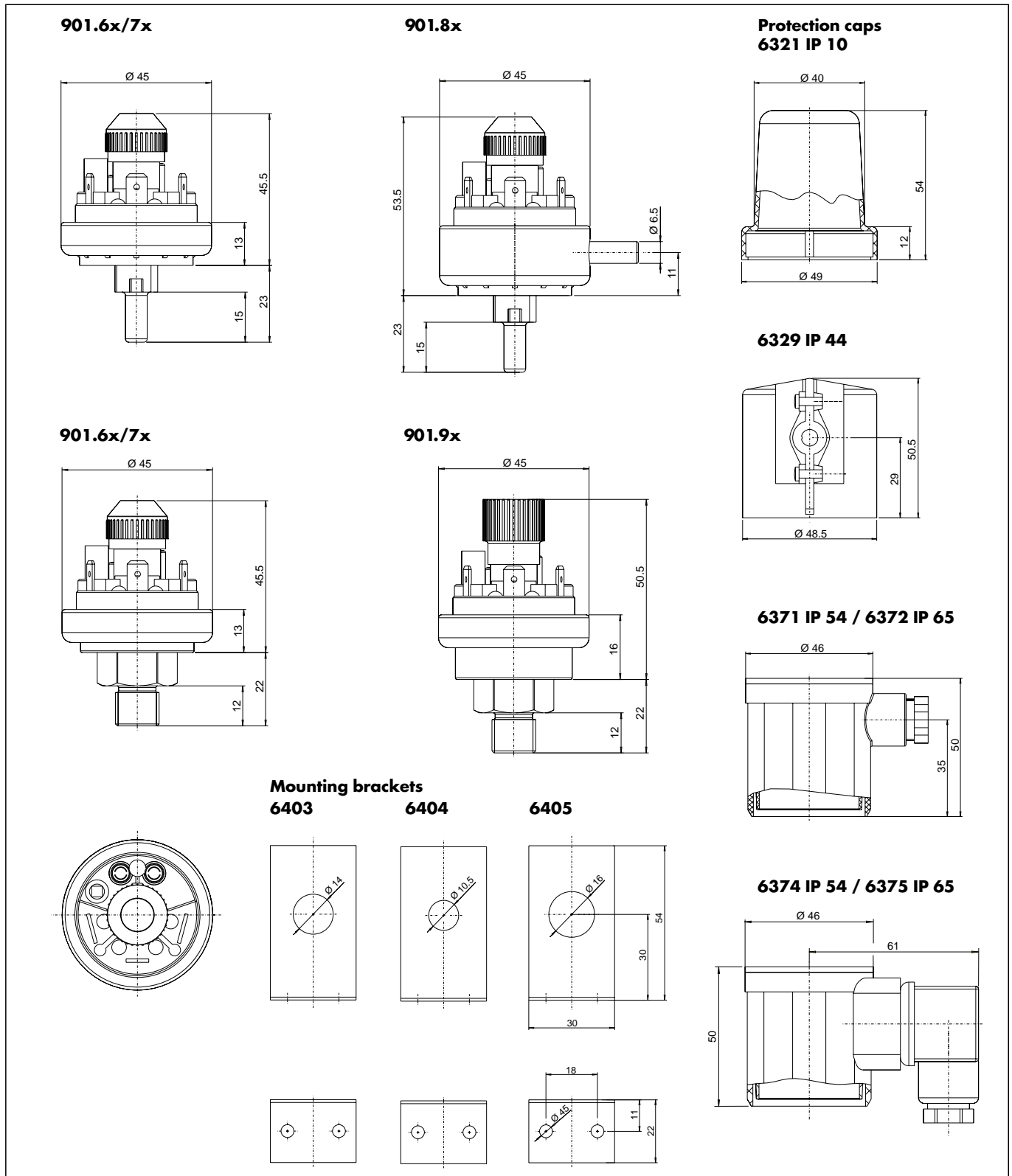
901.71	- 5	- 20 mbar	± 10 %	3 mbar	0.5/4 bar	-1 bar
901.72	- 10	- 50 mbar	± 10 %	5 mbar	0.5/4 bar	-1 bar
901.73	- 25	- 100 mbar	± 10 %	10 mbar	0.5/4 bar	-1 bar
901.74	- 50	- 125 mbar	± 10 %	20 mbar	0.5/4 bar	-1 bar
901.75	- 75	- 200 mbar	± 10 %	25 mbar	1/4 bar	-1 bar
901.76	- 100	- 300 mbar	± 10 %	30 mbar	1/4 bar	-1 bar
901.77	- 200	- 500 mbar	± 10 %	75 mbar	1/4 bar	-1 bar
901.78	- 300	- 700 mbar	± 10 %	75 mbar	1/4 bar	-1 bar

### Differential pressure range

901.81	5	20 mbar	± 10 %	3 mbar	100 mbar	-100 mbar
901.82	10	50 mbar	± 10 %	5 mbar	100 mbar	-100 mbar

# Pressure switch 901 Prescal®

with adjustable setting



Beck GmbH  
 Druckkontrolltechnik  
 P.O. Box 11 31  
 D-71140 Steinenbronn  
 Telephone +49 (71 57) 52 87-0  
 Telefax +49 (71 57) 52 87-83  
 e-mail sales@beck-sensors.com  
<http://www.beck-sensors.com>