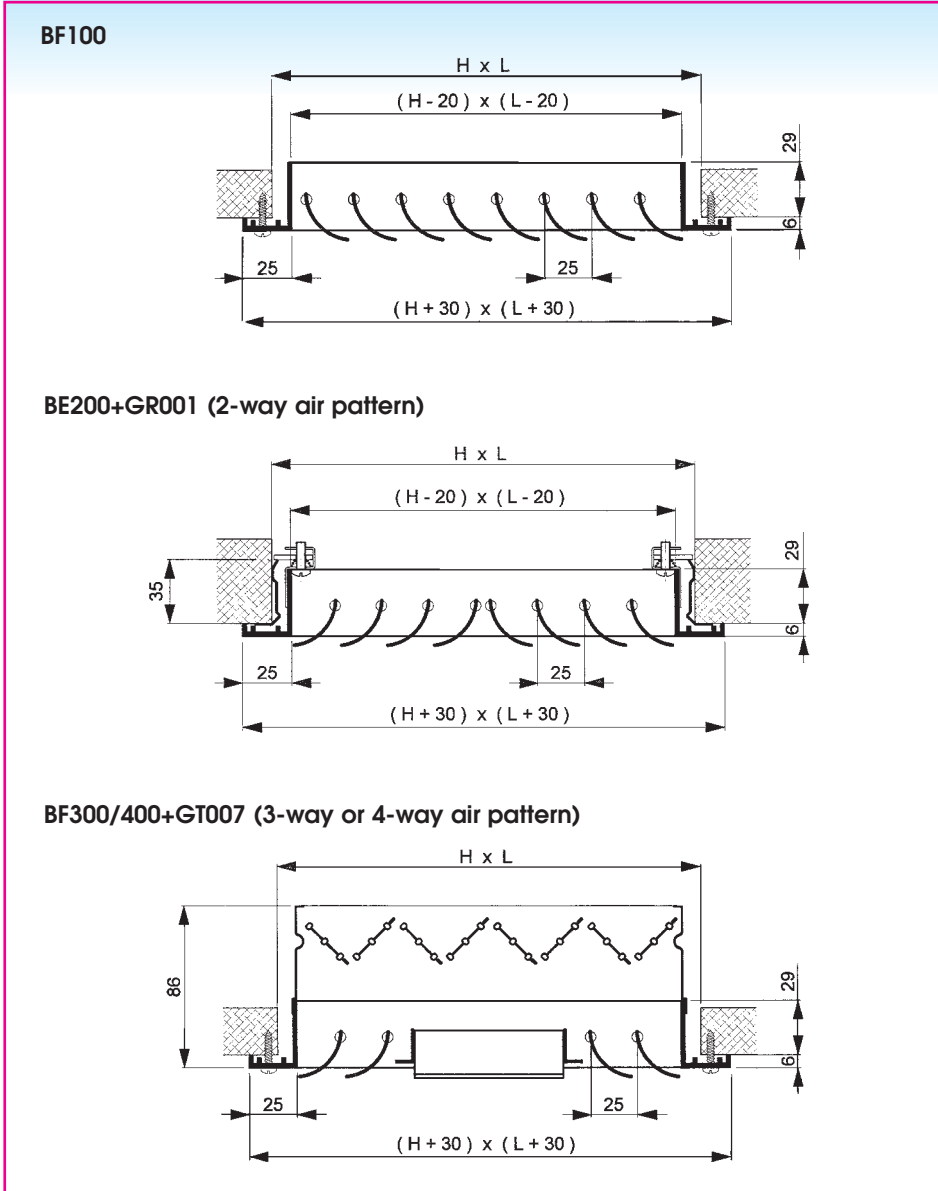


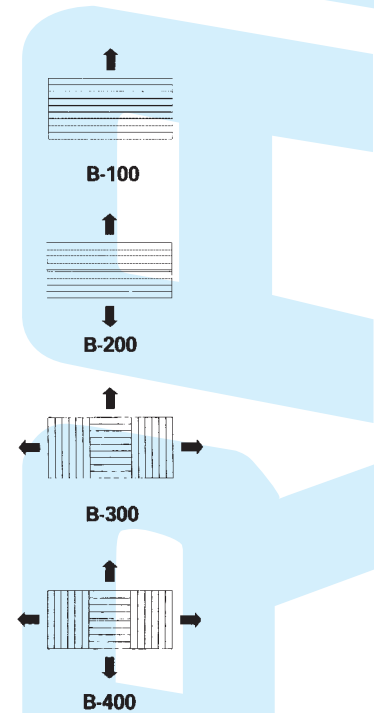
## ADJUSTABLE MULTIDIRECTIONAL DIFFUSER BE•BF100/200/300/400

### Installation dimensions



### Application

The diffuser type B-100/200/300/400 is used for the supply and exhaust of cooled or heated air in facilities such as offices, shopping centres, ... The diffuser can be used for ceiling mounting and a horizontal or vertical air pattern can be obtained by adjusting the blades.



### Technical information

#### Characteristics :

- blades on 25 mm centres
- diffusers are equipped with adjustable curved blades.
- available in multiples of 25 mm in length as well as in height

#### B-100/200:

min L=100 mm, max L=2000 mm  
min H=75 mm, max H=1200 mm

#### B-300/400:

min L=150 mm, max L=1200 mm  
min H=100 mm, max H=625 mm

Type	BE•BF 100/200/300/400						
H (mm)	100	150	200	300	400	500	600
L (mm)	-	150	-	-	-	-	-
	200	200	200	-	-	-	-
	250	250	250	-	-	-	-
	300	300	300	300	-	-	-
	400	400	400	400	400	-	-
	500	500	500	500	-	500	-
	600	600	600	600	-	-	600

Dimensions LxH: L = nominal length, H = nominal height  
All dimensions in mm

**Construction:**

- frame and blades in extruded aluminium, natural tone anodised
- **painted construction not available**

**Specifications description**

Square or rectangular aluminium diffuser with blades adjustable in 2 directions, complete with a damper. The diffuser is natural tone anodised.

**Type: BE200 + GT007**  
size (LxH) ... x ... mm

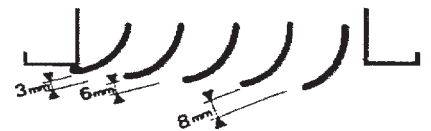
**Accessories**

- **GT007:** Vertical, opposed blade damper  
Construction out of galvanised sheet steel, painted black  
For further details, see p. 1 290.
- **GR001:** mounting frame of roll-formed, galvanised sheet steel (only for BE)

**Fixing**

- **BE :** with concealed screw fixing and mounting frame (GR001)
- **BF :** with screws

**Blade adjusting for horizontal air pattern:**



**How to order**

BE200 size 400 x 200 mm with damper GT007 and mounting frame GR001.

**a) Diffuser**

B	E	2	0	7	-	-	0	4	0	0	0	2	0	0
---	---	---	---	---	---	---	---	---	---	---	---	---	---	---

- 0: without damper
- 7: with damper
- number of air supply directions
- E: margin width 25 mm, concealed screw fixing
- F: margin width 25 mm, visible screw fixing

**b) Mounting frame**

G	R	0	0	1	-	-	0	4	0	0	0	2	0	0
---	---	---	---	---	---	---	---	---	---	---	---	---	---	---

- for BE
- L
- H

**Possible deliveries**

- **B-100:** 1-way blow
- **B-200:** 2-way blow
- **B-300:** 3-way blow
- **B-400:** 4-way blow