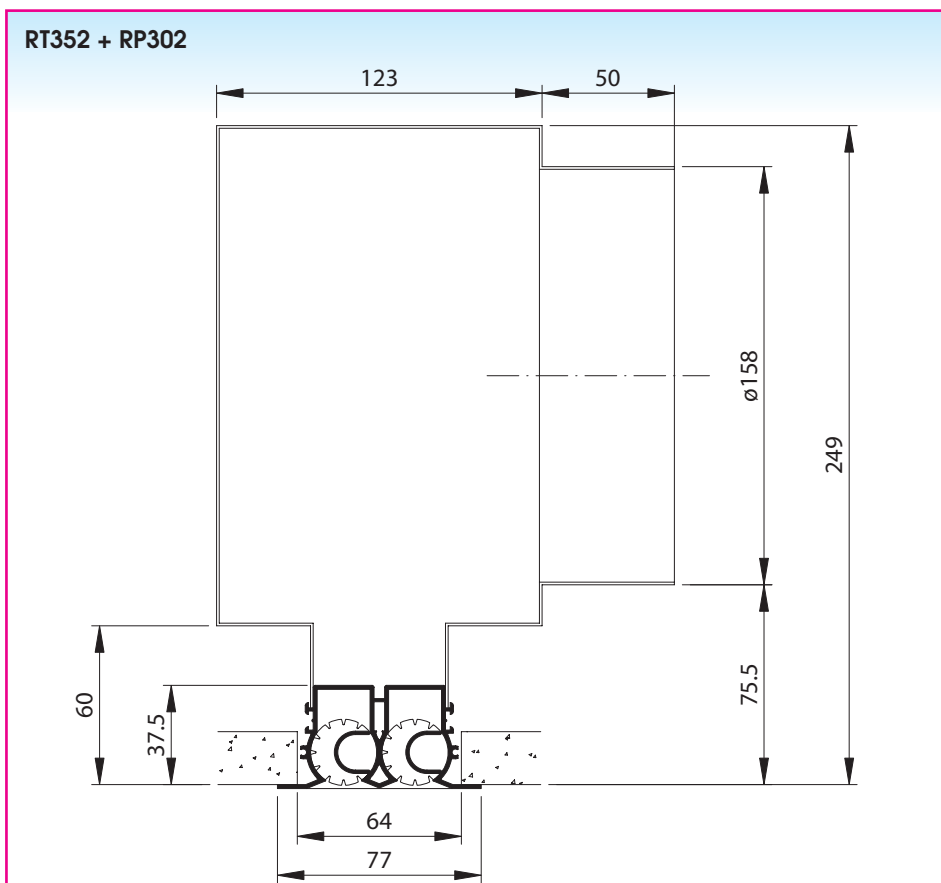
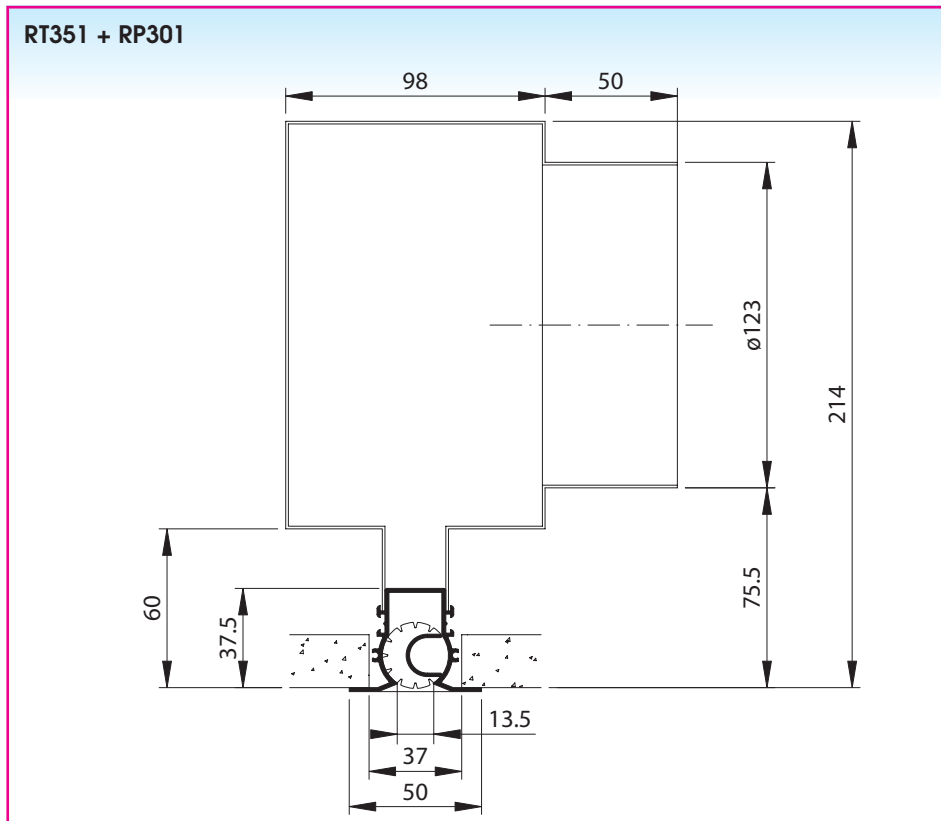


DRUM SLOT DIFFUSER RT350

Installation dimensions



All dimensions in mm.



Application

The RT350 drum slot diffuser is suitable for the intake and extraction of cooled and warmed air in offices, shops, meeting rooms, etc. The diffuser was designed for mounting in ceilings and is available with 1 or 2 slots. Each slot is fitted with air direction elements which can be individually adjusted. These specially developed air direction elements (drums) ensure an ideal and stable air diffusion pattern as well as a low noise level. There is a high level of induction and air stream penetration in the room without any internal turbulence. As a result, the drum slot diffuser is quite suitable for HVAC applications. All lengths are available so that the diffuser can be fitted into any ceiling.

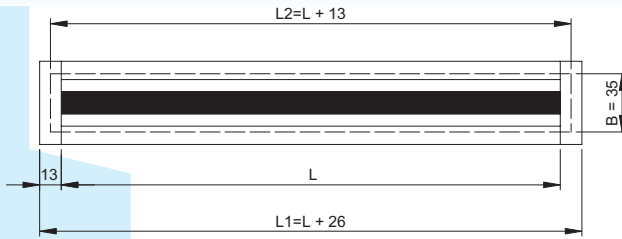
Technical information

Characteristics:

- 35 mm wide front diffuser with 1 or 2 air slots, available with standard profile (total width 50 mm) or with narrow profile (total width 35 mm)
- all lengths available (in 1 mm increments): from 300 mm to a length of 2000 mm in a single piece, larger lengths in centre-pieces (length = 1500 mm) and end-pieces which are joined together using connecting pipes
- non-working parts or dummy diffusers without holes for air flow
- extraction: without air nozzles
- supply: one-sided horizontal, two-sided horizontal and alternating blowing pattern possible with the adjustable air nozzles which can be set either in the factory or on site simply by turning

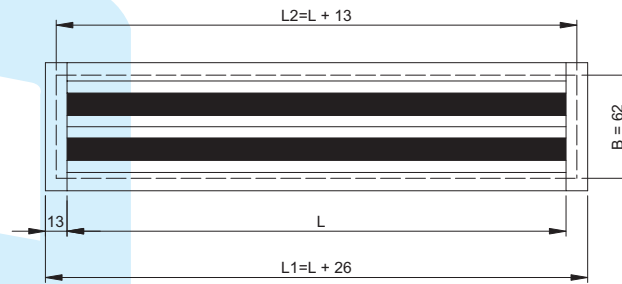
RT351

L = slot length (mm), L₂ and B = ceiling opening



RT352

L = slot length (mm), L₂ and B = ceiling opening



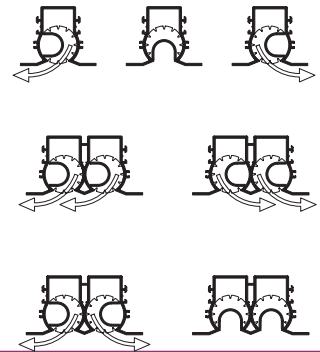
How to order

RT351 with one slot, painted in a RAL-colour, slot length =1500 mm

R	T	3	5	1	-	F	1	5	0	0	-	-	-	-
---	---	---	---	---	---	---	---	---	---	---	---	---	---	---

- slot length (mm)
- : anodised aluminium
F : painted in a RAL-colour
- : slot diffuser in one piece with end caps on both sides
E : end pieces, with one end cap
M : intermediate piece, without end caps
- 351 : ceiling opening 35 mm, total width 50 mm, 1 slot
- 352 : ceiling opening 62 mm, total width 77 mm, 2 slots
- 361 : ceiling opening 35 mm, total width 35 mm, end cap X, 1 slot
- 371 : ceiling opening 35 mm, total width 35 mm, end cap Z, 1 slot
- 451 : ceiling opening 35 mm, total width 50 mm, 1 slot, with concealed fixing
- 452 : ceiling opening 62 mm, total width 77 mm, 2 slots, with concealed fixing
- 311 : dummy diffuser (for R-351), with brackets
- 312 : dummy diffuser (for R-352), with brackets
- 321 : dummy diffuser (for R-361), with brackets
- 331 : dummy diffuser (for R-371), with brackets
- 411 : dummy diffuser (for R-451), with concealed screw fixing
- 412 : dummy diffuser (for R-452), with concealed screw fixing
- T : supply (black air direction elements)
W : supply (white air direction elements)
A : exhaust (without air direction elements)

Adjusting possibilities



- alternating horizontal: alternate every 2 air nozzles
- alternating oblique: alternate at every air nozzle
- length of air nozzle = 150 mm
- 2.6 m < installation height < 4 m
- available with plenum:
 - with or without volume control valve in the inlet, adjustable via the front diffuser
 - up to a length of 1600 mm fitted with one round inlet, above 1600 mm two round inlets
 - optional internal insulation

Construction:

- diffuser made from extruded aluminium, natural tone anodised or painted in a RAL colour
- fitted with black or white air nozzles made from ABS plastic
- plenum made from galvanised sheet steel, optionally insulated

Specifications description

Example :

Aluminium line diffuser with 1 outlet slot with adjustable air nozzles. Suitable for mounting in ceilings. Delivered complete with fixed plenum with round side connection and volume control valve. Diffuser natural tone anodised with black plastic air nozzles. The plenum is made from galvanised sheet steel.

Type : RT351 + RP311

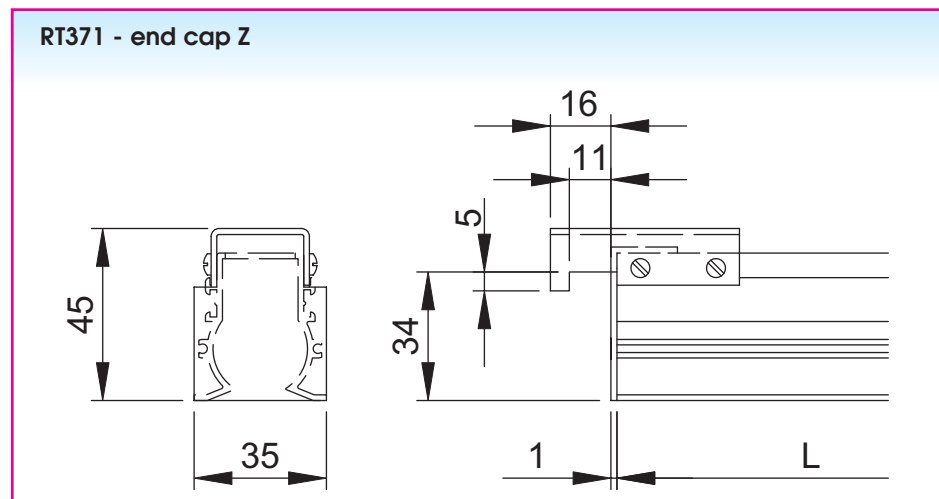
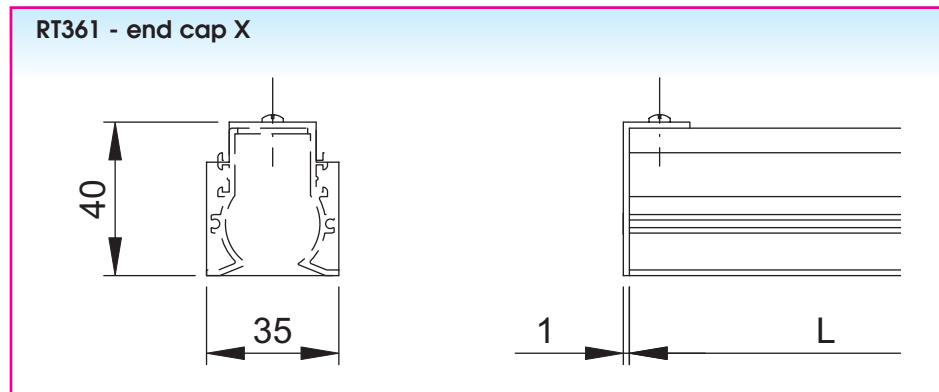
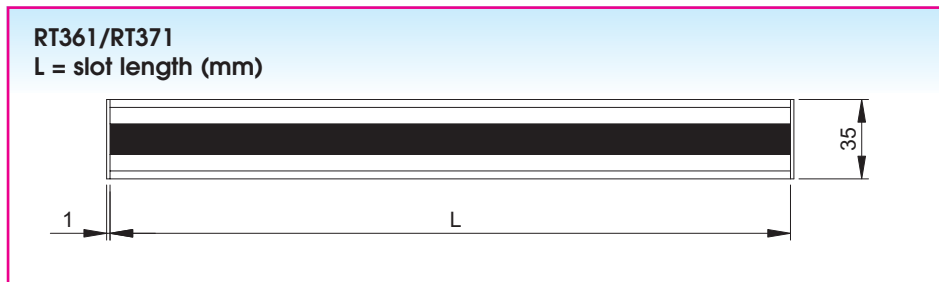
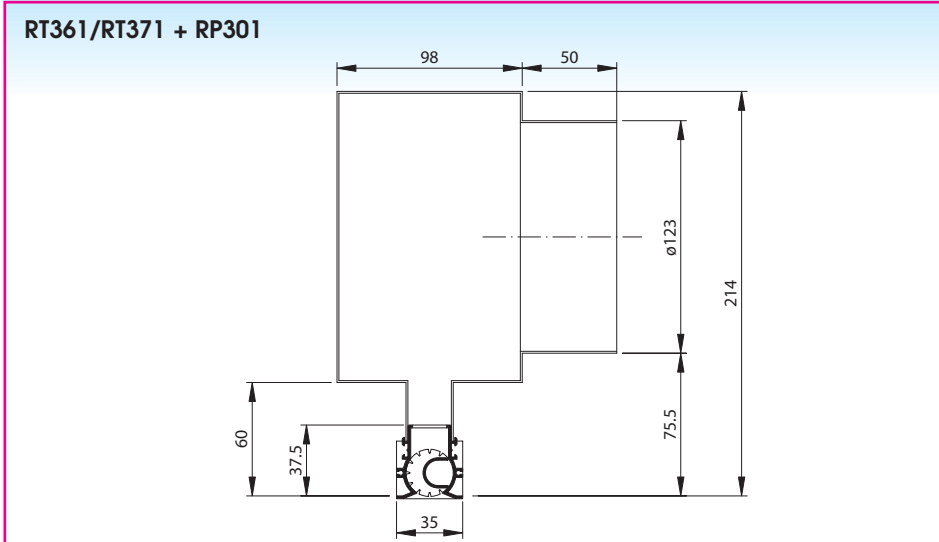
L = ... mm

Fixing

- either by a diffuser attached directly to the plenum, either by a concealed fixing so that the diffuser can be removed from the plenum (mounting Grada on demand)
- provided with mounting eyes (ø 7mm), mounting straps available on demand

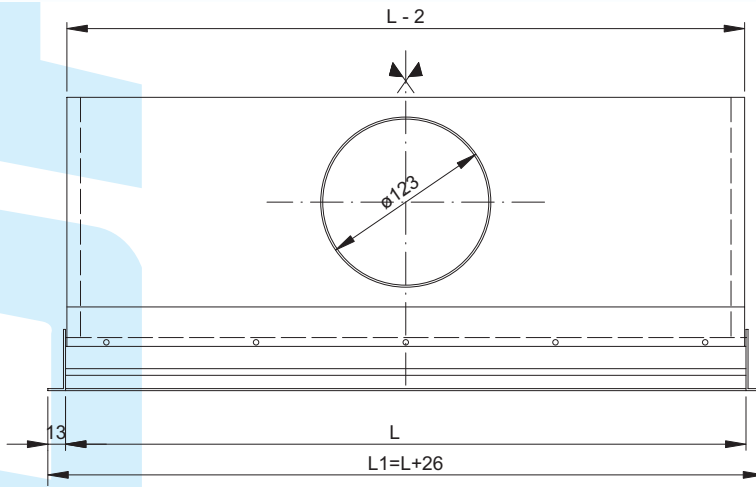
**DRUM SLOT DIFFUSER
RT361/371**

Installation dimensions

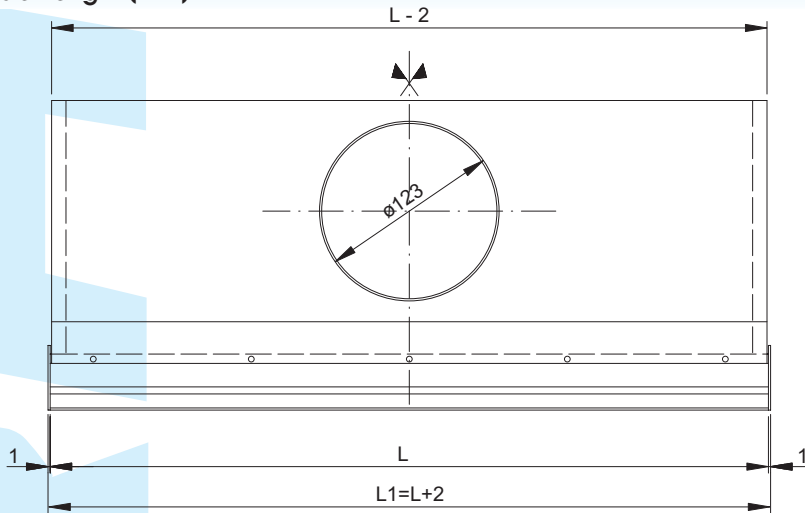


Installation dimensions

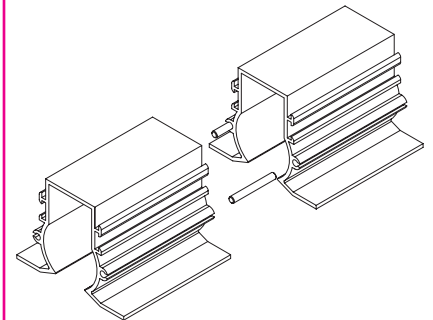
RT351 + RP301
L = slot length (mm)



RT361 + RP301
L = slot length (mm)



Connection linear grilles



How to order

RP301, insulated plenum, slot length = 1500 mm

R	P	3	0	1	-	G	0	1	2	5	1	5	0	0
---	---	---	---	---	---	---	---	---	---	---	---	---	---	---

Diameter spigot slot length (mm)

- : non insulated plenum
G : internally insulated plenum

- : one piece
L : end piece left
R : end piece right
M : intermediate piece

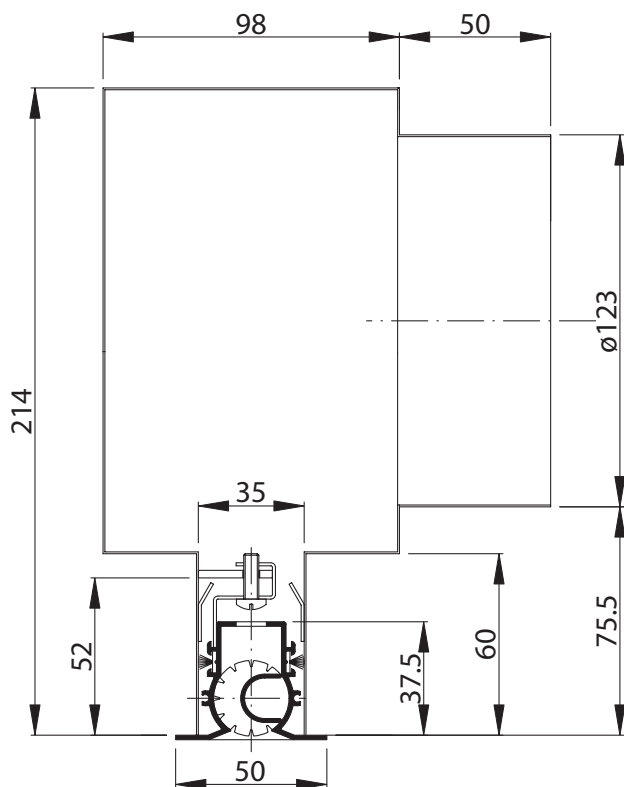
1 : one slot
2 : two slots

0 : without damper in the inlet spigot
1 : with damper in the inlet spigot

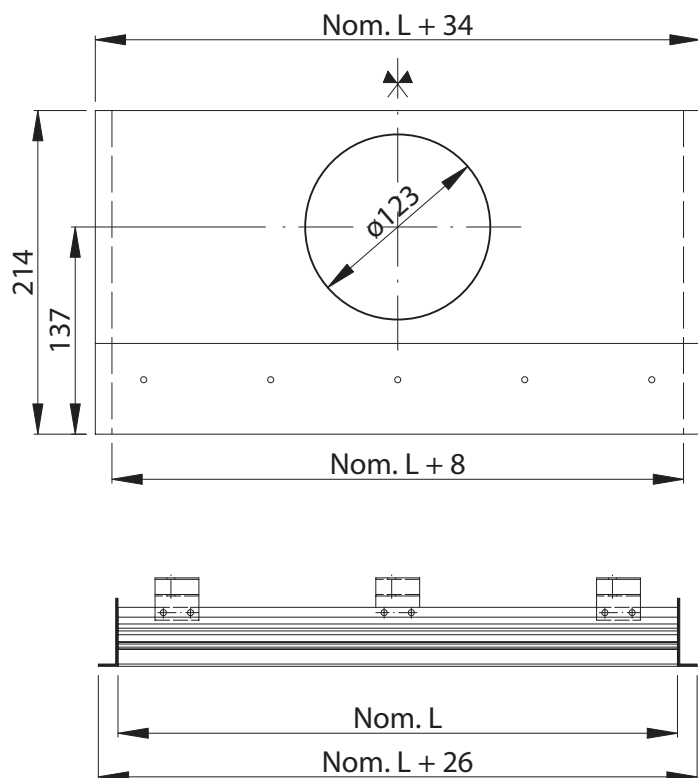
RP3 : plenum
RP4 : plenum (with concealed fixing)

Installation dimensions

RT451 + RP401



RT451 + RP401
L = slot length (mm)



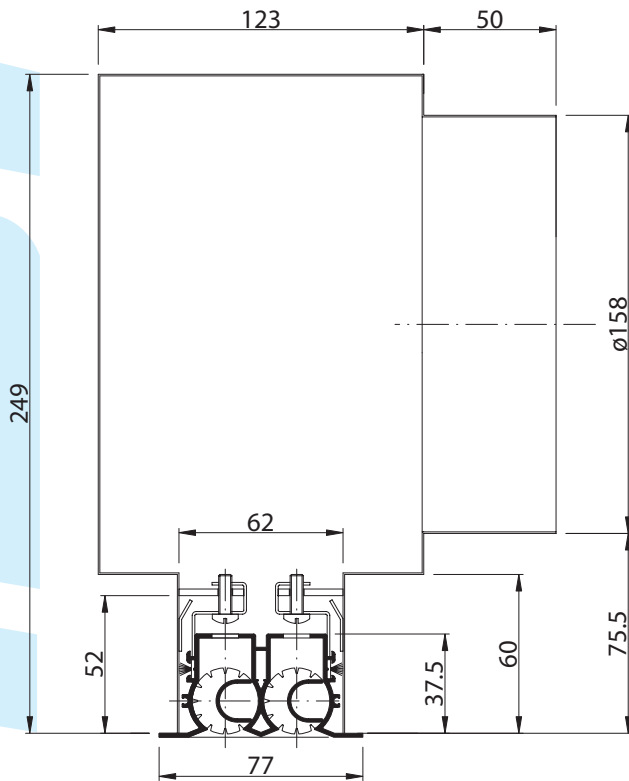
Linear execution:

end pieces + 15 mm

intermediate pieces = nominal dimension

Installation dimensions

RT452 + RP402



Linear execution:

end pieces + 15 mm

intermediate pieces = nominal dimension

RT452 + RP402
L = slot length (mm)

