



NV...-3-R

Valve actuator

NV...-3-R are valve actuators for control of different valves.

- For supply voltage 24 V AC or 230 V AC
- For 3-point control
- Automatic stroke adjustment

NV230-3-R and NV24-3-R are valve actuators for control of valves in the ranges MMV/MMR, GTVS/GTRS and 2SAS/2SBS, as well as FRS district heating valves.

NV230-3-R

Actuator for 3-point control (increase-decrease) signal. Supply voltage 230 V AC.

NV24-3-R

Actuator for 3-point control (increase-decrease) signal. Supply voltage 24 V AC/DC.

Function safety

The actuators are short-circuit proof and protected against polarity reversing on installation.

- Force 800 N
- Stroke 20 mm
- Adapters for adaption to other valve brands

Manual operation

The stem position can be adjusted manually with an Allen key.

Position indication

The stroke is indicated mechanically. The indication is self adjusting.

Use with other valve brands

The actuator can be used with other valve brands, for example Siemens and TAC. See product sheet 7-800 for more information.

Models

NV24-3-R
NV230-3-R

Technical data

	NV24-3-R	NV230-3-R
Supply voltage	24 V AC/DC	230 V AC
Connection cable (1 m)	3 x 0,75 mm ²	4 x 0,75 mm ²
Transformer sizing	5 VA	7 VA
Power consumption	3 W	6 W

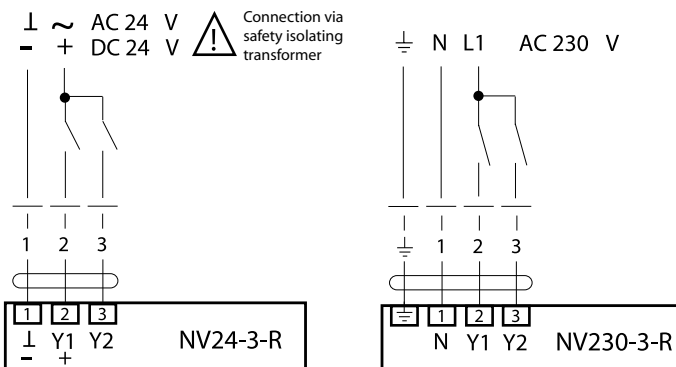
Common data

Stroke	20 mm
Force	800 N
Actuating time	7,5 s/mm
Control signal	3-point
Protection class	IP54
Manual operation	Allen key
Ambient temperature	0...50°C
Storage temperature	-40...+80°C
Ambient air humidity	According to EN 60730-1



This product conforms with the requirements of European EMC standards 89/336/EEC, 92/31/EEC, 93/68/EEC.

Wiring



Dimensions

