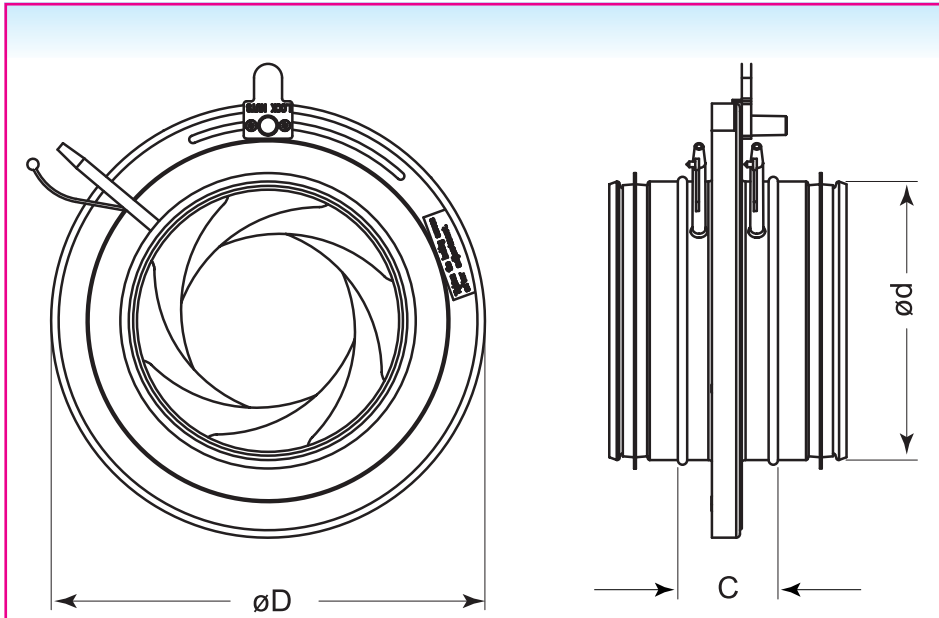


# IRIS DUCT DAMPER

### Installation dimensions



Size	Ø A	Ø B	C	L
100	99	163	54	124
125	124	210	63	124
160	159	230	60	124
200	199	285	62	149
250	249	333	62	181
315	314	406	63	181
400	399	560	70	217
500	499	644	60	217
630	629	811	60	217

All dimensions in mm.



### Application

The duct damper IRIS has been especially designed for easy measuring and balancing of air flows in circular ducts. These dampers can be used both in supply and exhaust. Each IRIS damper is equipped with 2 manometer connections for measuring the pressure loss/air volume. By the concerning diagram and the measured  $\Delta p$  one can adjust or read the desired air flow. Adjusting is done by a handle. Once adjustment effected it can be locked.

### Technical information

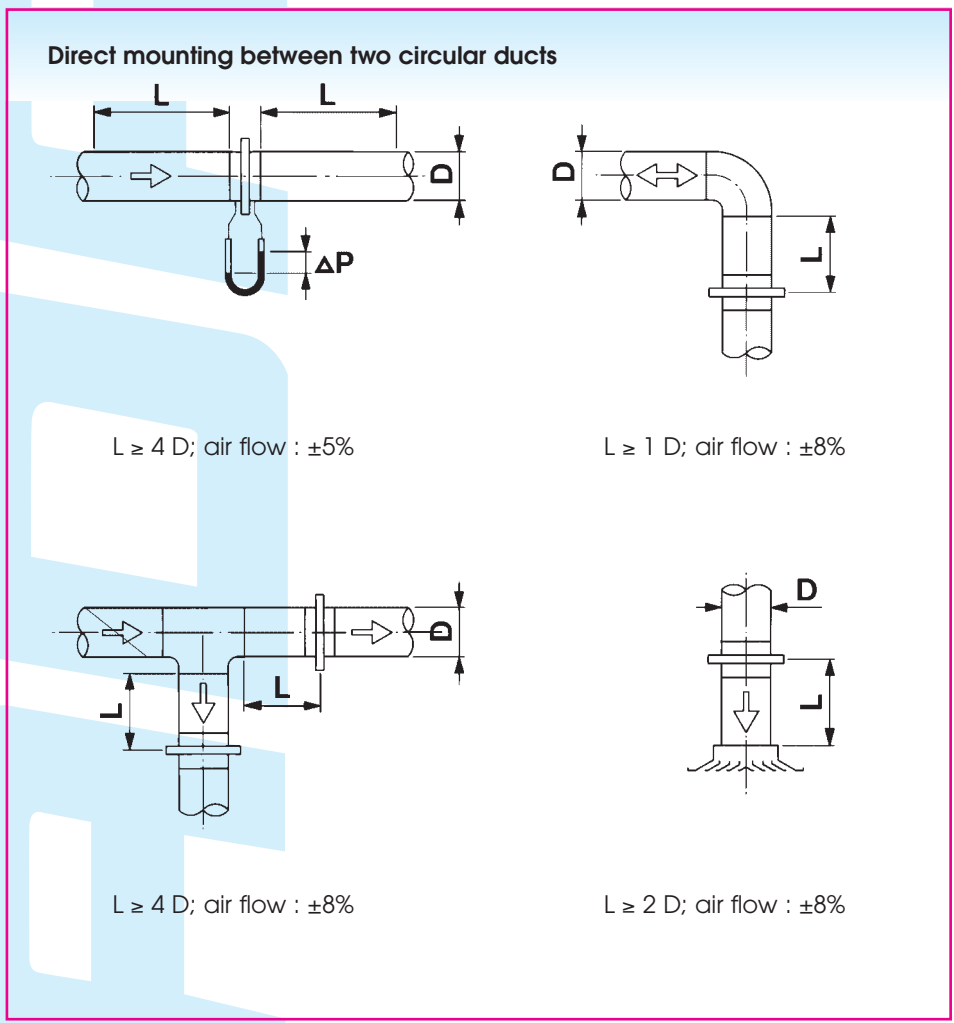
#### Characteristics

- 2 manometer connections  $\varnothing$  5 mm with protecting caps
- measuring precision  $\pm$  5-8 % (mounted following instructions)
- both ends provided with rubber sealing gaskets
- synthetic adjusting button with graduation and locking system
- Available in 6 sizes: 100, 125, 160, 200, 250, 300, 315, 400, 500 and 630 mm

#### Construction

Made out of galvanised sheet steel

**Fixing instructions**



**Specifications description**

**Example :**

IRIS duct damper made out of galvanized sheet steel and equipped on both ends with a rubber sealing gasket. The damper is provided with a lockable adjusting button and 2 manometer connections of  $\varnothing 5$  mm.

**Type :** IRIS  
Size ... mm

**How to order**

