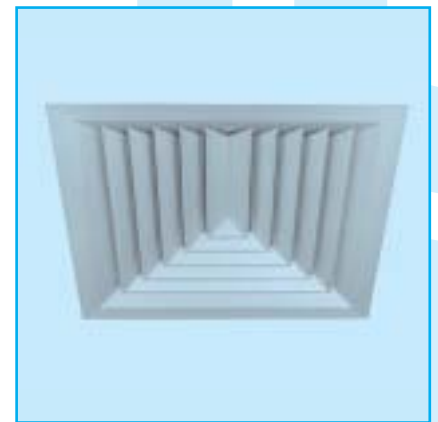
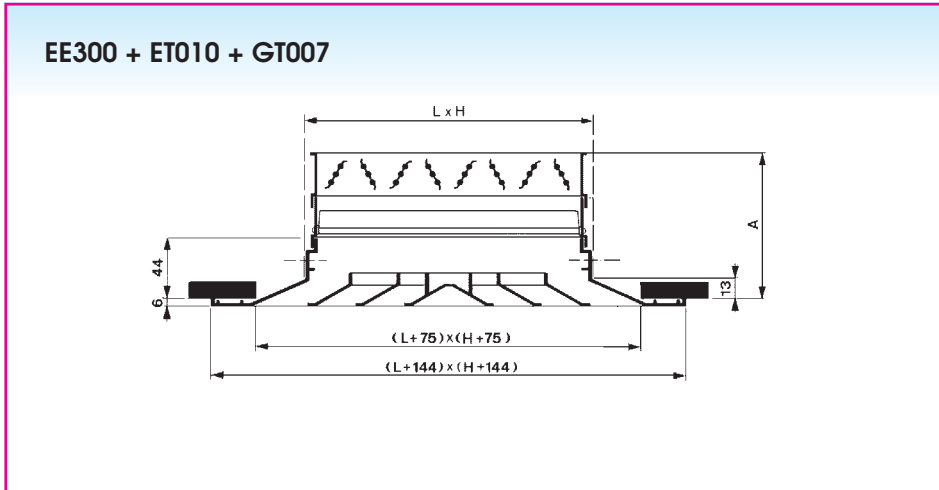


MULTIDIRECTIONAL DIFFUSER EE300

Installation dimensions



Application

The diffuser type EE300 is used for the supply and exhaust of cooled or heated air in facilities such as offices, shopping centres, conference rooms, ...

The diffuser can be mounted in the ceiling and has a fixed 3-way horizontal air pattern.

H (mm)	150	225	300	375	450	525	600
L (mm)	150	-	-	-	-	-	-
	225	225	-	-	-	-	-
	300	300	300	-	-	-	-
	375	375	375	375	-	-	-
	450	450	450	450	450	-	-
	525	525	525	525	525	525	-
	600	600	600	600	600	600	600

Dimensions LxH: L = nominal length, H = nominal height.
All dimensions in mm.

Dimension	A
With flow equalizer ET010	76
With damper GT007	82
With flow equalizer and damper ET010 + GT007	114

Technical information

Characteristics :

- Square or rectangular diffuser available in multiples of 75mm as well in height as in length
min L = 150 mm, max L = 900 mm
min H = 150 mm, max H = 600 mm
- Fixed 3-way horizontal air pattern.
- Removable core consisting of several air distribution elements.
It is possible to replace the core with that of EE100, EE200 and EE400, in accordance with the desired air pattern.

Construction:

- completely in extruded aluminium; natural tone anodised.

Specifications description

Example:

Square or rectangular aluminium diffuser with fixed inner rings (3-way), complete with a damper. The diffuser is natural tone anodised .

Type: EE300 + GT007
size (LxH): ... x ... mm

Accessories

- **GT007:** Opposed blade damper
Construction out of galvanised sheet steel, painted black
For further details, see p. 1 290
- **ET010:** Flow equalizer in mill finish aluminium

Fixing

- with screws in the diffuser neck.

How to order

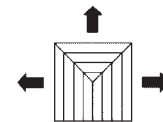
EE300 size 375 x 375 mm with flow equalizer ET010 and damper GT007

E	E	3	1	7	-	-	0	3	7	5	0	3	7	5
							L				H			

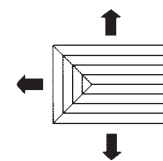
0: without damper
7: with damper

type of diffuser: see "possible deliveries"

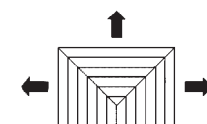
Possible deliveries



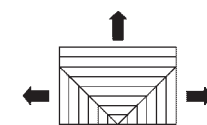
Square diffuser EE300 with flow equalizer EE310



Rectangular diffuser EE300 with flow equalizer EE310



Rectangular diffuser EE320 with flow equalizer EE330



Rectangular (or square) diffuser EE340 with flow equalizer EE350