



AVY...

Valve actuator

AVY are valve actuators for control of different valves.

- For supply voltage 24 V AC/DC
- Control signal 3-point or 0...10 V DC
- Automatic stroke adjustment

AVY24-3-R and AVY24-MFT-R are valve actuators for control of valves in the ranges GTVS/GTRS and 2SAS/2SBS, as well as FRS district heating valves.

AVY24-3-R

Actuator for 3-point control (increase-decrease) signal. Supply voltage 24 V AC/DC.

AVY24-MFT-R

Microprocessor-based actuator for 0...10 V control signal. Supply voltage 24 V AC/DC.

The actuator has automatic stroke adjustment. This function presupposes that the valve makes a mechanical stop "bolt" in both end positions.

Function safety

The actuators are short-circuit proof and protected against polarity reversing on installation.

The MFT model also has automatic stroke adjustment with overload protection.

- Force 2000 N
- Stroke 40 mm
- Adapters for adaption to other valve brands

Manual operation

The stem position can be adjusted manually with an Allen key.

Position indication

The stroke is indicated mechanically. The indication is self adjusting.

Use with other valve brands

The actuator can be used with other valve brands, for example Siemens and TAC. See product sheet 7-800 for more information.

Models

AVY24-3-R
AVY24-MFT-R

Technical data

| | AVY24-3-R | AVY24-MFT-R |
|------------------------|--------------------------|--------------------------|
| Transformer sizing | 5 VA | 10 VA |
| Power consumption | 4 W | 6 W |
| Connection cable (1 m) | 3 x 0.75 mm ² | 5 x 0.75 mm ² |
| Control signal | 3-point | 0...10 V DC |
| Actuating time | 7.5 s/mm | 150 s |

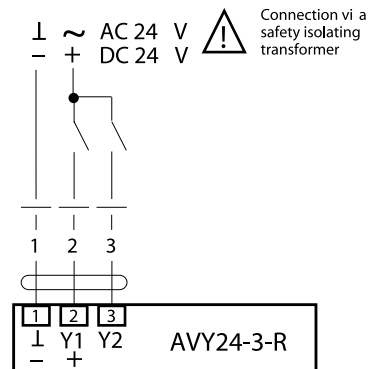
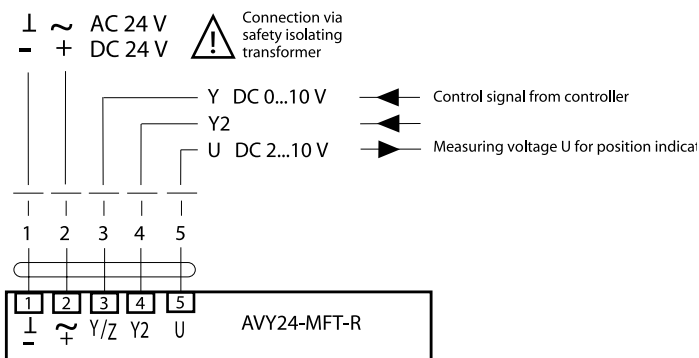
Common data

| | |
|----------------------|-------------------------|
| Supply voltage | 24 V AC/DC |
| Stroke | 40 mm |
| Force | 2000 N |
| Protection class | IP54 |
| Manual operation | Allen key |
| Ambient temperature | 0...50°C |
| Storage temperature | -40...+80°C |
| Ambient air humidity | According to EN 60730-1 |

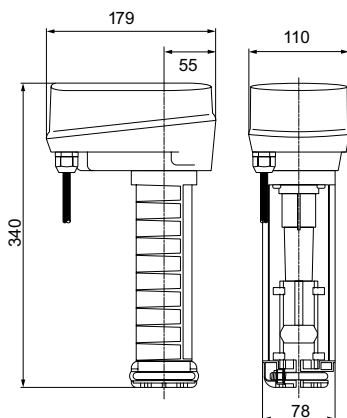


This product conforms with the requirements of European EMC standards 89/336/EEC, 92/31/EEC, 93/68/EEC.

Wiring



Dimensions



Measurements in mm

AB Regin

Box 116, SE-428 22 Källered, Sweden
Visiting address: Bangårdsvägen 35

Phone: +46 31 720 02 00

Fax: +46 31 94 01 46

www.regin.se, info@regin.se

REGIN

THE CHALLENGER IN BUILDING AUTOMATION