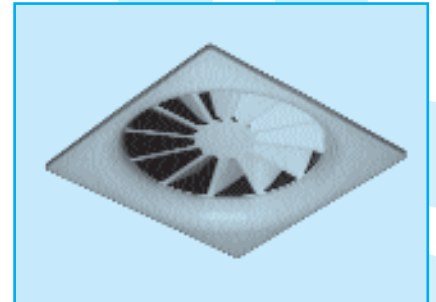
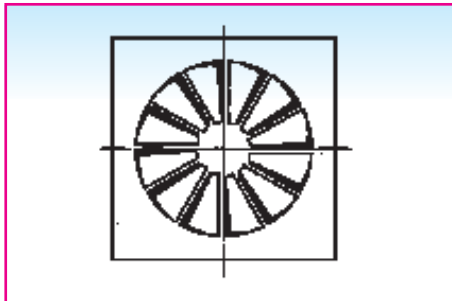
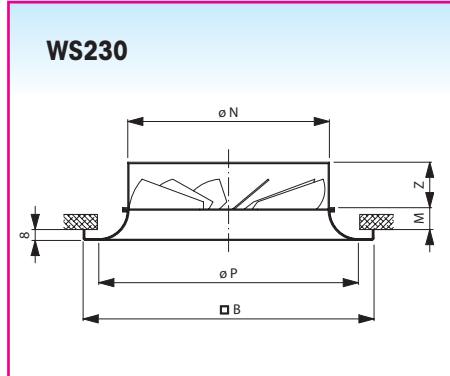
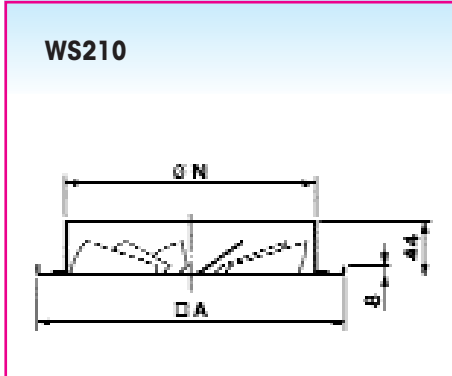


SQUARE SWIRL DIFFUSER WS200

Installation dimensions



Application

The swirl diffuser type WS200 is used for the supply of cooled and heated air in facilities such as offices, shopping centres, schools, ...

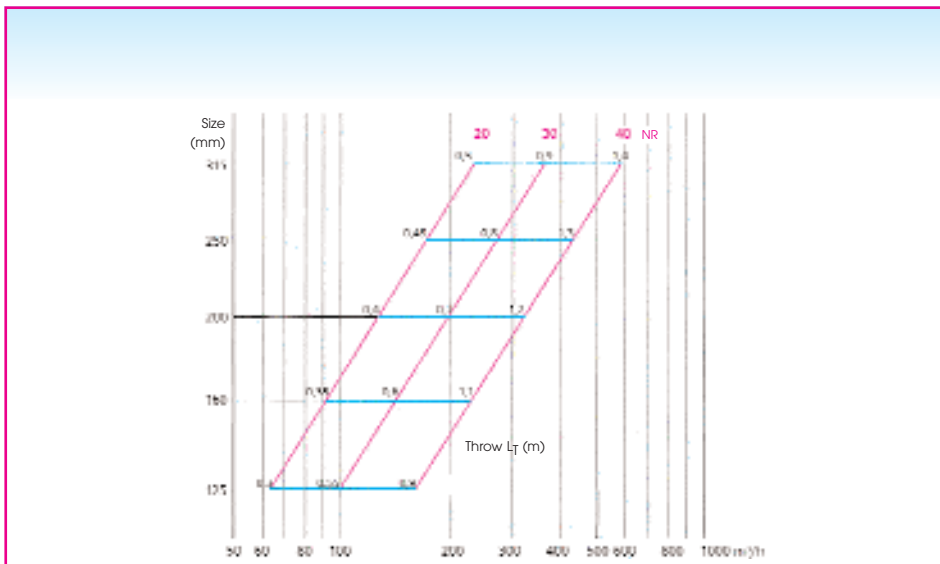
Diffuser for ceiling or exposed duct mounting. The diffuser is equipped with fixed vanes in a square front-plate. A high induction is obtained by the exceptional swirl discharge, which makes them very suitable for VAV application from 100% down to 25 %.

A downwards inclined swirl is obtained in the flush version WS200, when fitted with the diffusion collar WS220, a horizontal swirl is obtained.

Size	ØN	ØA	ØB	M	ØP	Z
125	123	178	200	30	170	25
160	158	198	250	30	210	35
200	198	248	300	35	250	40
250	248	298	350	35	300	45
315	313	363	450	40	390	50
400	398	600	570	70	520	50
500	498	700	700	70	620	50

Ø P = min. ceiling opening. All dimensions in mm.

Fast selection diagram



Throw factor is based on a v_R of 0,17 m/s in the occupied zone.
See following pages for a detailed selection.

Technical information

Characteristics :

- 2,4 < installation height < 4 m
- diffuser with central screw fixing that can be dismantled from plenum or transition piece.
- diffuser without central screw, fixed to plenum or transition piece.

Construction:

- diffuser ; steel, painted in white (RAL 9010)
- insulated or non insulated plenum ; galvanised sheet steel
- provided with mounting eyes (Ø 7mm), mounting straps available on demand

Specifications description

Example:

Square steel swirl diffuser with fixed vanes in a square frontplate and diffusion collar. Completely with plenum mounting, equipped with side entry and damper.

The diffuser is painted white (RAL 9010)

Type: WS231S
size ... mm

Accessories

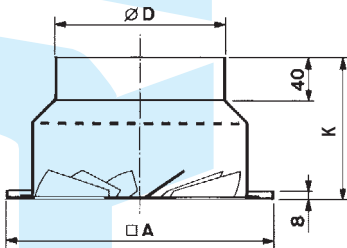
- **GR003** : mounting support for central screw fixing; only for WS210/WS230

Possible deliveries

- **WS200**: Flush swirl diffuser
- **WS200S**: Flush swirl diffuser and plenum with side entry
- **WS200T**: Flush swirl diffuser with transition piece, top entry
- **WS210**: Flush swirl diffuser with central screw fixing
- **WS210T**: Flush swirl diffuser with central screw fixing and transition piece, top entry
- **WS210S**: Flush swirl diffuser with central screw fixing and plenum with side entry
- **WS211S**: Flush swirl diffuser with central screw fixing, plenum with side entry and damper in inlet spigot
- **WS220**: Swirl diffuser with diffusion collar
- **WS220S**: Swirl diffuser with diffusion collar and plenum with side entry
- **WS220T**: Swirl diffuser with diffusion collar and transition piece, top entry
- **WS230**: Swirl diffuser with diffusion collar and central screw fixing
- **WS230T**: Swirl diffuser with diffusion collar, with central screw fixing and transition piece, top entry
- **WS230S**: Swirl diffuser with diffusion collar, central screw fixing and plenum with side entry
- **WS231S**: Swirl diffuser with diffusion collar, central screw fixing and damper in inlet spigot

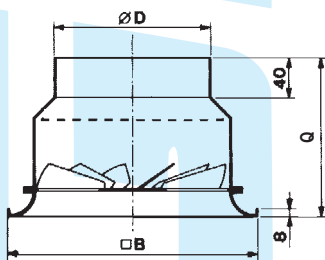
Installation dimensions

WS210T

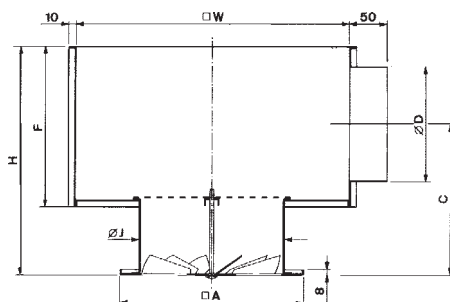


Size	C	ØD	E	F	G	H	ØJ	□W	K	Q
125	129	98	154	160	230	205	127	275	126	155
160	141	123	166	185	255	230	162	325	131	160
200	159	158	184	220	290	265	202	375	131	160
250	184	198	214	260	340	315	252	450	136	165
315	204	248	239	310	390	355	317	500	144	180
400	236	313	296	375	480	420	402	600	180	240
500	278	398	338	460	565	505	502	800	-	-

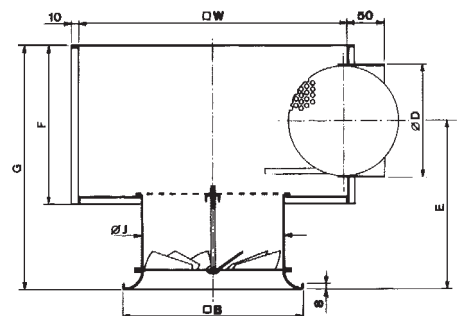
WS230T



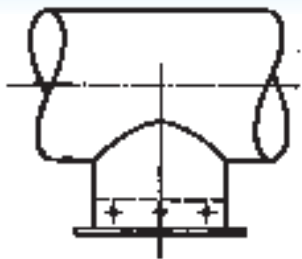
WS210S



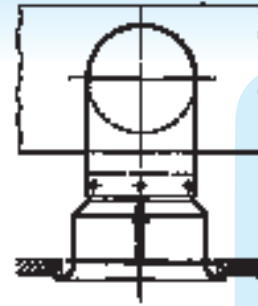
WS231S



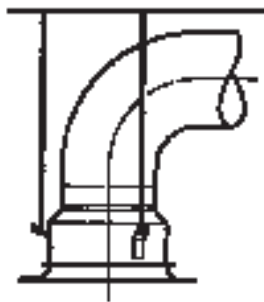
Installation possibilities



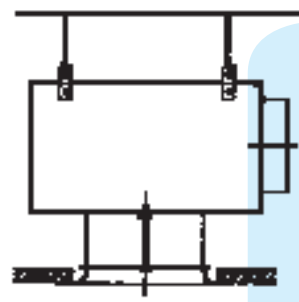
Direct mounting



Mounting with transition piece, top entry



Mounting with transition piece, top entry



Mounting with plenum box with side entry

How to order

WR210 size 200 mm with non insulated plenum with side entry, without damper.

W	R	2	1	0	S	-	0	2	0	0	0	0	0	0
---	---	---	---	---	---	---	---	---	---	---	---	---	---	---

Size

- : non insulated plenum
- G: insulated plenum (only with side entry)
- : diffuser only
- S: plenum with side entry
- T: transition piece, top entry

- 0: without damper
- 1 : with damper in inlet spigot

- 0: flush
- 1 : flush with central screw fixing
- 2: with diffusion collar
- 3: with diffusion collar and central screw fixing

- R: circular swirl diffuser
- S: square swirl diffuser