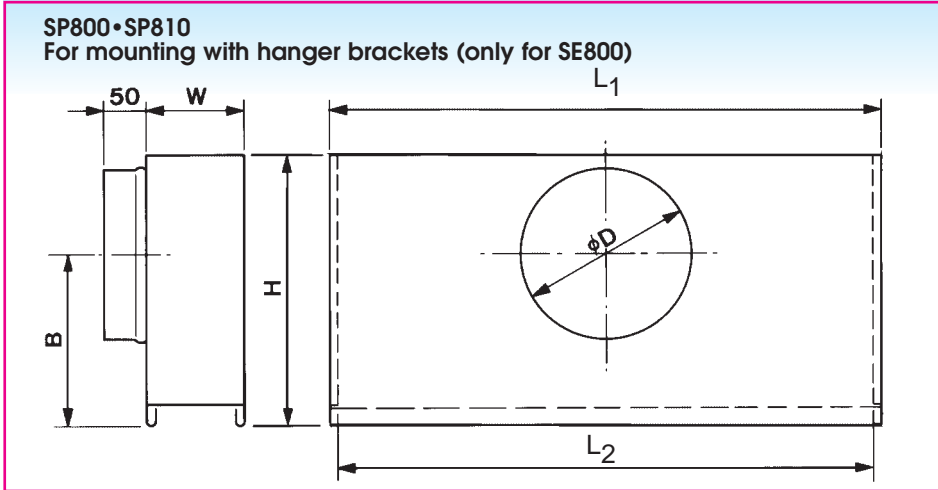


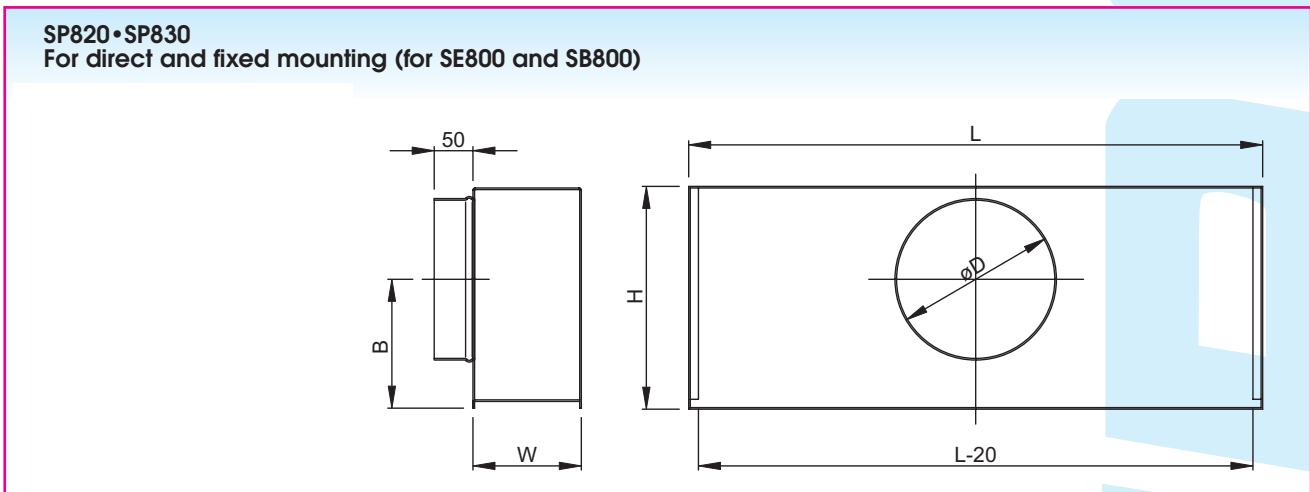
## PLENUM FOR SLOT DIFFUSER SP800

### Installation dimensions



	Number of slots							
	1	2	3	4	5	6	7	8
$\varnothing D$	123	158	198	198	248	248	313	313
$B$	127	161	192	243	268	268	293	293
$H$	203	248	305	356	406	406	450	450
$W$	64	107	150	193	236	279	322	365

SP800•SP810 :  $L_1 = L + 35$        $L_2 = L + 11$   
 SPOOL&R•SP810L&R :  $L_1 = L + 18$        $L_2 = L + 6$   
 SP800M•SP810M :  $L_1 = L$        $L_2 = L$



	Number of slots							
	1	2	3	4	5	6	7	8
$\varnothing D$	123	158	198	198	248	248	313	313
$B$	94	126	156	206	231	231	256	256
$H$	170	220	270	320	370	370	420	420
$W$	41	84	127	170	213	256	299	342

**\*NOTE:** L (Left) and R (Right) looking on the front of the plenum  
 L = slot length  
 All dimensions in mm



## How to order

SP800 for a slot diffuser with 2 slots, insulated, for mounting with hanger brackets, no damper, L = 1000 mm; delivered separately.

S	P	8	0	2	-	G	0	1	6	0	1	0	0	0
---	---	---	---	---	---	---	---	---	---	---	---	---	---	---

diameter spigot    slot length (mm)

- : non insulated plenum
- G: internally insulated plenum
- H : plenum insulated at the top and on the opposite side of the inlet

- : one piece
- R : end piece right
- L : end piece left
- M: intermediate piece

number of slots

- 0 : for mounting with hanger brackets, no damper in the inlet spigot
- 1 : for mounting with hanger brackets, with damper in the inlet spigot
- 2 : for direct fixed mounting, no damper in the inlet spigot
- 3 : for direct fixed mounting, with damper in the inlet spigot
- 4 : for mounting with hanger brackets, no damper in the inlet spigot and with mounting straps
- 5 : for mounting with hanger brackets, with damper in the inlet spigot and with mounting straps
- 6 : for direct fixed mounting, no damper in the inlet spigot and with mounting straps
- 7 : for direct fixed mounting, with damper in the inlet spigot and with mounting straps

**\*NOTE : L (Left) and R (Right) looking on the front of the plenum**