

Flexit S7 R

Art.no.	Type
14170	S7 REL
14171	S7 RER
14172	S7 R L
14173	S7 R R
14174	S7 REL EC
14175	S7 RER EC
14176	S7 R L EC
14177	S7 R R EC



CI 50 Control Panel included in all units (with 12 m cable).

	S7 RE	S7 RE EC	S7 RW	S7 RW EC
Rated voltage:	230V/50Hz	230V/50Hz	230V/50Hz	230V/50Hz
Fuse:	16 A	13 A	10 A	10 A
Rated current, total:	14,2 A	12,4 A	3,3 A	1,5 A
Rated power, total:	3 265 W	2 845 W	765 W	345 W
Rated power, electric battery:	2 500 W	2 500 W		
Rated power, fans:	2 x 375 W	2 x 175 W	2 x 375 W	2 x 175 W
Fan type:	F-wheel	F-wheel	F-wheel	F-wheel
Fan motor control:	Transformer	EC-stepless	Transformer	EC-stepless
Max. fan speed:	2000 rpm	2000 rpm	2000 rpm	2000 rpm
Automatic, standard:	CS 50	CS 50	CS 50	CS 50
Filter type (SUP/EXTR):	F7/F7	F7/F7	F7/F7	F7/F7
Filter dimensions SUP (WxHxD):	468x200x70mm	468x200x70mm	468x200x70mm	468x200x70mm
Filter dimensions EXTR (WxHxD):	468x200x50mm	468x200x70mm	468x200x70mm	468x200x70mm
Weight:	92 kg	92 kg	92 kg	92 kg
Duct connection:	Ø 200 mm	Ø 200 mm	Ø 200 mm	Ø 200 mm
Height:	900 mm	900 mm	900 mm	900 mm
Width:	900 mm	900 mm	900 mm	900 mm
Depth:	550 mm	550 mm	550 mm	550 mm

Accessories



Filter Set
Art.no.
12327



CI 50 Control Panel
Art.no.
09380



**CI 50 Additional box
for surface mounting**
Art.no. Type
09381 silver
09382 white



CI 500 Control Panel
Art.no.
09385



3-way Valve
Art.no. Type
56604 KVS 1,0 3-way
56597 KVS 1,6 3-way



Motor 3-way Valve
230V
Art.no.
56596



Water Coil
Art.no. Type
14467 Ø200



SP450 Motion Detector
Art.no.
09390



**Closing Air Damper
w/Spring Return**
Art.no. Type
14482 Ø160
14481 Ø200

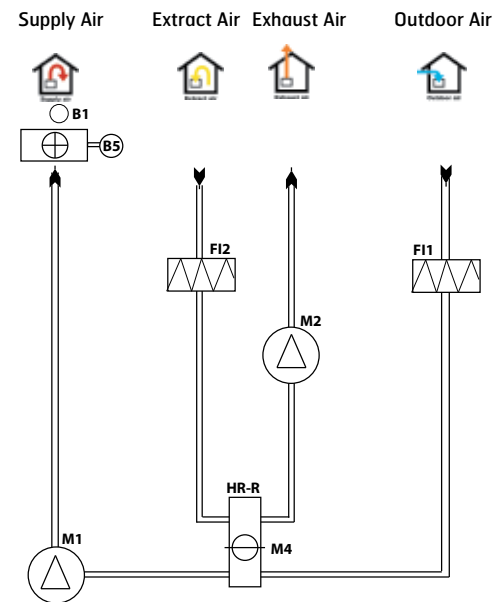


Combi. Unit
Art.no. Type
00797 2xØ160mm, black
00798 2xØ160mm, white
00799 2xØ200mm, white
00800 2xØ200mm, black

Flexit S7 R

System Drawing, water heating

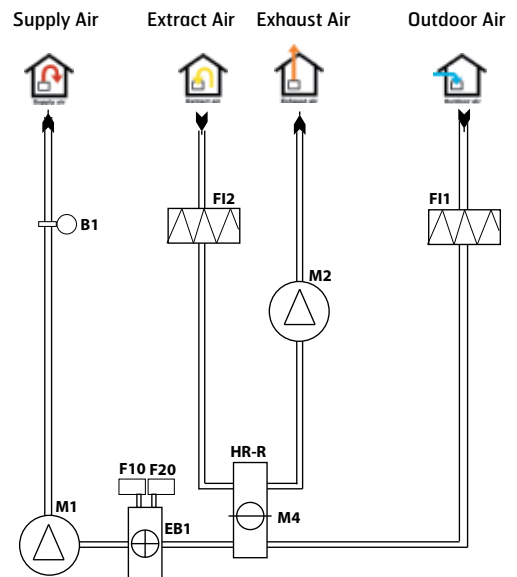
(right model)



- FI2 Extract air filter
- FI1 Supply air filter
- HR-R Rotating heat exchanger
- B1 Temperature sensor, supply air
- B5 Temperature sensor
- M1 Supply air fan
- M2 Extract air fan
- M4 Rotor motor

System Drawing, electric heating

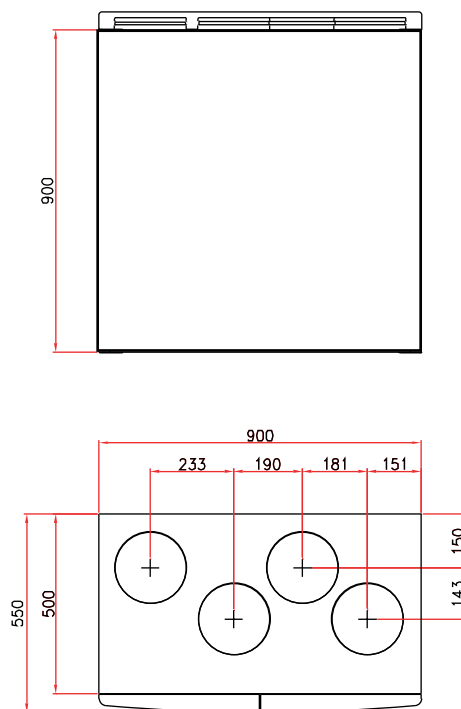
(right model)



- FI2 Extract air filter
- FI1 Supply air filter
- HR-R Rotating heat exchanger
- B1 Temperature sensor, supply air
- EB1 Water heating battery
- F10 Overheating thermostat, manual reset
- F20 Overheating thermostat
- M1 Supply air fan
- M2 Extract air fan
- M4 Rotor motor

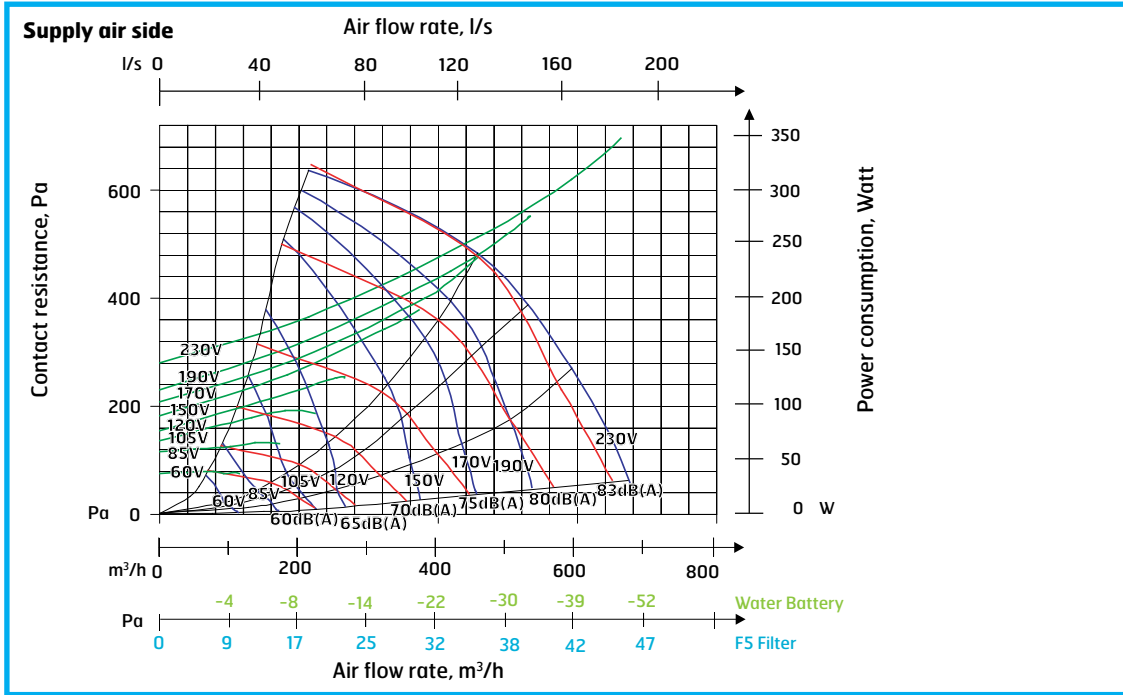
Dimensioned Drawing (left modell)

Dimensions in mm



Flexit S7 R

Capacity Diagram S7 R (measured with F7 filter)



Sound data is given at sound power level LwA in the capacity diagrams and is corrected with the table below for the various octave bands. Radiated noise produces Lw in the various octave bands and total LwA. Radiated noise is calculated by taking the noise value from the supply air table and deducting the total value from the correction factor table.

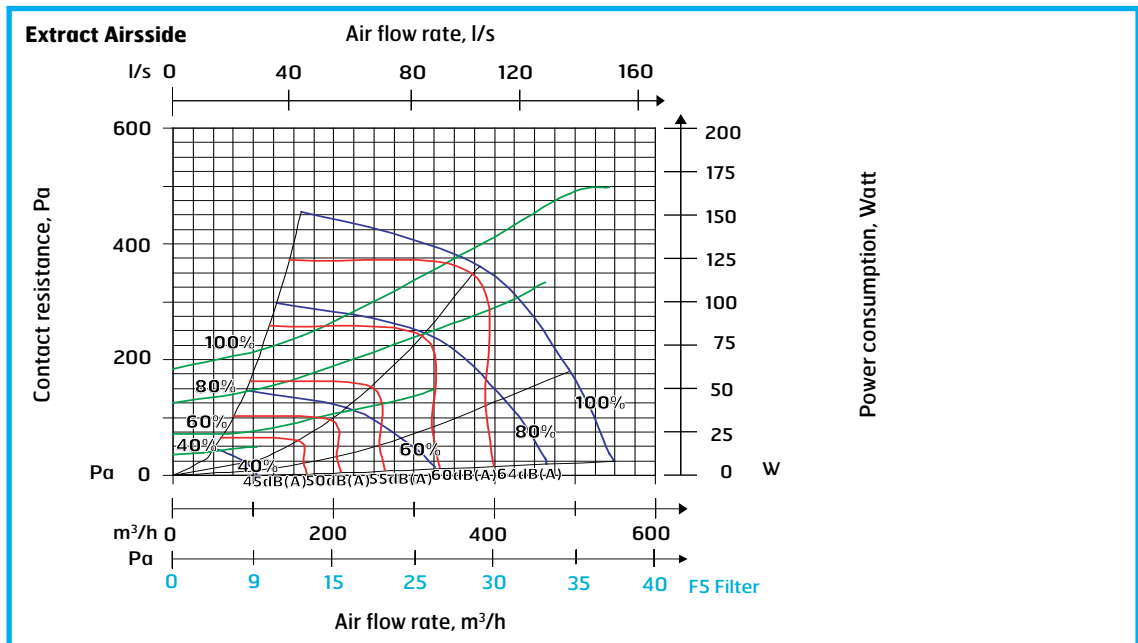
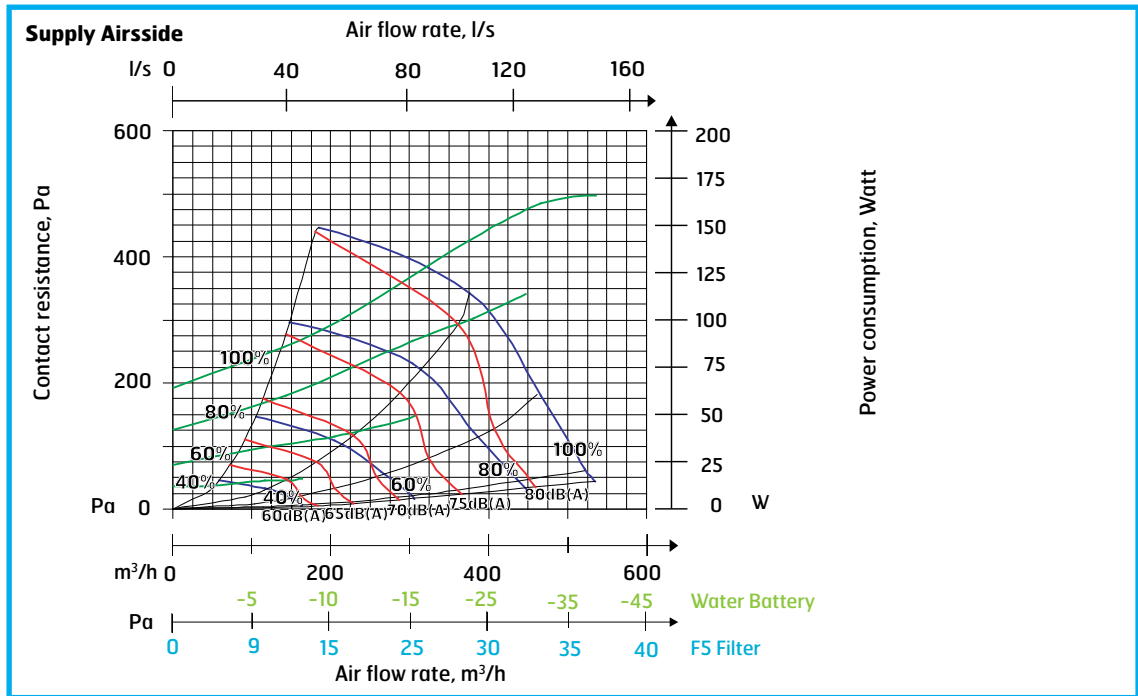
Correction factor for Lw									
Hz	63	125	250	500	1000	2000	4000	8000	Total LwA
Supply air	3	1	-4	-4	-5	-7	-19	-24	
Extract air	10	11	3	-4	-9	-15	-26	-41	
Radiated	-43	-31	-33	-34	-38	-38	-39	-44	-30,6

Supply air data is measured in accordance with ISO 5136, the in-duct method. Radiated noise is measured in accordance with ISO 9614-2. Bruel & Kjaer measuring equipment, type 2260.

- Blue curves:** Air capacity at various capacity settings in Volt.
- Green curves:** Supply air fan power consumption at various capacity settings.
- Red curves:** Sound power level LwA, cf. correction table.
- Light blue correction axis:** Pressure increase using an EU-5 filter.
- Light green correction axis:** Pressure increase using water battery.

Flexit S7 R EC

Capacity Diagram S7 R EC (measured with F7 filter)



Sound data is given at sound power level L_{wA} in the capacity diagrams and is corrected with the table below for the various octave bands. Radiated noise produces L_w in the various octave bands and total L_{wA} . Radiated noise is calculated by taking the noise value from the supply air table and deducting the total value from the correction factor table.

Supply air data is measured in accordance with ISO 5136, the in-duct method. Radiated noise is measured in accordance with ISO 9614-2. Bruel & Kjaer measuring equipment, type 2260.

Correction factor for L_w									
Hz	63	125	250	500	1000	2000	4000	8000	Total L_{wA}
Supply air	3	1	-4	-4	-5	-7	-14	-24	
Extract air	10	11	-3	-4	-9	-15	-26	-41	
Radiated	-43	-31	-33	-34	-38	-38	-39	-44	-30,6

Blue curves: Air capacity at various capacity settings in Volt.
Green curves: Supply air fan power consumption at various capacity settings.
Red curves: Sound power level L_{wA} , cf. correction table.
Light blue correction axe: Pressure increase using an EU-5 filter.
Light green correction axe: Pressure increase using water battery.