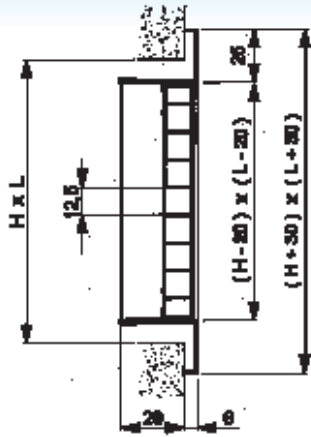


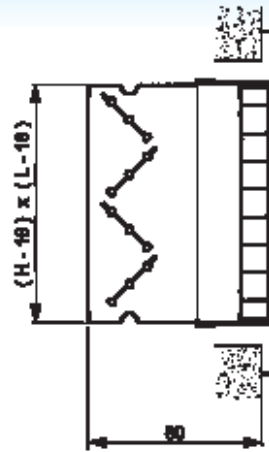
GRILLE WITH GRID CORE A-770/A-780

Installation dimensions

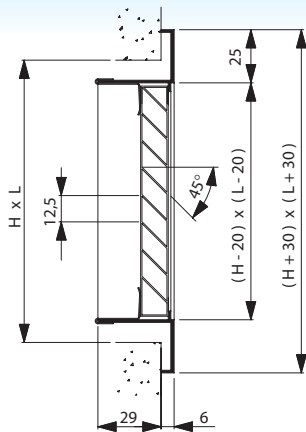
A-780



A-787

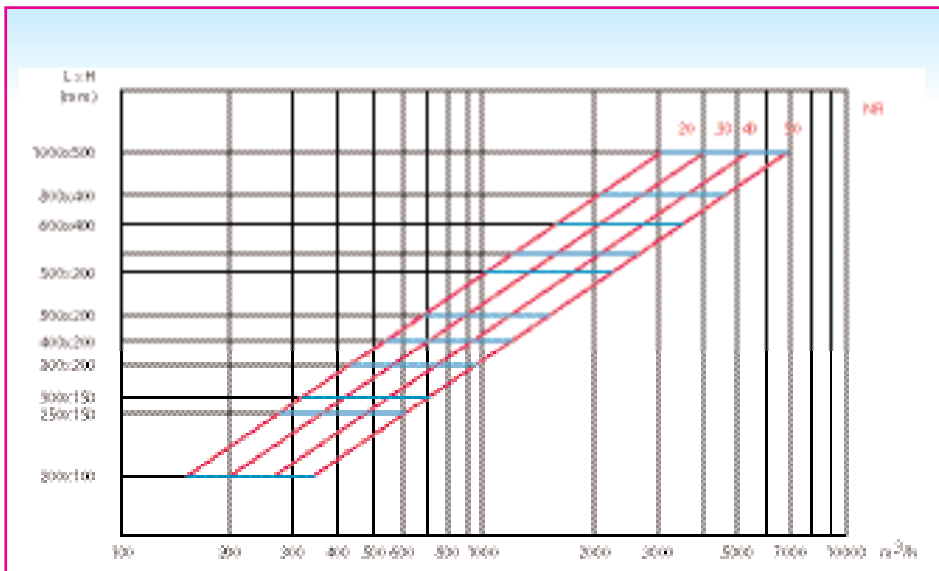


AD/AF770

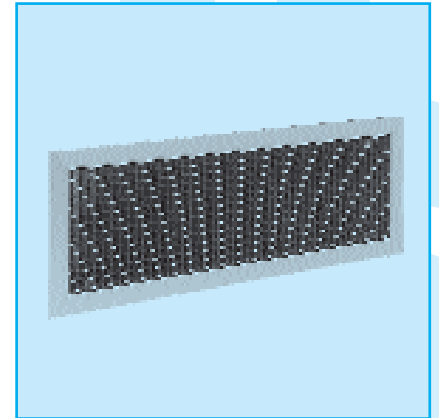


Nominal dimensions:
L = nominal length (mm)
H = nominal height (mm)
All dimensions in mm.

Fast selection diagram



For a detailed selection and other dimensions, see next page.



Application

The grille type A-770/A-780 is used for the exhaust of large quantities of air with minor pressure loss in facilities such as offices, warehouses, shopping centres, ...
The grille can be mounted in the wall or the ceiling (only AE and AF).

Technical information

Characteristics:

- grid core with straight links or links with 45° deflection
- links: 12,5 x 12,5 mm
- free passage ca. 85%
- available in multiples of 1 mm, in height as well as length
min L=100 mm, max L=600 mm
min H=100 mm, max H=1200 mm (A-770) and max L=1200 mm (A-780)
- GT007 only available in multiples of 25 mm in height as well as length

Construction:

- extruded aluminium margins, natural tone anodised
- mill finish aluminium grid core

Specifications description

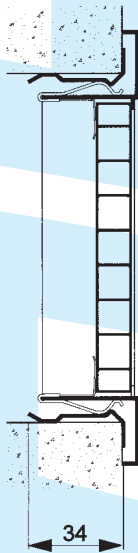
Example:

Aluminium exhaust grille with fixed grid core (straight links of 12,5 x 12,5mm), equipped with a damper. The margins are na-tural tone anodised.

Type : **AF780 + GT007**
nom. dim. (LxH) ... x ... mm

Fixing methods

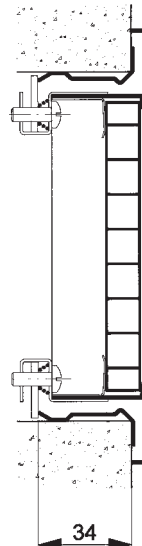
AD770/AD780 + GR001
Friction spring fixing and mounting frame



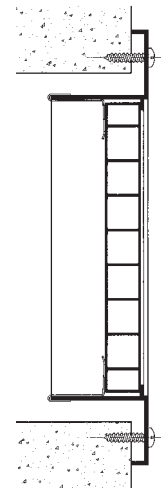
Accessories

- **GT007:** damper with vertical opposed blades. Construction of galvanised sheet steel, painted black.
(For further details, see p. 1 290)
- **GR001:** mounting frame of roll-formed, galvanised sheet steel (only for AD and AE)

AE780 + GR001
Concealed screw fixing and mounting frame



AF770/AF780
Visible screw fixing



How to order

AE780, dimension 300 x 300 mm, with damper GT007 and mounting frame GR001

a) Grille

A	E	7	8	7	-	-	0	3	0	0	0	3	0	0
							L				H			

0: without damper
7: with damper
7: links with 45° deflection
8: straight links

D: margin width 25 mm, friction spring fixing
E : margin width 25 mm, concealed screw fixing (only for A-780)
F : margin width 25 mm, screw fixing
U: false ceiling plate out of aluminium U-frame (see p. 2 501)

b) Mounting frame

G	R	0	0	1	-	-	0	3	0	0	0	3	0	0
							L				H			