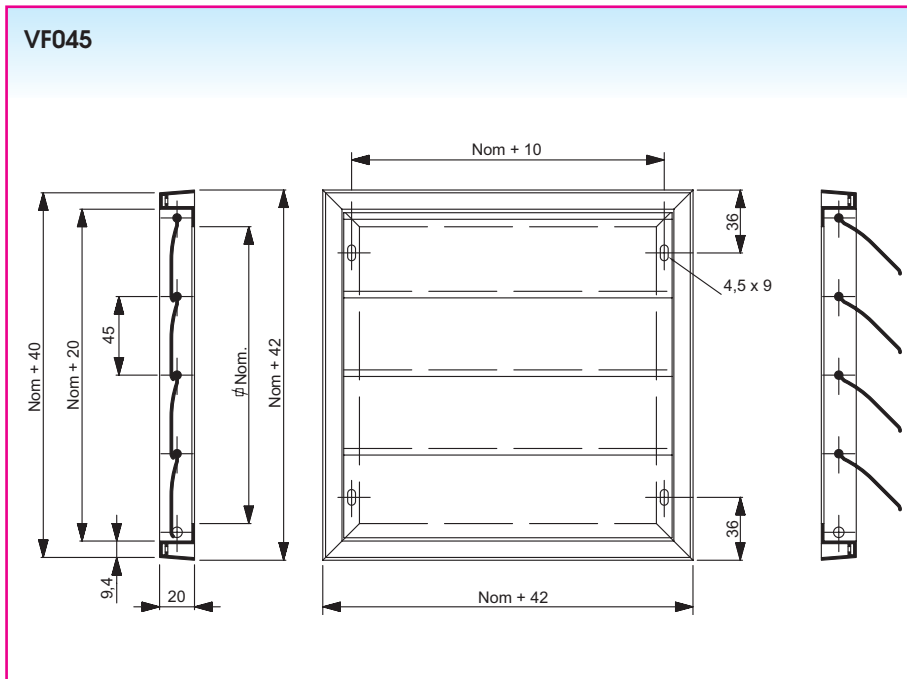


ALUMINIUM PRESSURE RELIEF DAMPER VF045

Installation dimensions



Application

Damper can be used as exhaust damper for cooker hood, exhaust ventilators in kitchens and sanitary installations.

Technical information

Characteristics

- Blades with acoustic closing strap for backfall
- Rotating blades with nylon bearings
- Available square nominal sizes: 80, 125, 170, 215, 260, 305, 350 mm.

Construction

- Completely out of extruded aluminium. Standard natural tone anodised 15 micron
- Other anodisations: Brown (1002,5M) and black (1004M)
- On request painted in RAL colours

Specifications description

Example :

Aluminium relief damper provided of blades with an acoustic closing strap, rotating in a nylon bearing. Standard natural tone anodised.

Type : VF045

nom. dim. (LxH) ... x ... mm

Fixing

- Damper used for wall mounting
- 4 screw holes in the frame, screws and plugs included

How to order

VF045, dimension 170 x 170 mm.

V	F	0	4	5	-	F	0	1	7	0	0	1	7	0
---	---	---	---	---	---	---	---	---	---	---	---	---	---	---

L H

- : natural tone anodised
 F : painted in RAL-colour
 B : brown anodised
 Z : black anodised

45 : blades in steps of 45 mm

F : screw fixing