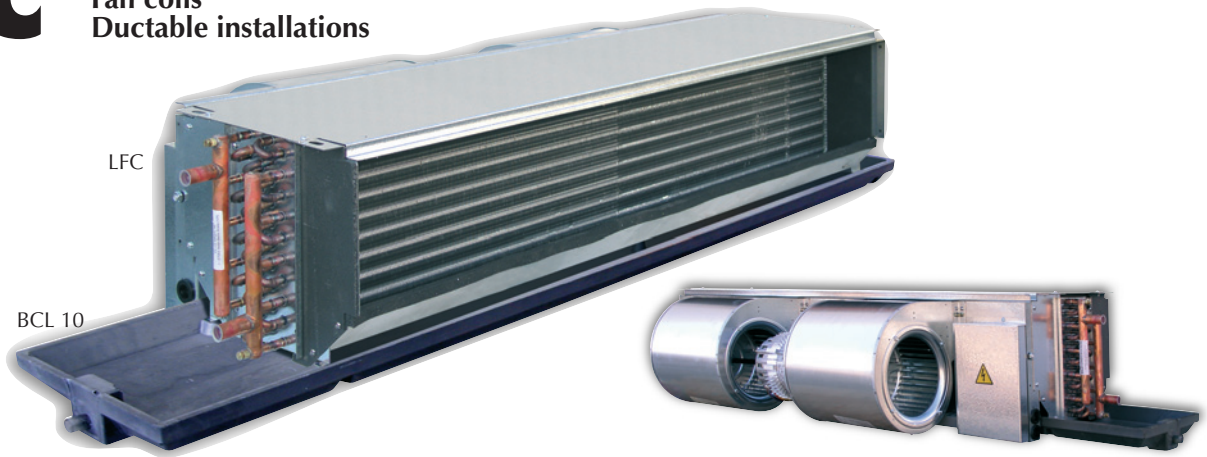


## LFC

Fan coils  
Ductable installations



### Features

- Air treatment terminal designed for ducted plants having a wide range of accessories in order to customize it and adapt it to any type of plant
- Available in 2 sizes and 3 versions:  
LFC 1240 and 1440: with 4-row coil  
LFC 1241 and 1441: with 4 +1 row coil  
LFC 1241R and 1441R: with 4-row battery with housing for candle-type electric resistor (not supplied)  
LFC 1250 and 1450: with 5-row coil
- Coil of 4 and 5 reversible rows
- Horizontal installation and easy access to the components
- 5-speed fan assembly, 3 of which selectable from the control panel
- Full compliance with the accident prevention regulations
- Broad range of controls and accessories
- Low noise operation
- Low load loss in the heat exchange coils
- Motors with permanently connected condensers
- Easy installation and maintenance
- Broad range of different residual heads for ducting

### Accessories

- **BCL 10:** Condensate drip tray. **Obligatory accessory in cooling operation and in conjunction with the VCL valves.**
- **CA:** Intake case.
- **CA 4:** Intake case with class G4 filter.
- **FA 1200:** Intake flange complete with connections. **Obligatory combination with CA / CA 4 accessory.**
- **FMT10:** Electronic thermostat for fan coils; can be connected to On/Off valves for closing coil water supply. Simplified controls with only 2 selectors for adjusting temperature and fan speed (3 speeds). Supplied with a standardized 3-module rectangular socket box (type 503) with a white cover. Air temperature sensor included. **Recessed installation.**
- **FMT20:** Electronic thermostat with LCD for fan coils; can be connected to On/Off valves for closing coil water supply. Simplified controls with only 2 selectors for adjusting temperature and fan speed (3 speeds). Supplied with a standardized 3-module rectangular socket box (type 503) with a white cover. Air temperature sensor included. **Recessed installation.**
- **PA 1200:** Intake plenum in zinc-plated sheet complete with circular section feed connections.
- **PM 1200:** Delivery plenum in internally insulated zinc-plated sheet complete with feed connections for circular section channels.
- **PX2:** Control panel with selector switch.
- **PXB:** Simplified control panel with electronic environment thermostat for wall-mount installations.
- **PXAE:** Electronic thermostat for fan coils installed in two-pipe or four-pipe systems. Simplified commands with two selectors for temperature and ventilation control (three speeds with manual or automatic control). It can control up to two valves of the On-Off type. **Wall mounting.**
- **PXAR:** Electronic thermostat for fan coils installed in two-pipe systems, and systems with two pipes with electric heater or four pipes (without electric heater). Simplified controls with just two selectors for the control of the temperature and the ventilation (3 speeds with manual or automatic control). The control of the electric heater can be activated using the speed selector. It can monitor the electric heater and one On-Off type valve or up to two On-Off type valves. **Water temperature sensor included. Wall mounting or mounting on the fan coil.**
- **RX 1200:** Armoured type electric coil of with safety thermostat.
- **SIT:** Connection electric panel. **Obligatory accessory in case of use of an Aermec control panel (excluding PX 2).**
- **SIT 5:** Thermostat interface cards. They allow to set up a fancoils network (max. 10) commanded by a centralised panel (switch or thermostat). **SIT5:** commands the 3 fan speeds and up to two valves (four-pipe system); it sends the thermostat commands to the fancoils network on each which the SIT accessory must be installed.
- **SW:** Probe for the electronic thermostats (excluding PXB) which permits operation of the unit only with water above 35 °C.
- **VCL:** Kit comprising motor-driven, 3-way valve, copper connections and tubes. For coils of 4-5 rows (VCL 1) and 1 row (VCL 2).
- **WMT05:** Electronic thermostat for fan coils installed in 2-pipe systems. **Wall installation.**
- **WMT10:** Electromechanical thermostat for fan coils, can be connected to On/Off valves for closing coil water supply. The panel is electrically protected by an internal fuse. The ventilation system is selected by applying jumpers during installation. **Wall installation.**

## Electronic thermostat (PXAE and PXAR)

### Silent operation

The absence of electro-mechanical actuators eliminates the typical clicking noises generated by relays in certain conditions. This fact, combined with the silent ventilation, ensure the outstanding acoustic comfort standards of Aermec fancoils.

### Automatic on - off

After a check of the input water temperature, the microprocessor starts up or shuts down (to stand-by) the fan (and valve if fitted) in summer or winter operation mode.

### Automatic season changeover

After a check of the input water temperature (with water temperature probe), the panel automatically positions to winter or summer operation, changing also the thermostat temperature scale.

### Automatic fan speed change

Possibility of automatic fan speed change to ensure gradual modulation of power supplied.

### Other functions:

AUTOTEST, winter antifreeze check and electric heater (PXA\_R).

Mod. LFC	Compatibility of accessories							
	1240	1241	1241R	1250	1440	1441	1441R	1450
BCL 10	✓	✓	✓	✓	✓	✓	✓	✓
CA	✓	✓	✓	✓	✓	✓	✓	✓
CA 4	✓	✓	✓	✓	✓	✓	✓	✓
FA 1200	✓	✓	✓	✓	✓	✓	✓	✓
FMT10	✓	✓	✓	✓	✓	✓	✓	✓
FMT20	✓	✓	✓	✓	✓	✓	✓	✓
PA 1200	✓	✓	✓	✓	✓	✓	✓	✓
PM 1200	✓	✓	✓	✓	✓	✓	✓	✓
PX2	✓	✓	✓	✓	✓	✓	✓	✓
PXB	✓	✓	✓	✓	✓	✓	✓	✓
PXAE	✓	✓	✓	✓	✓	✓	✓	✓
PXAR	✓	✓	✓	✓	✓	✓	✓	✓
RX 1200	✓	✓	✓	✓	✓	✓	✓	✓
SIT	✓	✓	✓	✓	✓	✓	✓	✓
SIT 5	✓	✓	✓	✓	✓	✓	✓	✓
SW3	✓	✓	✓	✓	✓	✓	✓	✓
VCL 1	✓	✓	✓	✓	✓	✓	✓	✓
VCL 2	✓	✓	✓	✓	✓	✓	✓	✓
WMT05	✓	✓	✓	✓	✓	✓	✓	✓
WMT10	✓	✓	✓	✓	✓	✓	✓	✓

## Technical data

Mod. LFC		1240 / 1241R	1241	1250	1440 / 1441R	1441	1450
Heating capacity	W (max.)	19650	9700	21500	21600	10300	23500
	W (med.)	15500	8700	16900	17500	9100	19100
	W (min.)	13500	7600	14700	14500	8000	15800
Water flow rate	l/h	1690	830	1850	1860	890	2020
Water pressure drops	kPa	25.9	25.0	37.7	30.8	25.0	44.7
Total cooling capacity	W (max.)	9150	9150	10400	10000	10000	11400
	W (med.)	7500	7500	8600	8500	8500	9800
	W (min.)	6600	6600	7550	7200	7200	8300
Sensible cooling capacity	W (max.)	6900	6900	7700	7550	7550	8500
	W (med.)	5500	5500	6200	6250	6250	7100
	W (min.)	4750	4750	5350	5200	5200	5850
Water flow rate	l/h	1570	1570	1790	1720	1720	1960
Water pressure drops	kPa	30.2	30.2	48.4	36.0	36.0	57.6
Air flow rate	m <sup>3</sup> /h (max.)	1500	1500	1500	1700	1700	1700
	m <sup>3</sup> /h (med.)	1100	1100	1100	1300	1300	1300
	m <sup>3</sup> /h (min.)	900	900	900	1000	1000	1000
Effective pressure with max. air flow rate	Pa	80	80	80	80	80	80
Fans	n.	2	2	2	2	2	2
♪ Sound pressure	dB (A) (max.)	53.5	53.5	53.5	57.5	57.5	57.5
	dB (A) (med.)	47.5	47.5	47.5	50.5	50.5	50.5
	dB (A) (min.)	42.0	42.0	42.0	45.5	45.5	45.5
Sound power	dB (A) (max.)	62.0	62.0	62.0	66.0	66.0	66.0
	dB (A) (med.)	56.0	56.0	56.0	59.0	59.0	59.0
	dB (A) (min.)	50.5	50.5	50.5	54.0	54.0	54.0
Sound power with max. effective pressure	dB (A)	65.0	65.0	65.0	69.0	69.0	69.0
Water contents	l	2.8	2.8 + 0.7	3.5	2.8	2.8 + 0.7	3.5
Max. motor power	W	309	309	309	328	328	328
Input current	A	1.44	1.44	1.44	1.48	1.48	1.48
Max. input current	A	1.6	1.6	1.6	1.6	1.6	1.6
Peak current	A	4.32	4.32	4.32	4.44	4.44	4.44
Coil connections	ø mm	18	18	18	18	18	18

**Power supply** = 1~ 230V 50Hz.

Performance values refer to the following conditions:

♪ Sound pressure measured in an 85 m<sup>3</sup> semi-reverberant test chamber with reverberation time Tr = 0.5s.

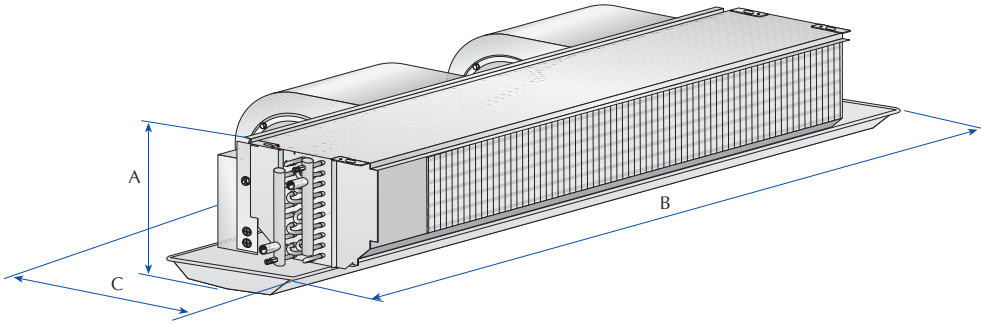
■ Cooling:

- room air temperature 27 °C D.B., 19 °C W.B.;
- water inlet temperature 7 °C; max. water flow rate;
- Δt water 5 °C.
- for medium and low speed, water flow rate remains same as at maximum speed.

■ Heating:

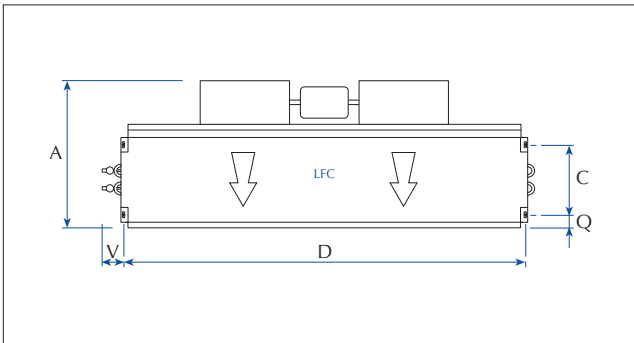
- room air temperature 20 °C;
- water inlet temperature 70 °C; max. water flow rate;
- Δt water 10 °C;
- for medium and low speed, water flow rate remains same as at maximum speed.

**Dimensions (mm)**

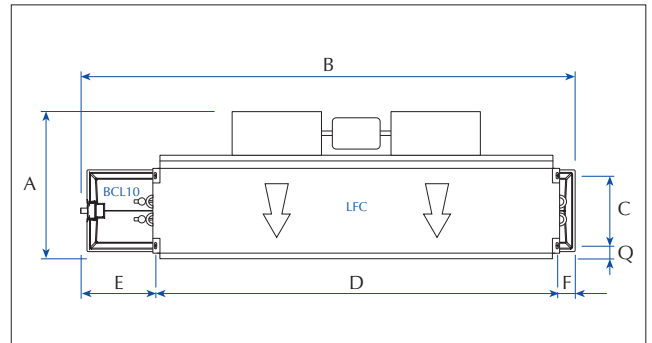


Mod LFC		1240	1241	1241R	1250	1440	1441	1441R	1450
Height	A	303	303	303	303	303	303	303	303
Width	B	1500	1500	1500	1500	1500	1500	1500	1500
Depth	C	549	549	549	549	549	549	549	549
Weight	Kg	31	33	33	33	31	33	33	33

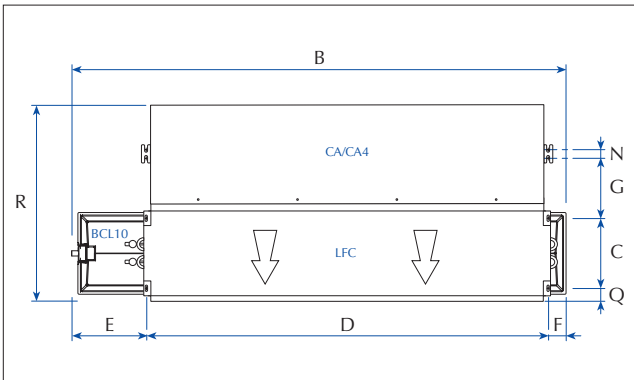
**LFC**



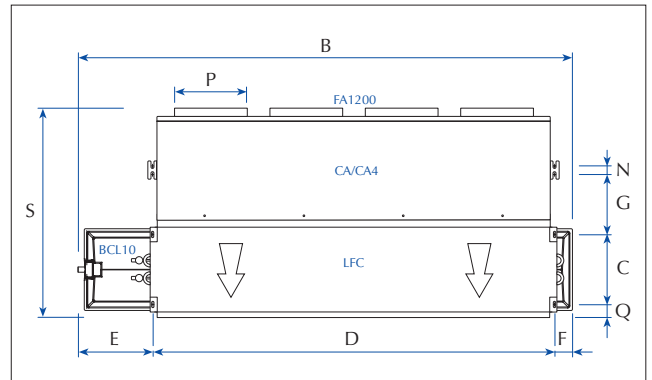
**LFC + BCL 10**



**LFC + BCL 10 + CA/CA4**



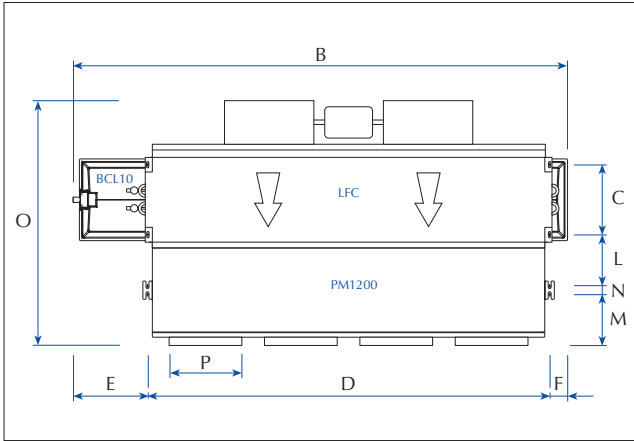
**LFC + BCL 10 + CA/CA4 + FA 1200**



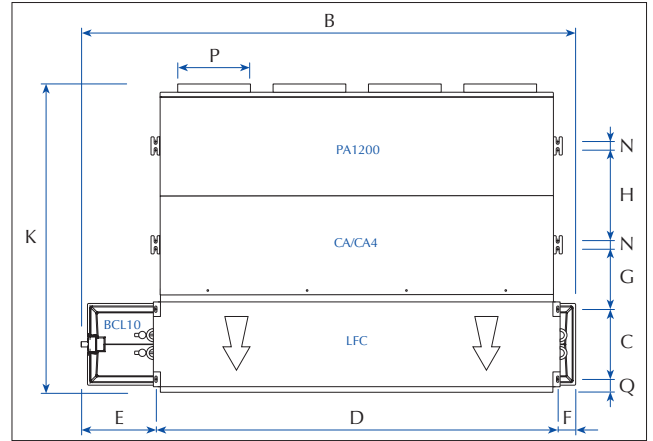
A	B	C	D	E	F	G	H	K	L	M	N	O	P	Q	R	S	T	U	V
549	1519	209	1229	227	63	190	273	937	168	160	19	847	225	49	607	648	946	1236	79

## Dimensions (mm)

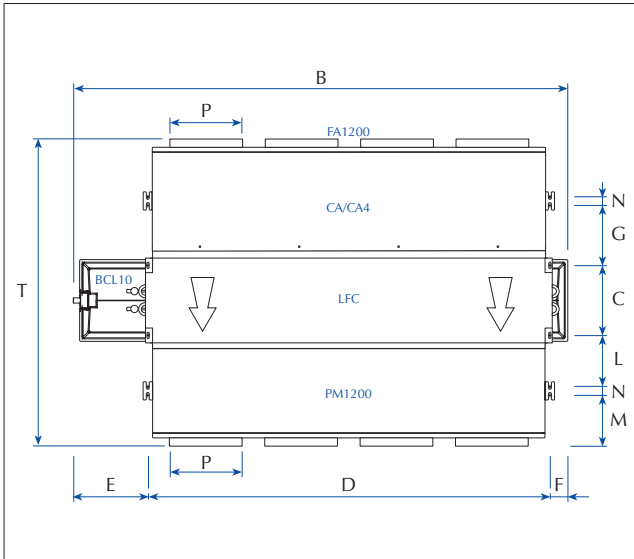
LFC + BCL 10 + PM 1200



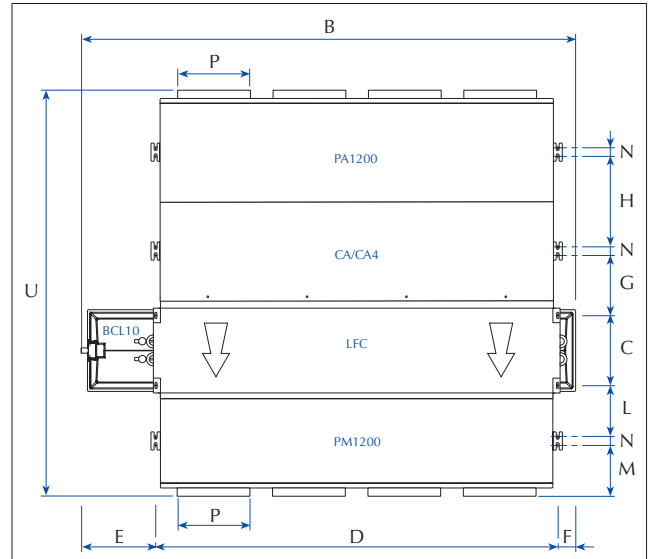
LFC + BCL 10 + CA/CA4 + PA 1200



LFC + BCL 10 + CA/CA4 + Fa 1200 + PM 1200



LFC + BCL 10 + CA/CA4 + PM 1200 + PA 1200



A	B	C	D	E	F	G	H	K	L	M	N	O	P	Q	R	S	T	U	V
549	1519	209	1229	227	63	190	273	937	168	160	19	847	225	49	607	648	946	1236	79