

TURBOVENT T rotary chimney cowl



Material

Base and Cap of Stainless steel.
(EN10088: 1.4301-304).

Usage

Ventilation & Combustion ducts.

Diameter	Turbine rotation diameter D
Ø150	~ 188

3.26b

Description

The rotary chimney cowl **Turbovent T** is a device, which, in a dynamic way, uses the wind force to increase the chimney draught. The turbine always rotates in the same direction no matter of the wind strength or its direction. It is to be mounted on a gravitation based chimney ducts endings: ventilation or flue-gas heating.

Maximal working temperatures: 150°C

Rotating unit: ball bearing system sunk in a high-temperature oil

Usage

- when there are wind fluctuations on the chimney duct ending, caused by its bad location.
- when there is a unfavorable terrain configuration, with strong and frequent winds.
- when there is a lack of chimney draught or it is too weak.
- in order to improve the natural (gravitation) ventilation.

Product Codes : DTUT 150 {d} [d = Base version]

Conservation

If applicable all the chimney cowls need to be inspected by chimney-sweep according National laws and regulations.

Maintenance

The chimney-sweep should also clean the cowl from dirt and re-lubricate the moving parts of the **Turbovent T** (if it is necessary).

For conservation and maintenance purposes it is necessary to open the cowl, or unscrew the screws and take it off.

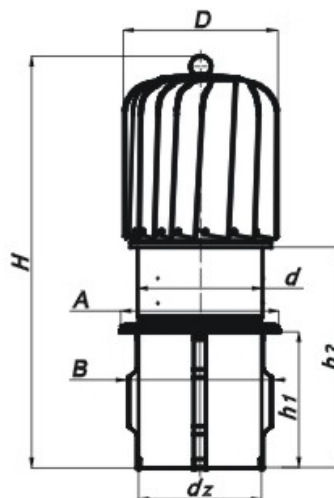
The information contained in this brochure was current on the publication date. The Company reserves the right to make changes in details at any time without prior notice. In order to avoid misunderstandings, any interested party is advised to contact the Company checking for any changes in materials and/or information after this brochure was published.

Version 2005 www.decinternational.com

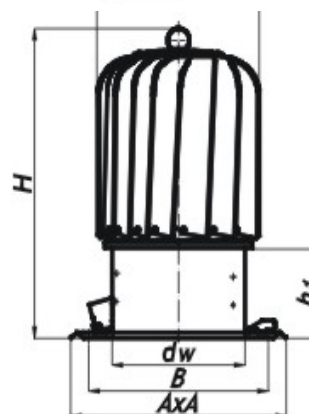
TURBOVENT T rotary chimney cowl



- Force-in mounting base [T]
Ø150



- Square base [S]
Ø150



3.26b

Measurements table for various inlet diameters

Ø 150	Measurements [mm]							Weight [kg]
Base version	dw	dz	H	h1	h2	A	B	
T	-	144.0	475	155	240	207	158	1.60
S	149.0	-	330	95	-	250	208	1.35

Also available on request:

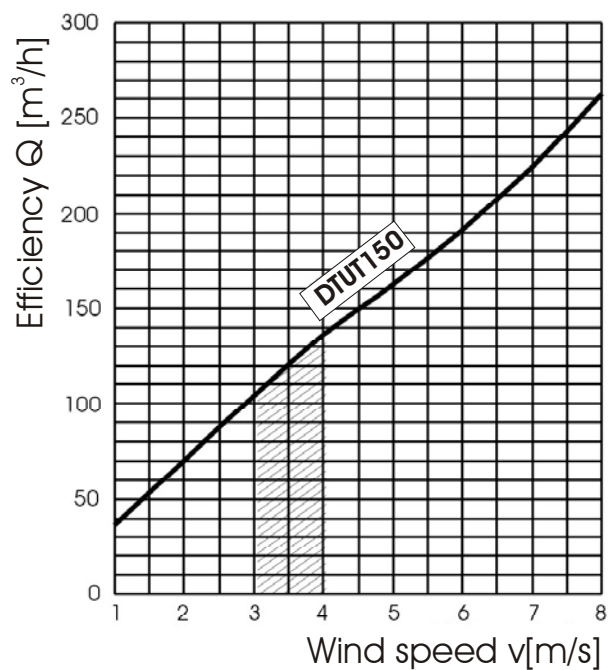
- Other bases.
- Other Base and Cap material.
- Motorized version.

The information contained in this brochure was current on the publication date. The Company reserves the right to make changes in details at any time without prior notice. In order to avoid misunderstandings, any interested party is advised to contact the Company checking for any changes in materials and/or information after this brochure was published.

Version 2005 www.decinternational.com

TURBOVENT T rotary chimney cowl

Airflow charts.



Efficiency chart for **Turbovent T** (various diameters) in a function of windspeed, not including the influence of chimney height
1m/s = 3.6 KM/h

3.26b