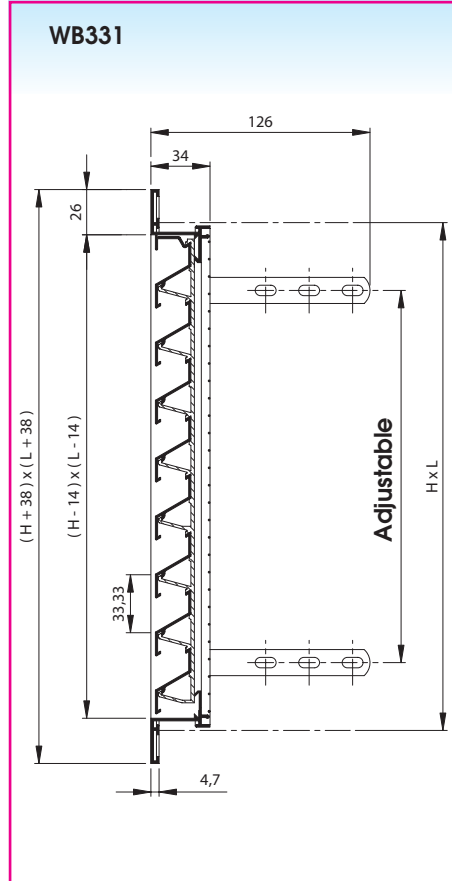
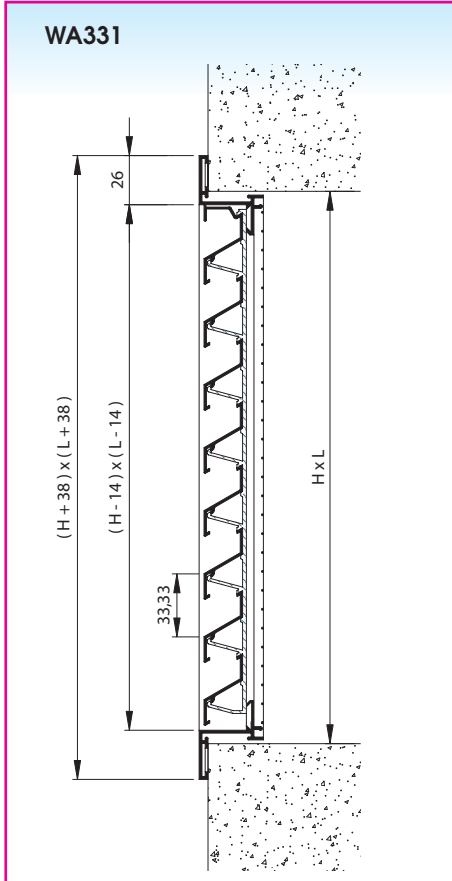


BUILD-IN EXTERNAL LOUVRE W-331

Installation dimensions



Application

The external louvre, type W-331, is designed for wall application, for supply and exhaust of small air volumes.

in heating, ventilating or airconditioning installations.

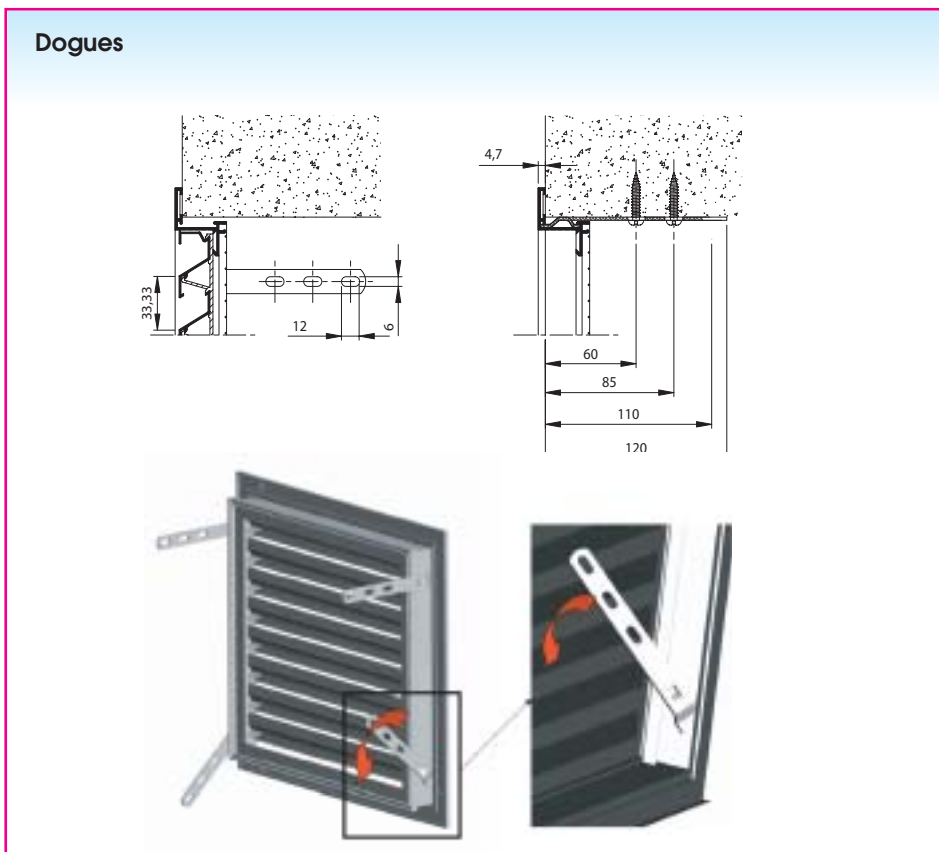
The design and the mounting of the Z-shaped blades ensure a weatherproof louvre.

At the back there is standard a welded synthetic insect screen with 1.6 x 1.4 maze.

Technical information

Characteristics

- Z-shaped blades under 60°
- blades are clipped-in synthetic blade holder
- blade height 38mm
- depth 30mm
- margin and blades 26mm
- distance of the blades = 33 mm
- total cross-section 1.25mm/1.50mm
- 30mm surface mounting height
- physical passage 43%
- equipped with a welded synthetic insect screen (1.6 x 1.4 maze x ø 0.24 mm), 69% free passage
- weatherproof
- available in multiples of 1 mm in length and 10 mm in height min L=150 mm, max L=2000 mm min H=100 mm, max H=2000 mm



All dimensions in mm.

Construction

- margin and blades are made out of extruded aluminium, natural tone anodised.
- when natural tone anodised, synthetic blade holder coloured light gray
- standard welded synthetic Insect screen with 1.6 x 1.4 x 0.24mm maze, 69% free passage
- on request, painted in RAL colour
- on request:
 - woven stainless steel insect screen (1,4 x 1,4 x ø 0,24)
 - woven aluminium insect screen (1,8 x 1,4 x ø 0,22)
 - welded synthetic insect screen (2.8x 2.8 x ø 0,25 mm)

Specifications description

Example :

Aluminium external build-in louvre, for small air volumes with fixed Z-shaped blades of extruded profiles. Equipped with a welded synthetic insect screen 1.6x1.4mm maze
 Standard finish : natural tone anodised.
 Fixation by dogues

Type : **WB331**
 nom. dim. (LxH) ... x ... mm

Fixation

- the louvres are fixed to the wall by meaning of screws (WA or WF)
- the screwholes are already provided for the execution WF
- the louvres are fixed to the wall by dogues (WB)

Possible deliveries

- **WA330** : without screw holes, without dogues, without insect screen
- **WB330** : without screw holes, with dogues, without insect screen
- **WF330** : with screw holes, without insect screen
- **WA331** : without screw holes, without dogues, with synthetic insect screen 1.6x1.4mm
- **WB331** : without screw holes, with dogues and with synthetic insect screen 1.6x1.4mm
- **WF331** : with screw holes and with synthetic insect screen 1.6x1.4mm
- **WA332** : without screw holes, without dogues, with stainless steel insect screen 1.4x1.4mm
- **WB332** : without screw holes, with dogues and stainless steel insect screen 1.4x1.4mm
- **WF332** : with screw holes and stainless steel insect screen 1.4x1.4mm
- **WA333** : without screw holes, without dogues, with aluminium insect screen 1.8x1.4mm
- **WB333** : without screw holes, with dogues and aluminium insect screen 1.8x1.4mm
- **WF333** : with screw holes and aluminium insect screen 1.8x1.4mm
- **WA334** : without screw holes, without dogues and with synthetic insect screen 2.8x2.8mm
- **WB334** : without screw holes, with dogues and synthetic insect screen 2.8x2.8mm
- **WF334** : without screw holes, without dogues and with synthetic insect screen 2.8x2.8mm

How to order

WB331, dimension 500 x 300 mm

a) Louvre

W	B	3	3	1	-	-	0	5	0	0	0	3	0	0
						L					H			

- : complete piece
 L : end piece left
 M : middle piece
 R : end piece right

0 : louvre without insect screen
 1 : louvre with synthetic insect screen 1,6 x 1,4mm
 2 : louvre with stainless steel insect screen 1,4 x 1,4mm
 3 : louvre with aluminium insect screen 1,8 x 1,4mm
 4 : louvre with synthetic insect screen 2,8 x 2,8mm

A : without screwholes, without dogues
 B : without screwholes, with dogues
 F : with screwholes, without dogues