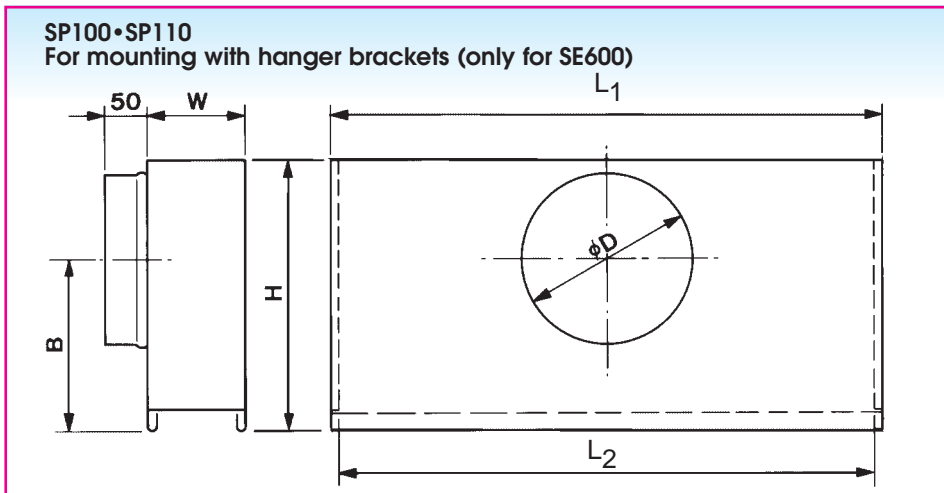


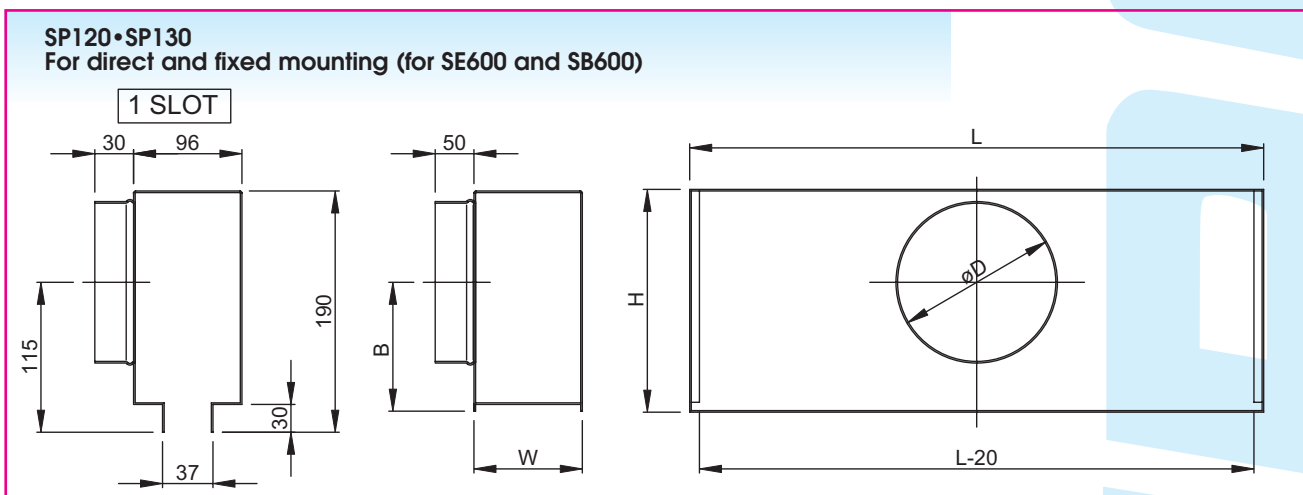
### PLENUM FOR SLOT DIFFUSER SP100

#### Installation dimensions



	Number of slots							
	1	2	3	4	5	6	7	8
Ø D	123	158	198	198	248	248	313	313
B	127	155	192	242	268	268	282	282
H	203	248,5	305	355	406	406	450	450
W	57,5	94	130,5	167	203,5	240	276,5	313

SP100•SP110 :            L<sub>1</sub> = L + 35            L<sub>2</sub> = L + 11  
 SP100L&R•SP110L&R :    L<sub>1</sub> = L + 168            L<sub>2</sub> = L + 6  
 SP100M•SP110M :        L<sub>1</sub> = L                    L<sub>2</sub> = L



	Number of slots							
	1	2	3	4	5	6	7	8
Ø D	123	158	198	198	248	248	313	313
B	-	126	156	206	231	231	252	252
H	-	220	270	320	370	370	420	420
W	-	71	107,5	144	180,5	217	253,5	290

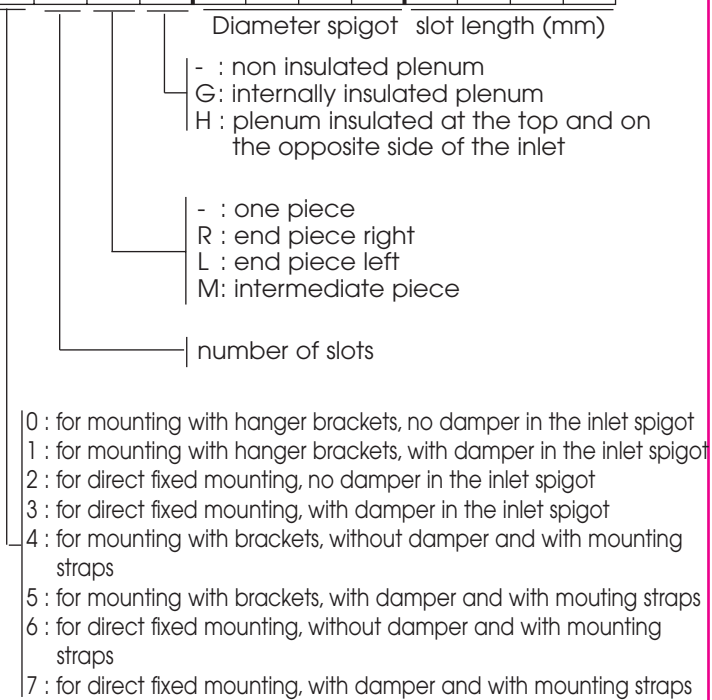
**\*NOTE:** L (Left) and R (Right) looking on the front of the plenum  
 L = slot length  
 All dimensions in mm



## How to order

SP100 for a slot diffuser with 2 slots, insulated, for mounting with hanger brackets, no damper, L = 1000 mm; delivered separately.

S	P	1	0	2	-	G	0	1	6	0	1	0	0	0
---	---	---	---	---	---	---	---	---	---	---	---	---	---	---



**\*NOTE : L (Left) and R (Right) looking on the front of the plenum**