



CDF 35T

FUNCTION

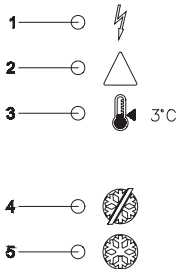
The CDF 35T works in accordance with the condensation principle. A fan draws the humid air into the dehumidifier and through an evaporator coil. When passing through the evaporator the air is cooled down to below its dew point temperature, and its content of water vapour is condensed into water, which falls into the drip tray and then is led from the drip tray to a drain. The cold, dry air is then passed over the condenser coil where it is re-heated, before leaving the unit at a temperature, which is approx. 5°C higher than at the inlet.

CONSTRUCTION

- The CDF 35T is built into a hot-galvanized sheet metal cabinet
- All external and internal parts of the cabinet are enamel powder painted
- The CDF 35T is fixed to the wall by means of a wall mounting strip supplied with the unit
- The condensate outlet is located at the bottom of the CDF 35T. The outlet stub can be connected to a 1/2" water hose.
- Rotary compressor
- Radial fan
- Duct kit including alu-grilles, filter and through-wall ducting suitable for wall thicknesses from 70 to 350 mm (optional extra).

ELECTRONIC CONTROL

The CDF 35T has a built-in hygrostat and is fully automatic with electronic control. The hygrostat is factory set to approx. 60%RH. An easy to read display panel indicates the current status of operation.



1. Power on
2. Cooling circuit failure – The dehumidifier is switched off
3. Ambient temperature below 3°C – the dehumidifier is switched off. The dehumidifier starts again automatically when the ambient temperature increases to more than 3°C
4. Defrosting mode – the evaporator is being defrosted
5. The evaporator is icing up. The defrosting function allows icing up for 30 minutes before defrosting is activated

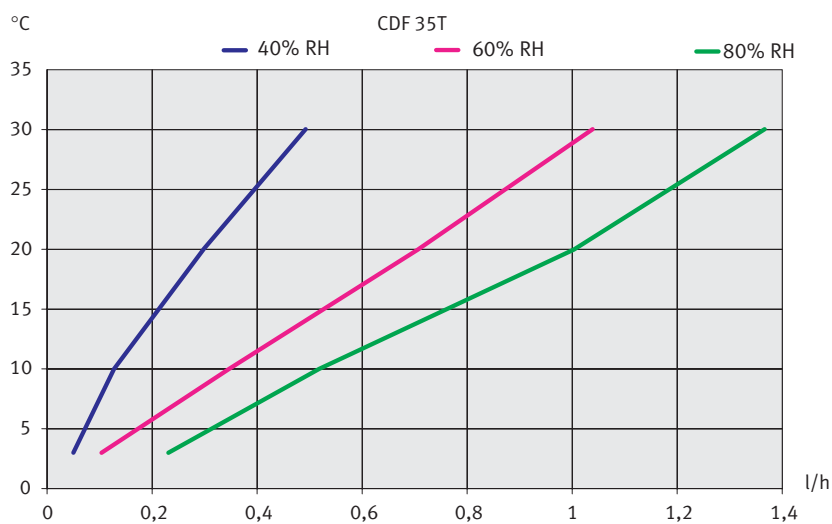
Active, demand-controlled defrosting is incorporated in the electronic control. A sensor on the evaporator coil ensures that the evaporator is only defrosted when required. The evaporator coil is defrosted by means of hot refrigerant bypassing the condenser and being fed through the evaporator.

If the relative humidity has to be adjusted frequently, a remote room hygrostat can be connected to the CDF 35T.

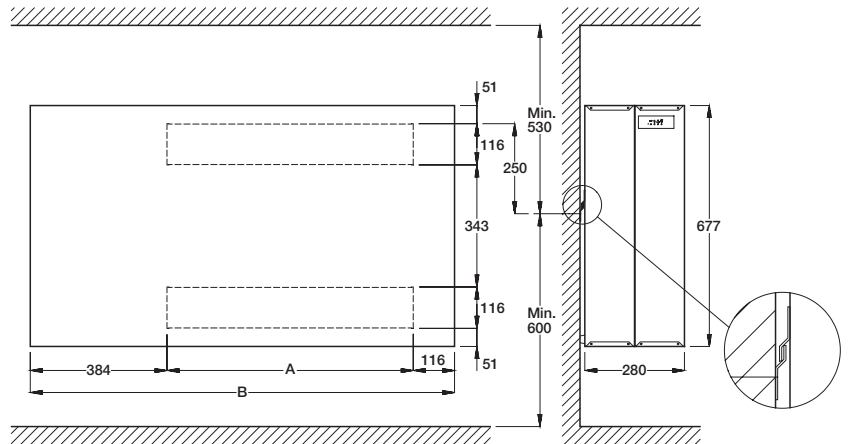
TECHNICAL DATA

		CDF 35T
Operating range – humidity	%RH	40 – 100
Operating range – temperature	°C	3 – 30
Air volume	m ³ /h	250
Power supply	V/Hz	1x230/50
Max. ampere consumption	A	3,0
Max. power consumption	kW	0,70
Refrigerant		R407C
Quantity of refrigerant	kg	0,600
Sound level (at 1 metre)	dB(A)	44
Weight	kg	57
Colour	RAL	7024
Protection class		IPX4

CAPACITY CURVES

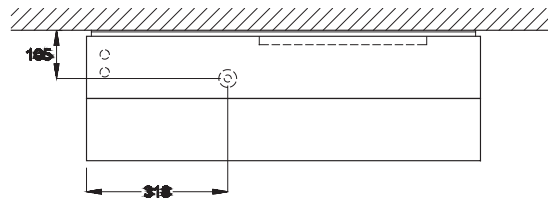


DIMENSIONS

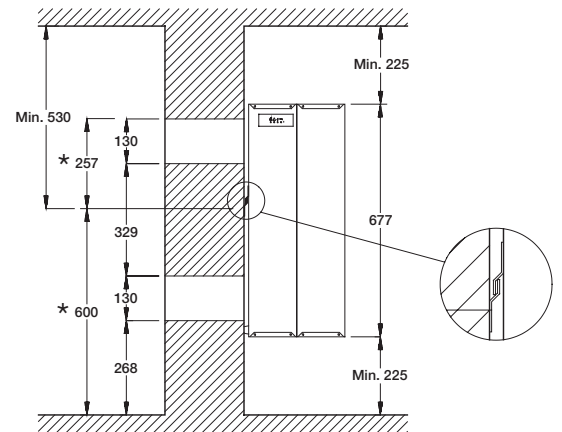


	A	B	Duct opening in the wall
CDF 35T	387	887	130x410

Drain outlet position



Recommended placing of the CDF 35T

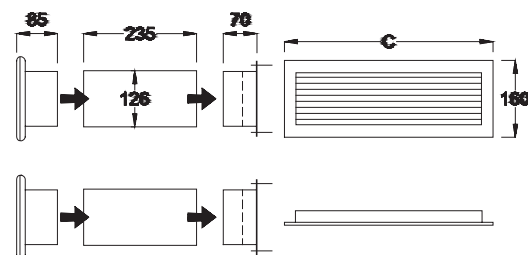


*The dimensions indicate the placing of the wall mounting strip

ACCESSORIES

- Room hygrosat
- Through-wall duct kit
- Ext. failure monitoring

Through-wall duct kit



	C
CDF 35T	434

All dimensions are in mm



CDF 45T

FUNCTION

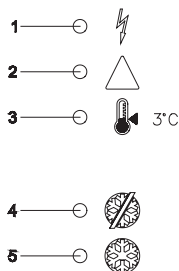
The CDF 45T works in accordance with the condensation principle. Two fans draw the humid air into the dehumidifier and through an evaporator coil. When passing through the evaporator the air is cooled down to below its dew point temperature, and its content of water vapour is condensed into water, which falls into the drip tray and then is led from the drip tray to a drain. The cold, dry air is then passed over the condenser coil where it is re-heated, before leaving the unit at a temperature, which is approx. 5°C higher than at the inlet.

CONSTRUCTION

- The CDF 45T is built into a hot-galvanized sheet metal cabinet
- All external and internal parts of the cabinet are enamel powder painted
- The CDF 45T is fixed to the wall by means of a wall mounting strip supplied with the unit
- The condensate outlet is located at the bottom of the CDF 45T. The outlet stub can be connected to a 1/2" water hose.
- Rotary compressor
- Radial fans
- Duct kit including alu-grilles, filter and through-wall ducting suitable for wall thicknesses from 70 to 350 mm (optional extra).

ELECTRONIC CONTROL

The CDF 45T has a built-in hygrostat and is fully automatic with electronic control. The hygrostat is factory set to approx. 60%RH. An easy to read display panel indicates the current status of operation.



1. Power on
2. Cooling circuit failure – the dehumidifier is switched off
3. Ambient temperature below 3°C – the dehumidifier is switched off. The dehumidifier starts again automatically when the ambient temperature increases to more than 3°C
4. Defrosting mode – the evaporator is being defrosted
5. The evaporator is icing up. The defrosting function allows icing up for 30 minutes before defrosting is activated

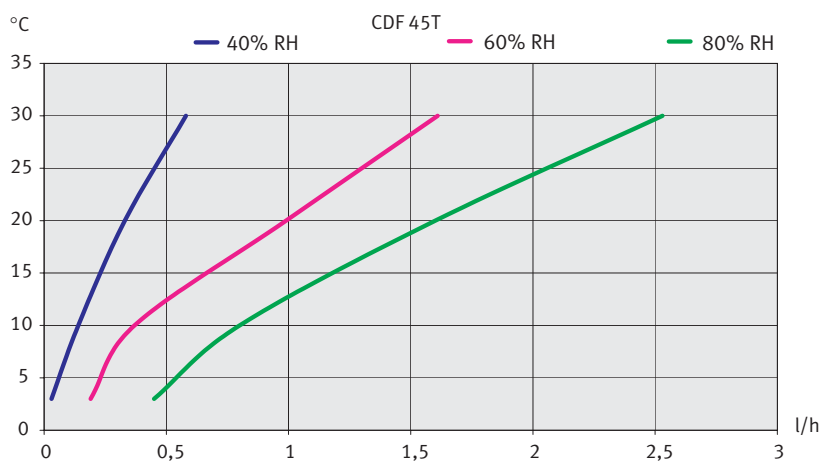
Active, demand-controlled defrosting is incorporated in the electronic control. A sensor on the evaporator coil ensures that the evaporator is only defrosted when required. The evaporator coil is defrosted by means of hot refrigerant bypassing the condenser and being fed through the evaporator.

If the relative humidity has to be adjusted frequently, a remote room hygrostat can be connected to the CDF 45T.

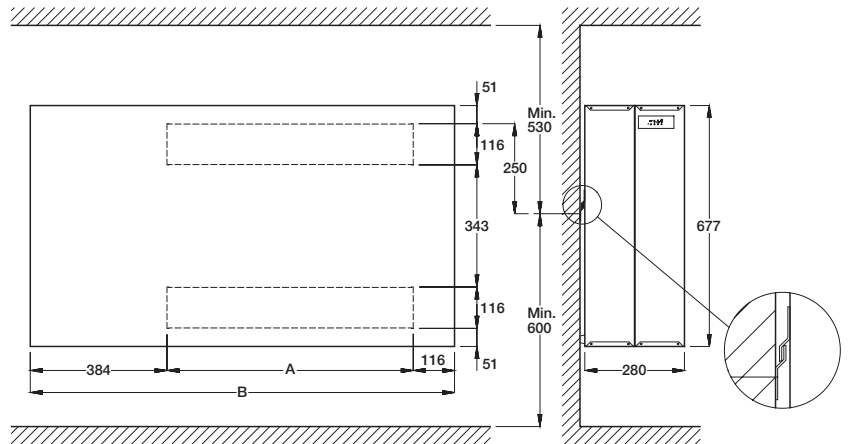
TECHNICAL DATA

		CDF 45T
Operating range – humidity	%RH	40 – 100
Operating range – temperature	°C	3 – 30
Air volume	m ³ /h	500
Power supply	V/Hz	1x230/50
Max. ampere consumption	A	5,3
Max. power consumption	kW	1,2
Refrigerant		R407C
Quantity of refrigerant	kg	0,950
Sound level (at 1 metre)	dB(A)	46
Weight	kg	68
Colour	RAL	7024
Protection class		IPX4

CAPACITY CURVES

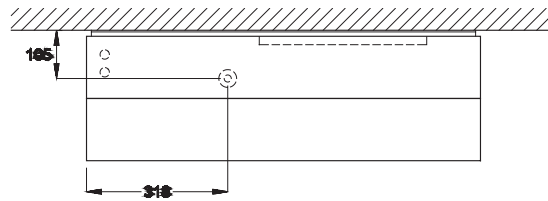


DIMENSIONS

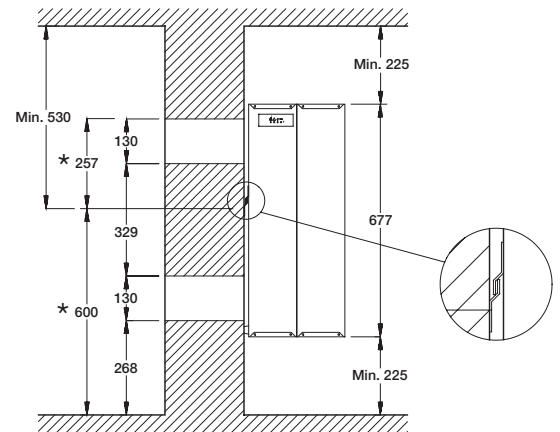


	A	B	Duct opening in the wall
CDF 45T	692	1192	130x720

Drain outlet position



Recommended placing of the CDF 45T

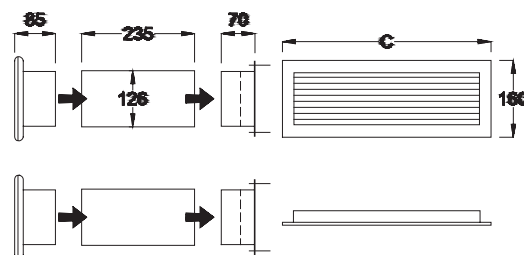


*The dimensions indicate the placing of the wall mounting strip

ACCESSORIES

- Room hygrosat
- Through-wall duct kit
- Ext. failure monitoring

Through-wall duct kit



	C
CDF 45T	743

All dimensions are in mm

