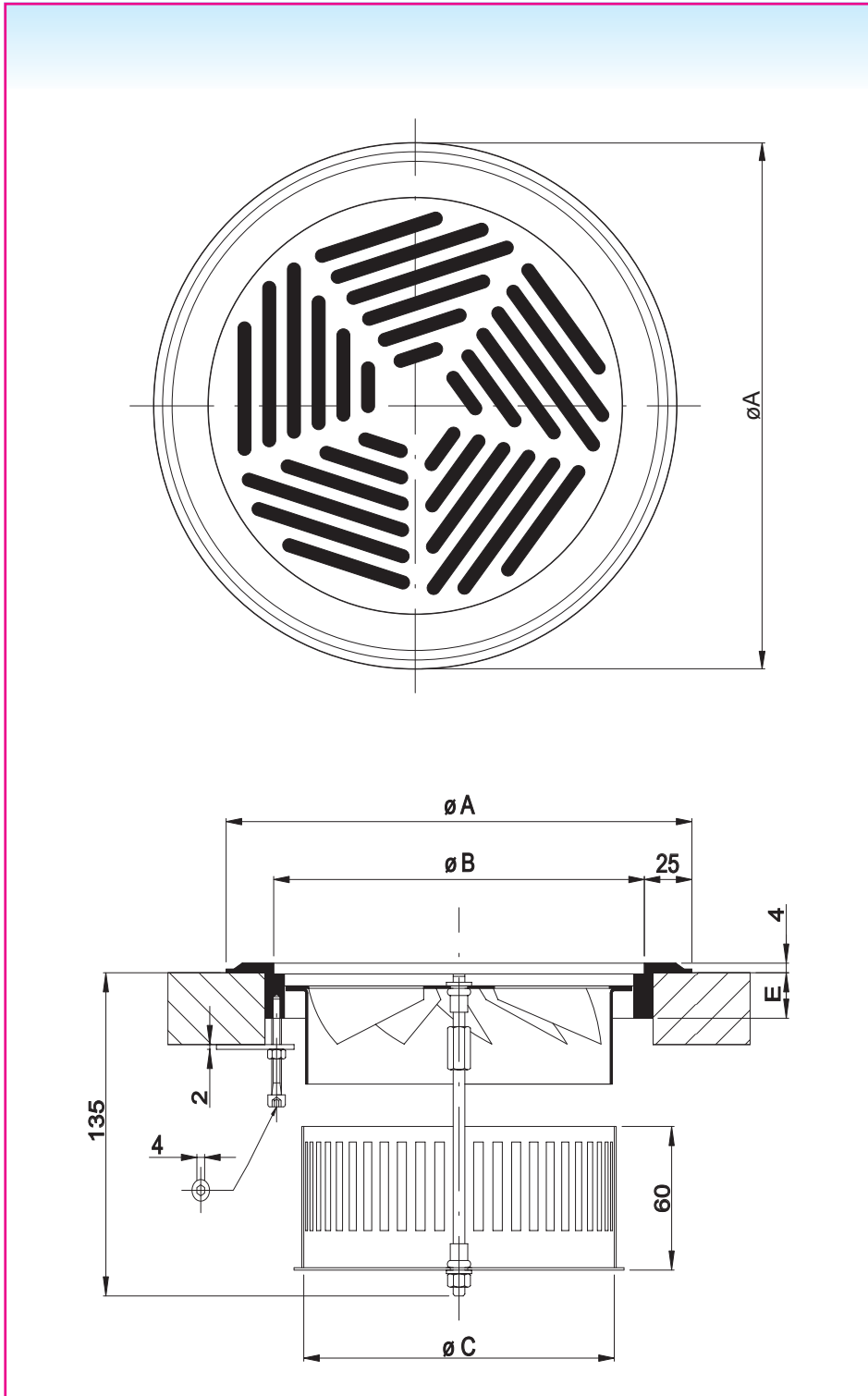


FLOOR GRILLE VM

Installation dimensions



Size	$\varnothing A$	$\varnothing B$	$\varnothing C$	E
150	190	140	124	14
200	236	190	160	19

All dimensions in mm.



Application

The grille type VM is used for supply and exhaust of cooled and heated air in facilities such as offices, meeting rooms, auditoria, concert halls,

The grille can be mounted in the floor where an austere aesthetic construction is desired.

Suitable for mounting in system floors.

Technical Information

Characteristics :

- floor grille combined with a swirl diffuser
- horizontal or vertical swirl-form air pattern
- removable grille tile
- available with dust basket that can be used as damper
- available with outer ring
- Successfully tested to comply with the specification and structural integrity requirements of European test standard EN13264 - medium structural classification (with a load of 3 kN over 25 x 25 mm² area)

Construction :

- floor grille and outer ring are made out of aluminium
- finish : aluminium glassball blasted
- on demand available painted in a RAL-colour
- swirl diffuser in galvanised steel, painted black
- dirt basket in galvanised steel

Specifications description

Example :

Floor grille with horizontal swirl air pattern, used for mounting in system floors. Floor grille and outer ring out of aluminium (glasball blasted) and with removable grille tile. Equipped with a dust basket that can be used as damper.

Type : VM011
size. ... mm

Fixing

- Outer ring is fixed with 3 mounting straps on the floor

How to order

VM011 size 200 mm.

V	M	0	1	1	-	-	0	2	0	0	0	0	0	0
---	---	---	---	---	---	---	---	---	---	---	---	---	---	---

Size

M : grille + outer ring
T : grille