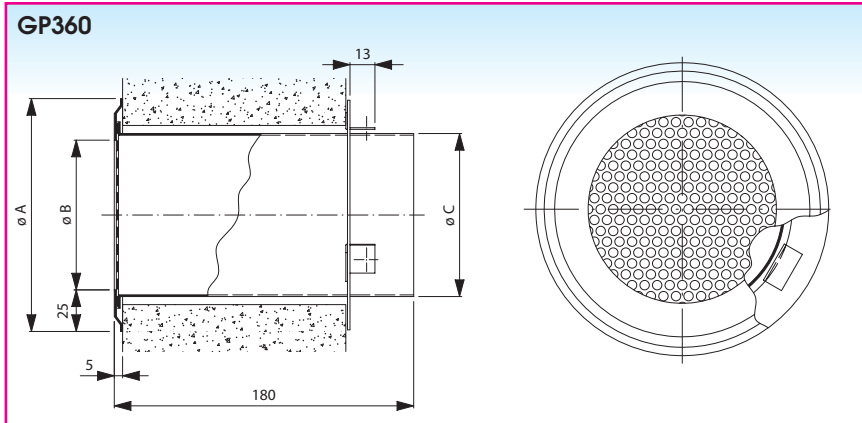


## CIRCULAR SAFETY GRILLE GP360

### Installation dimensions



Size	A	B	C
100	140	90	98
125	165	115	123
160	200	150	158
200	230	190	198



### Application

The circular grille type GP360 is used for the supply and the exhaust of air in prison cells. The fixing is especially designed to make removal from the inside of the cell impossible.

### Technical information

#### Characteristics :

- available in 4 dimensions : 100, 125, 160 and 200 mm
- impossible to remove from frontside
- connection piece welded to face
- face in perforated plate 51% passage
- for wall thickness of maximum 150 mm

#### Construction :

- steel construction
- painted in white (RAL9010)

## Specifications description

### Example :

Circular prison grille with specific fixing. It's impossible to remove the grille from inside a prison cel.

Construction of steel, painted in white (RAL9010).

### Type : GP360

size ..... mm

## Fixing

The fixing and locking is secured at the back side of the wall by means of a ring that can be fixed to the connection piece with rivets or screws.

## How to order

GP360, size 125 mm

G	P	3	6	0	-	-	0	1	2	5	0	0	0	0
---	---	---	---	---	---	---	---	---	---	---	---	---	---	---

size