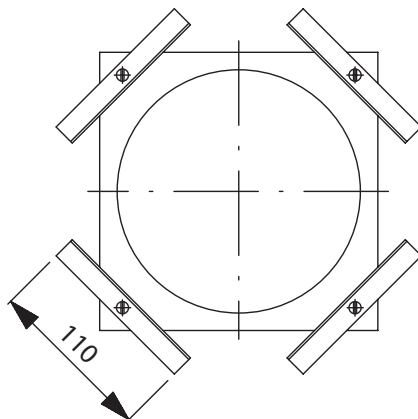
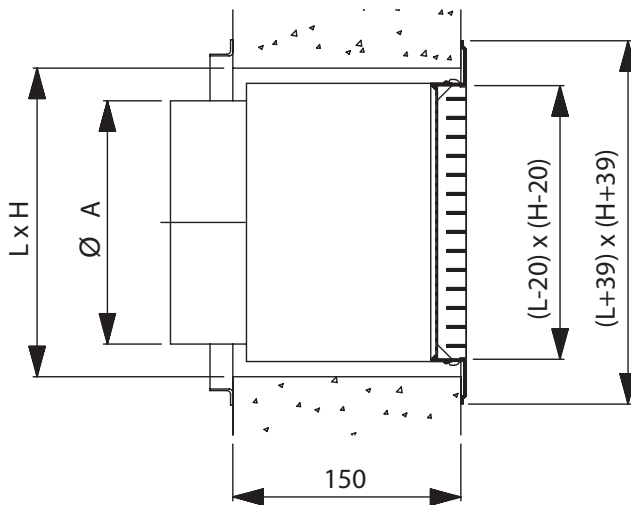
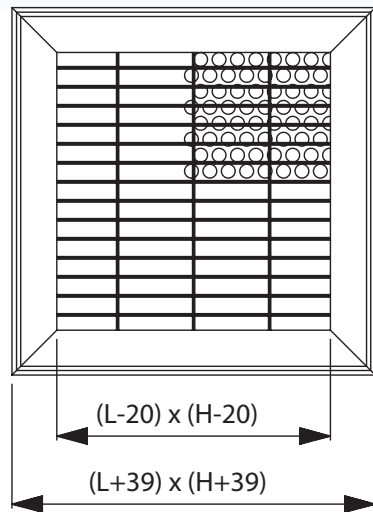


**Installation dimensions**

GD203T



**Application**

The grille type GD203T is used for the supply and exhaust of air in prison cells. The fixing is especially designed to make removal from the inside of the cell impossible.

**Technical information**

**Characteristics :**

- available in 4 nominal dimensions L x H:  
125 x 100 (dia. A = 80 mm)  
200 x 100 (dia. A = 80 mm)  
200 x 150 (dia. A = 125 mm)  
200 x 200 (dia. A = 160 mm)
- impossible to remove from frontside
- grille complete with plenum and circular spigot; depth of plenum adapted to wall thickness
- construction of heavy sheet steel and grid core (meshes 50 x 12,5 mm) mechanically assembled; equipped with perforated plate of 51% passage
- perforated plate and plenum welded to grille

**Construction :**

- steel construction, painted in white (RAL9010)

## Specifications description

### Example :

Prison grille with specific fixing. It is impossible to remove the grille from inside a prison cel. Grille with fixed core (meshes 50 x 12,5 mm) complete with perforated plate and plenum with top entry (all welded). Construction of steel, painted in white (RAL9010).

### Type : **GD203T**

nom. dim. (LxH) .... x ... mm

## Fixing

The fixing and locking is secured at the back side of the wall by means of 4 L-shaped profiles fixed to the corners of the plenum by screws.

## How to order

GD203T, dimension 200 x 100 mm.

G	D	2	0	3	T	-	0	2	0	0	0	1	0	0
							L				H			