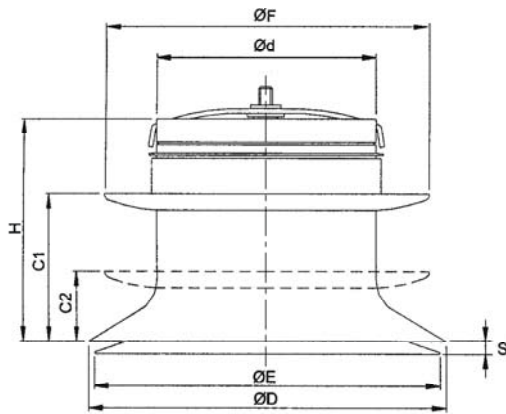


SUPPLY AIR VALVE DTI

TECHNICAL DATA

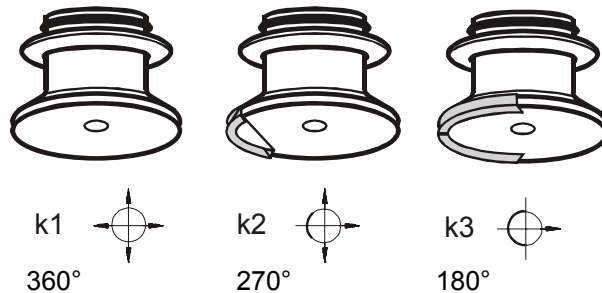
MECHANICAL PROPERTIES

- Diameters 100, 125, 160 and 200 mm.
- Manufactured from reliable and robust white steel sheet (RAL 9010).
- High valve body improving air flow/less noise.
- Can be quickly installed directly into the duct without a mounting frame.
- No leakage between valve body and connection bush.
- Variable volume flow control with locking button.
- Flow direction can be set steplessly.
- Adjustable diffusion pattern with sector plates.
- Suitable for houses, offices etc.



DIMENSIONS in mm

DTI	d	D	H	C1	C2	E	F
100	95	155	95	60	25	150	141
125	120	185	95	60	25	180	166
160	155	226	100	63	28	220	201
200	195	274	100	63	28	268	241



The information contained in this brochure was current on the publication date. The Company reserves the right to make changes in details at any time without prior notice. In order to avoid misunderstandings, any interested party is advised to contact the Company checking for any changes in materials and/or information after this brochure was published.

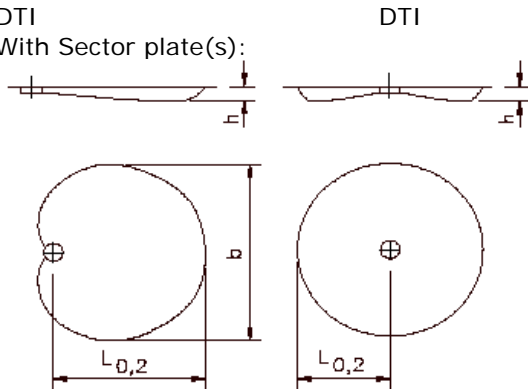
Version 2003. WWW.DECINTERNATIONAL.COM

SUPPLY AIR VALVE DTI

Diffusion Pattern:

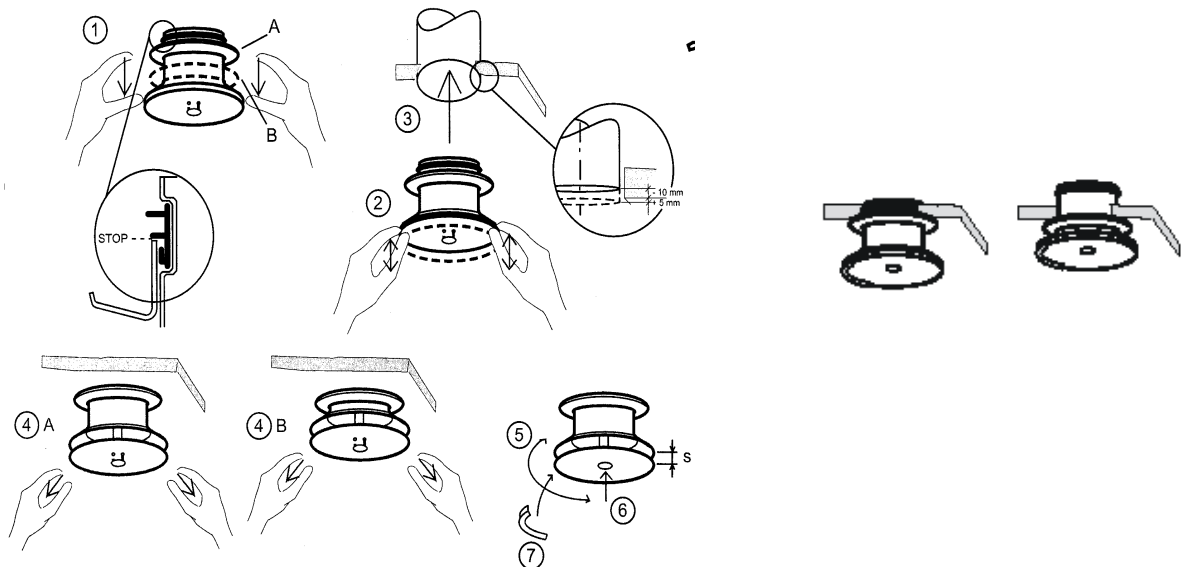
DTI

With Sector plate(s):



Adjustment	ΔT (°C)	b (m)	$L_{0,2(\Delta T)}$ (m)	h (mm)	S = adjustment position (mm)
	0	-	1	$9 \times s + 75$	
	-8	-	$0.7 \times L_{0,2}$	$11 \times s + 80$	
	0	$2 \times L_{0,2}$	1	$9 \times s + 75$	
	-8	$2 \times L_{0,2}$	$0.9 \times L_{0,2}$	$11 \times s + 80$	
	0	$0.5 \times L_{0,2}$	1	$9 \times s + 75$	
	-8	$0.5 \times L_{0,2}$	$0.9 \times L_{0,2}$	$11 \times s + 80$	

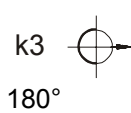
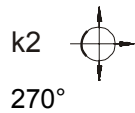
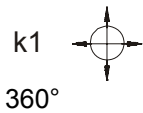
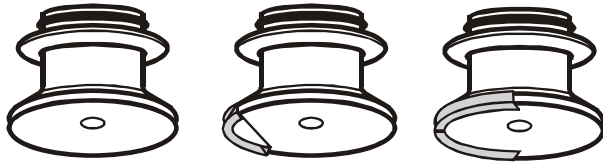
Installation:



The information contained in this brochure was current on the publication date. The Company reserves the right to make changes in details at any time without prior notice. In order to avoid misunderstandings, any interested party is advised to contact the Company checking for any changes in materials and/or information after this brochure was published.

Version 2003. WWW.DECINTERNATIONAL.COM

SUPPLY AIR VALVE DTI

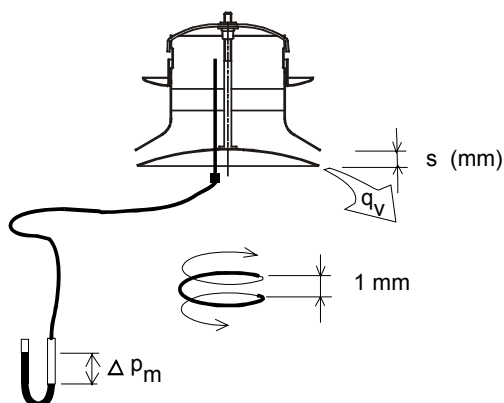


DTI - 100			
S	k1	k2	k3
2	1.0	1.1	0.8
3	1.6	1.5	1.1
4	2.0	1.8	1.4
6	3.0	2.5	1.7
8	3.8	3.2	2.2
10	4.8	3.9	2.6
12	5.6	4.2	3.0
16	-	-	3.6

DTI - 125			
S	k1	k2	k3
2	0.7	1.0	0.8
3	1.1	1.6	1.1
4	2.0	1.9	1.5
6	3.4	2.8	2.1
8	4.8	3.8	2.7
10	6.0	4.7	3.3
12	7.1	5.5	3.8
16	9.0	7.0	5.0

DTI - 160			
S	k1	k2	k3
2	1.6	-	-
3	2.4	2.3	1.6
4	3.2	2.7	2.1
6	4.7	3.8	2.9
8	6.3	5.0	3.6
10	7.7	6.1	4.4
12	9.1	7.1	4.9
16	11.8	9.2	6.5
20	14.3	11.2	7.8

DTI - 200			
S	k1	k2	k3
2	2.9	2.5	1.8
3	3.8	3.0	2.7
4	5.7	4.4	3.6
6	7.4	5.7	4.5
8	9.3	7.1	5.4
10	11.0	8.3	6.4
12	14.6	11.0	8.0
16	17.9	13.5	9.8
20	21.9	16.2	11.7



$$q_v = k \sqrt{\Delta p_m}$$

(l/s) (Pa)

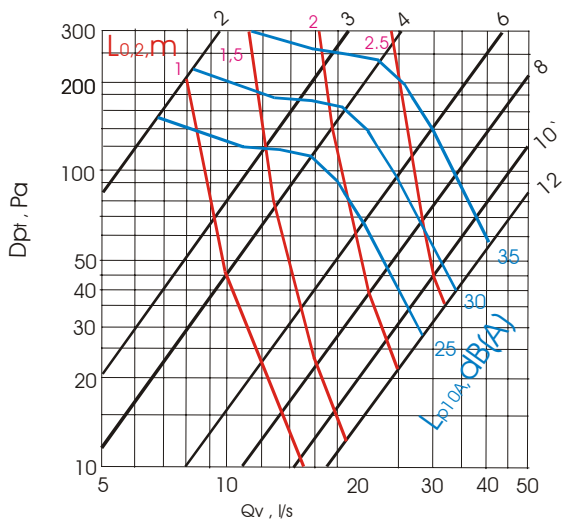
The information contained in this brochure was current on the publication date. The Company reserves the right to make changes in details at any time without prior notice. In order to avoid misunderstandings, any interested party is advised to contact the Company checking for any changes in materials and/or information after this brochure was published.

Version 2003. WWW.DECINTERNATIONAL.COM

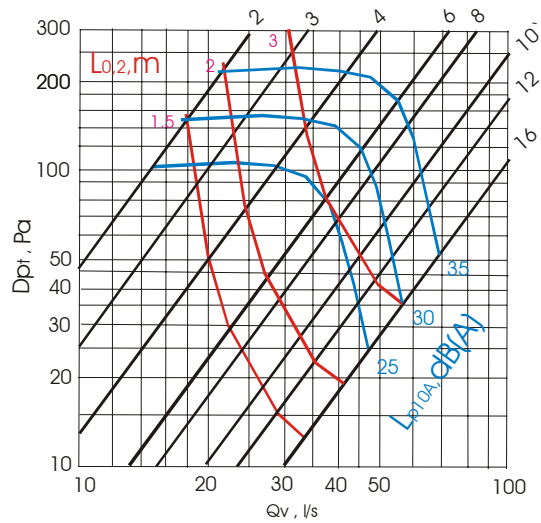
SUPPLY AIR VALVE DTI 360°



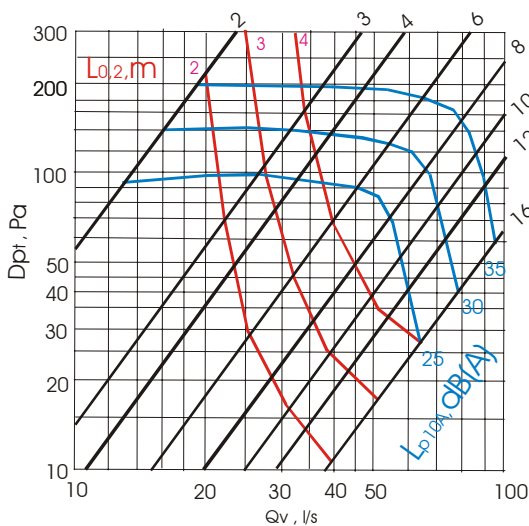
DTI-100 360°



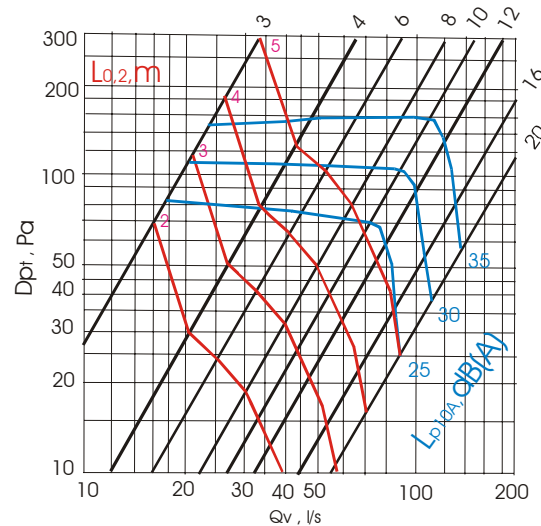
DTI-125 360°



DTI-160 360°



DTI-200 360°

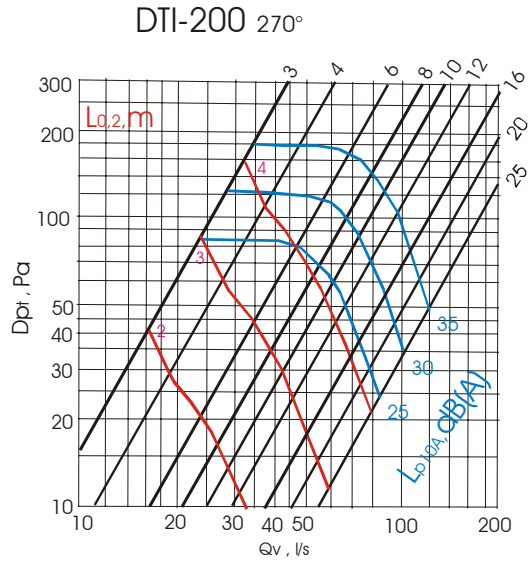
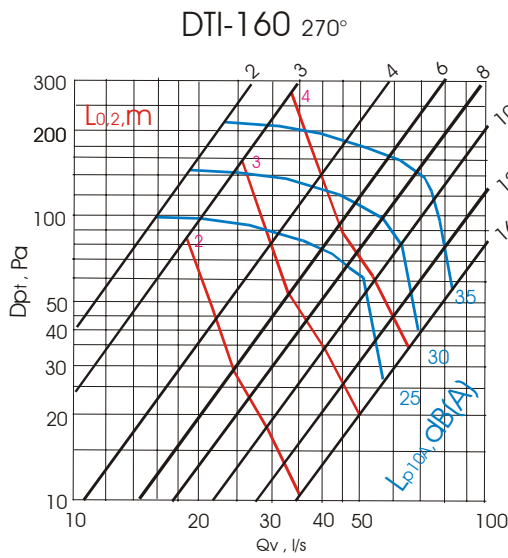
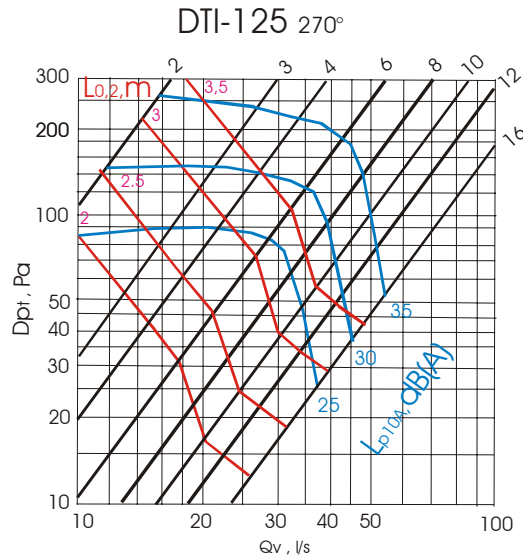
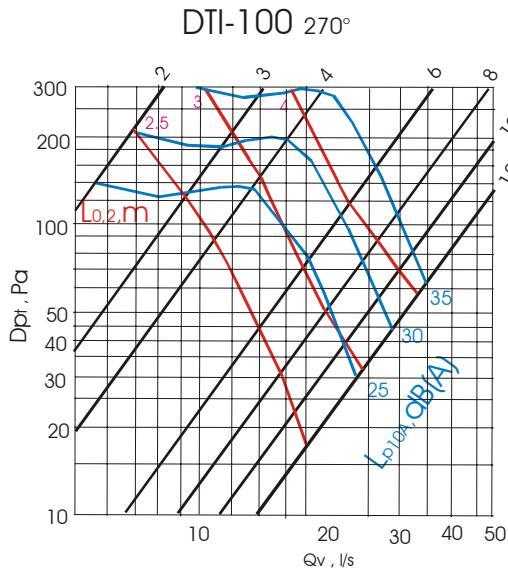
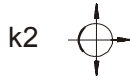


DTI 360° 3.19

The information contained in this brochure was current on the publication date. The Company reserves the right to make changes in details at any time without prior notice. In order to avoid misunderstandings, any interested party is advised to contact the Company checking for any changes in materials and/or information after this brochure was published.

Version 2003. WWW.DECINTERNATIONAL.COM

SUPPLY AIR VALVE DTI 270°

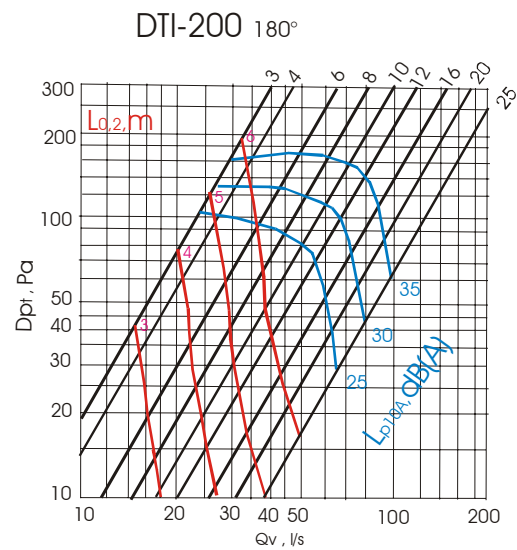
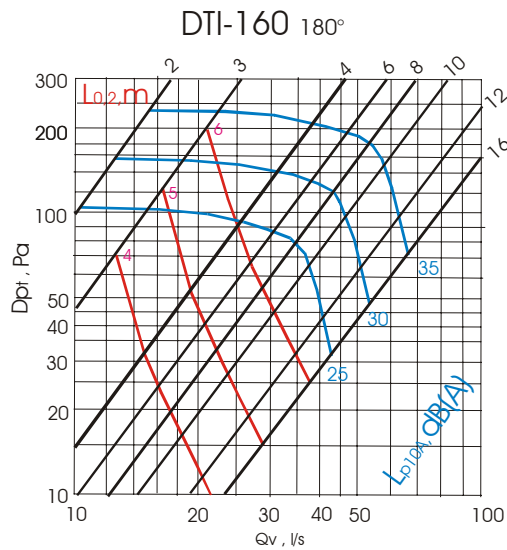
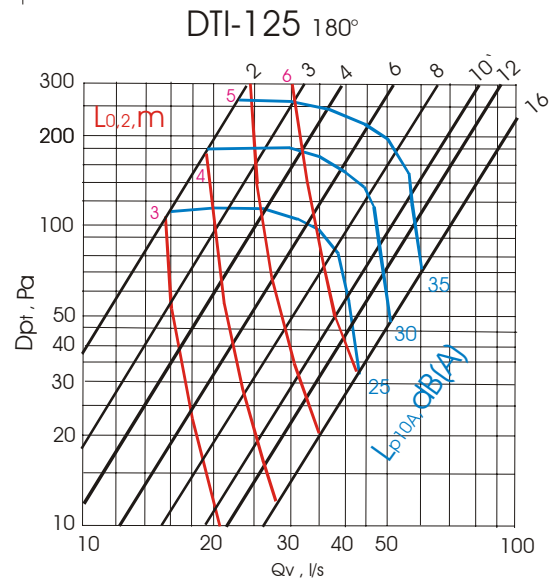
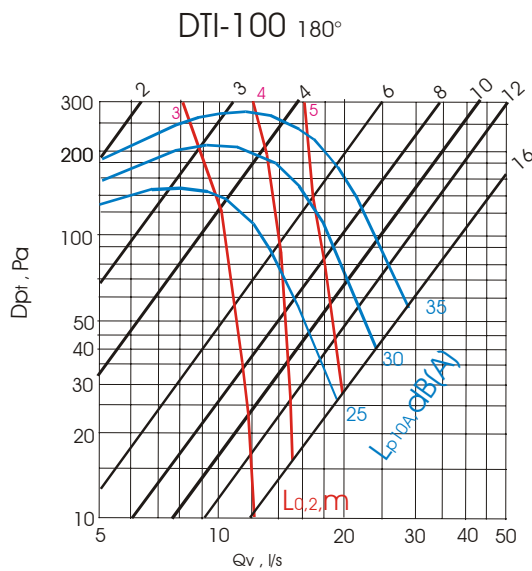


DTI 270° 3.19

The information contained in this brochure was current on the publication date. The Company reserves the right to make changes in details at any time without prior notice. In order to avoid misunderstandings, any interested party is advised to contact the Company checking for any changes in materials and/or information after this brochure was published.

Version 2003. WWW.DECINTERNATIONAL.COM

SUPPLY AIR VALVE DTI 180°



3.19

DTI 180°

The information contained in this brochure was current on the publication date. The Company reserves the right to make changes in details at any time without prior notice. In order to avoid misunderstandings, any interested party is advised to contact the Company checking for any changes in materials and/or information after this brochure was published.

Version 2003. WWW.DECINTERNATIONAL.COM