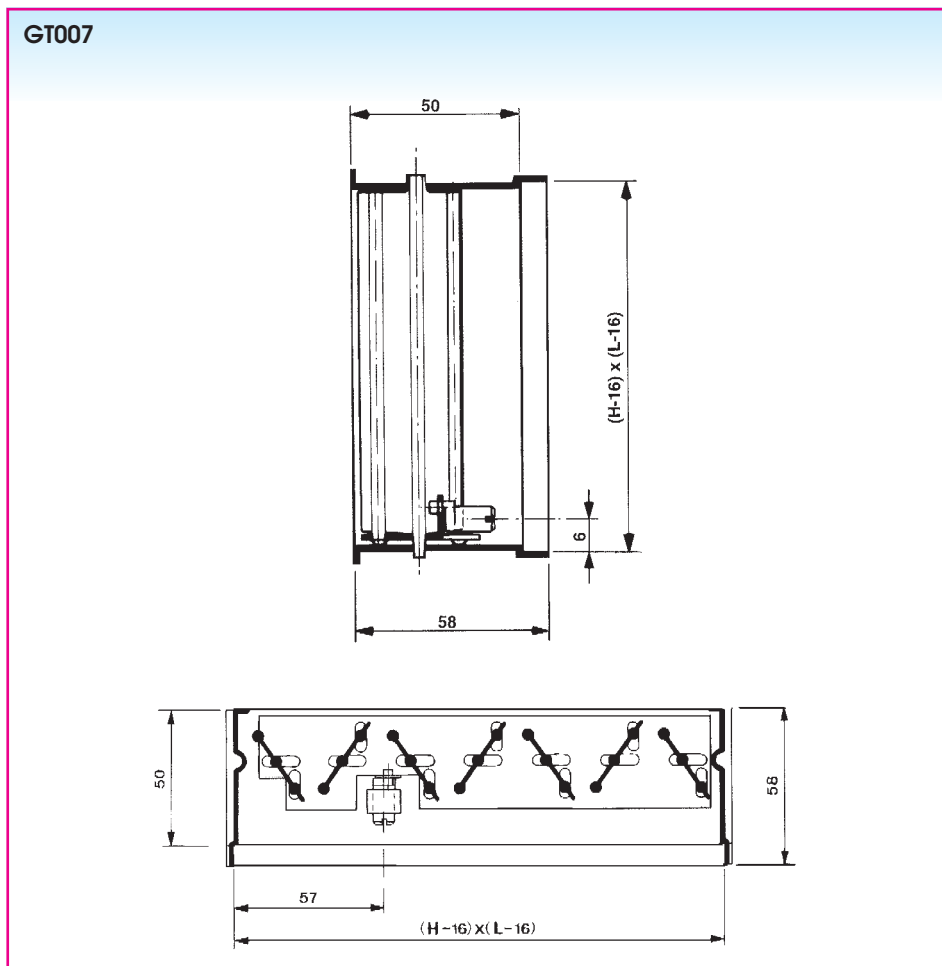
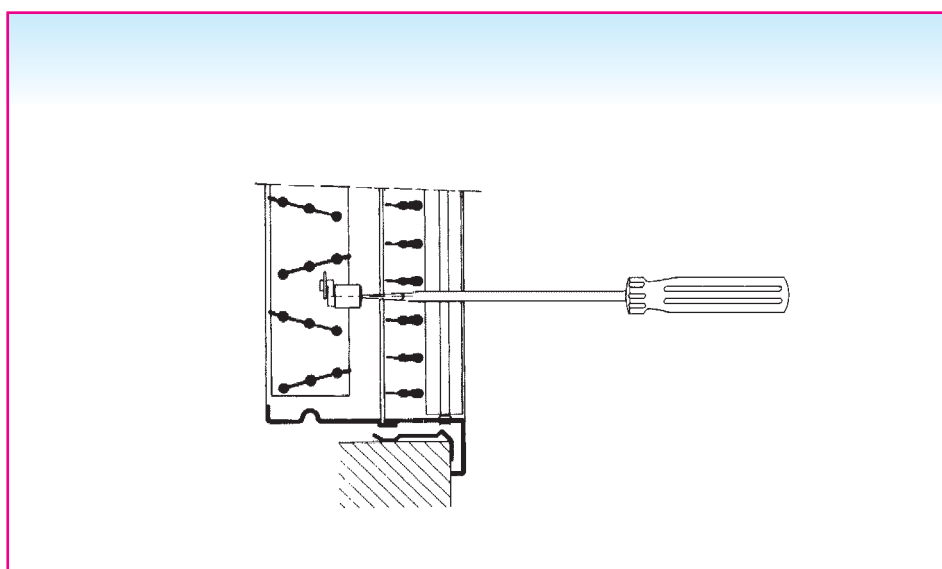


**DAMPER  
GT007**

**Installation dimensions**



**Operating instruction damper**



**Application**

The GT007 is a damper that can be mounted on most of A- and G-grilles. This damper allows an adjustment of the air flow rate.

**Technical information**

**Characteristics :**

- vertical, opposed blade damper
- operated by means of a screw driver
- grille mounting by means of "S" clips (supplied with each damper)
- available in multiples of 25 mm in height as well as in length  
min L = 100 mm, max L = 625 mm  
min H = 75 mm, max H = 600 mm

**Construction :**

- Out of galvanised sheet steel, painted black (RAL 9005)

## Specifications description

### Example:

Opposed blade damper operated by means of a screw driver.  
Construction out of galvanised sheet steel, painted black.

**Type:** **GT007**  
nom. dim. (LxH) ... x ... mm

## How to order

GT007, dimension 500x200 mm

G	T	0	0	7	-	-	0	5	0	0	0	2	0	0
---	---	---	---	---	---	---	---	---	---	---	---	---	---	---

Nom. size of the grille (LxH)