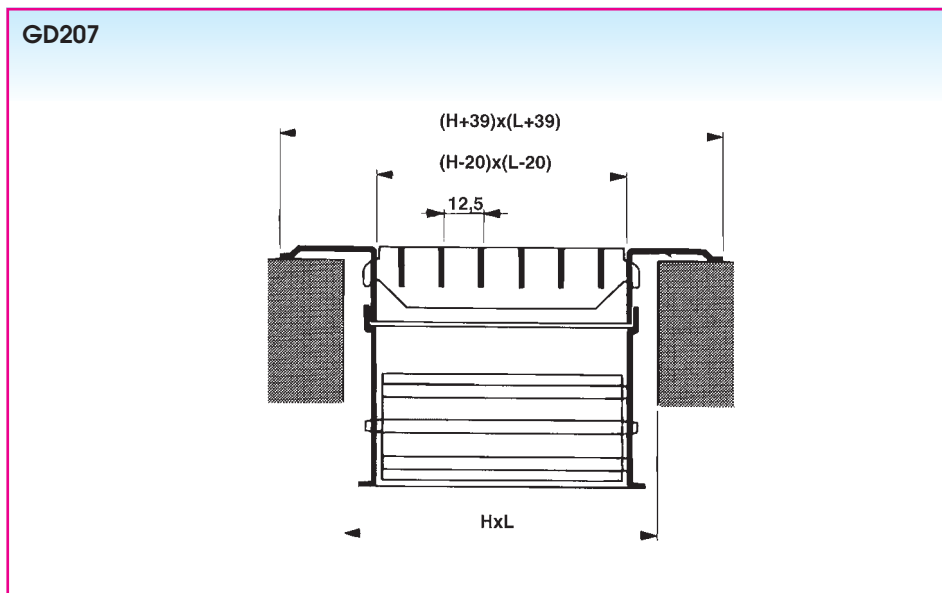
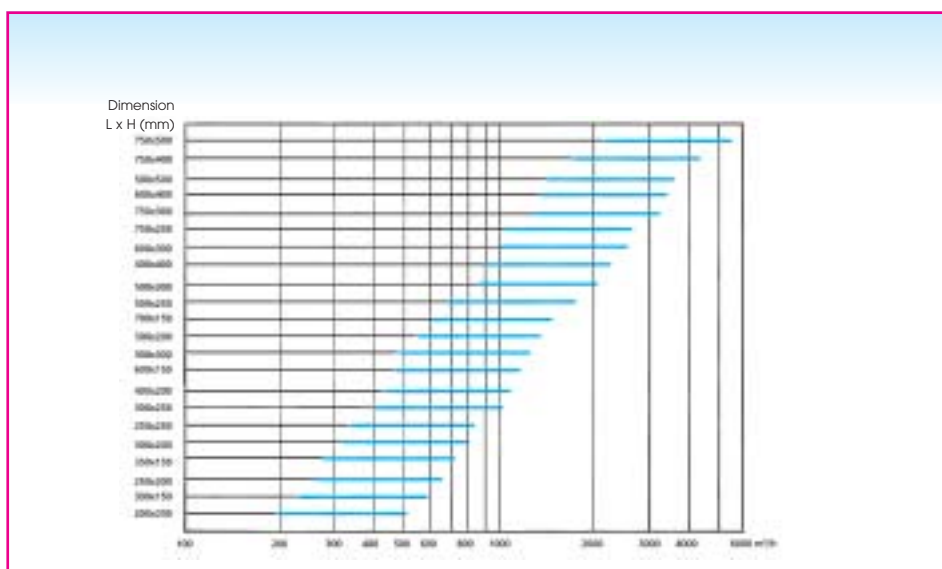


# FLOORGRILLE GD200

### Installation dimensions



### Fast selection diagram



The selection area is based on a  $v_f$  between 2 and 5m/s.



### Application

The grille type GD200 is used for the supply and exhaust of air in facilities such as workshops, sports halls, shopping centres, ...  
The grille can be used for floor mounting.

### Technical information

#### Characteristics :

- construction of heavy sheet steel and grid core mechanically assembled
- meshes of grid core 50 x 12,5 mm
- free passage ca. 75%
- available in multiples of 25 mm in height as well as in length  
min L = 100 mm, max L = 800 mm  
min H = 100 mm, max H = 800 mm

#### Construction :

- steel, painted white (RAL 9010)

### Specifications description

#### Example:

Steel floor grille with fixed core (links of 50 x 12,5 mm) for floor mounting. The grille is painted in white (RAL 9010)

**Type:** **GD200**  
nom. dim. (LxH) ... x ...

### Accessories

- **GT007** : opposed blade damper. Construction out of galvanised sheet steel, painted black. (For details, see p. 1 290)

### Fixing

- loose floor mounting

## Selection table

L x H (mm)	A <sub>f</sub> (m <sup>2</sup> )	v <sub>f</sub> (m/s) = 2	2,5	3	4	5
		Δp <sub>f</sub> (Pa) = 2	4	5	10	15
		q <sub>v</sub> (m <sup>3</sup> /s)	q <sub>v</sub>	q <sub>v</sub>	q <sub>v</sub>	q <sub>v</sub>
200 x 200	0,028	0,056	0,070	0,084	0,112	0,140
300 x 150	0,032	0,064	0,080	0,096	0,128	0,160
250 x 200	0,036	0,072	0,090	0,108	0,144	0,180
350 x 150	0,039	0,078	0,098	0,117	0,156	0,195
300 x 200	0,044	0,088	0,110	0,132	0,176	0,220
400 x 150 250 x 250	0,046	0,092	0,115	0,138	0,184	0,230
300 x 250	0,056	0,112	0,140	0,168	0,224	0,280
400 x 200	0,060	0,120	0,150	0,180	0,240	0,300
600 x 150	0,066	0,132	0,165	0,198	0,264	0,330
300 x 300	0,068	0,136	0,170	0,204	0,272	0,340
500 x 200 400 x 250	0,076	0,152	0,190	0,228	0,304	0,380

L x H (mm)	A <sub>f</sub> (m <sup>2</sup> )	v <sub>f</sub> (m/s) = 2	2,5	3	4	5
		Δp <sub>f</sub> (Pa) = 2	4	5	10	15
		q <sub>v</sub> (m <sup>3</sup> /s)	q <sub>v</sub>	q <sub>v</sub>	q <sub>v</sub>	q <sub>v</sub>
750 x 150	0,084	0,168	0,210	0,252	0,336	0,420
500 x 250	0,096	0,192	0,240	0,288	0,384	0,480
750 x 200 600 x 250 500 x 300	0,116	0,232	0,290	0,348	0,464	0,580
400 x 400	0,125	0,250	0,313	0,375	0,500	0,625
600 x 300	0,141	0,282	0,353	0,423	0,564	0,705
750 x 250	0,146	0,292	0,365	0,438	0,584	0,730
750 x 300	0,177	0,354	0,443	0,531	0,708	0,885
600 x 400	0,190	0,380	0,475	0,570	0,760	0,950
500 x 500	0,199	0,398	0,498	0,597	0,796	0,995
750 x 400	0,240	0,480	0,600	0,720	0,960	1,200
750 x 500	0,302	0,604	0,755	0,906	1,208	1,510

L: nominal length (mm)  
H: nominal height (mm)

## How to order

GD200 dimension 300 x 300 mm with damper GT007

G	D	2	0	7	-	-	0	3	0	0	0	3	0	0
---	---	---	---	---	---	---	---	---	---	---	---	---	---	---

L H

0: without damper  
7: with damper

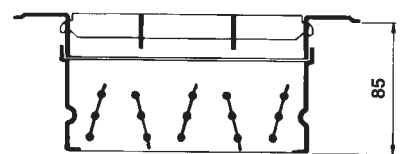
## Possible deliveries

### GD200



Grille with fixed core.  
H ≤ 400 mm : h=20 mm  
H > 400 mm : h=35 mm

### GD207



Grille with fixed core and opposed blade damper.