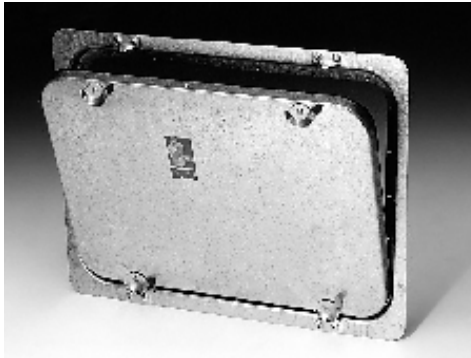


ACCESS DOORS

ACCESS DOORS are used in air duct systems for controlling fire dampers, control and shut off dampers, batteries and other parts of a duct system.



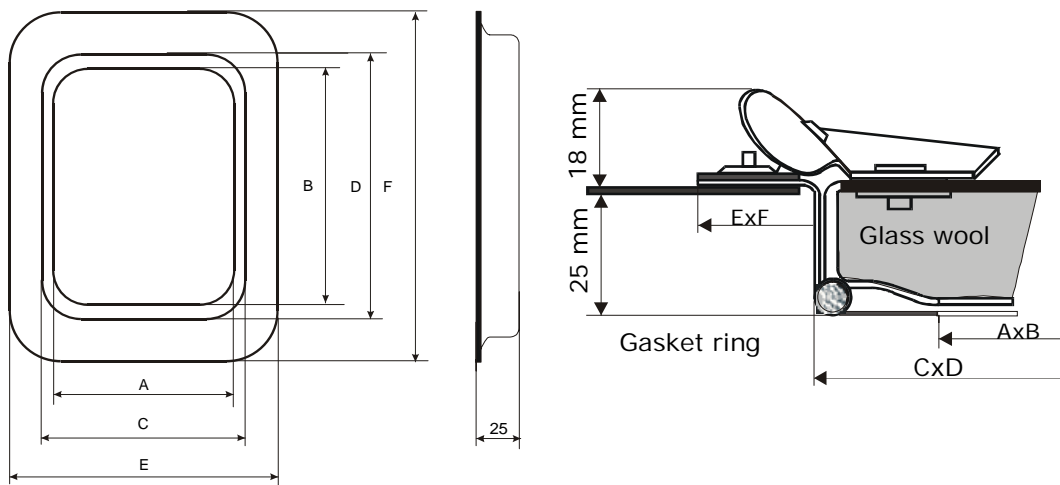
CONSTRUCTION

ACCESS DOORS have been constructed from a galvanized frame with a double-walled panel, which has been fastened into the frame airtight. The frame will be fixed into the duct. The panel has been performed double-walled. In order to get a good thermic insulation a filling of a 25 mm glasswool has been added. A sealing ring, fixed to the panel provides an air tight sealing until 2000 Pa. Quick-acting closures see to that taking off and putting back the panel will take no more than a second.

DELIVERYPROGRAM

ACCESS DOORS are deliverable in four different sizes. The sizes which are in great demand, the **IPD1**, the **IPD2** and the **IPD3** are deliverable from stock.

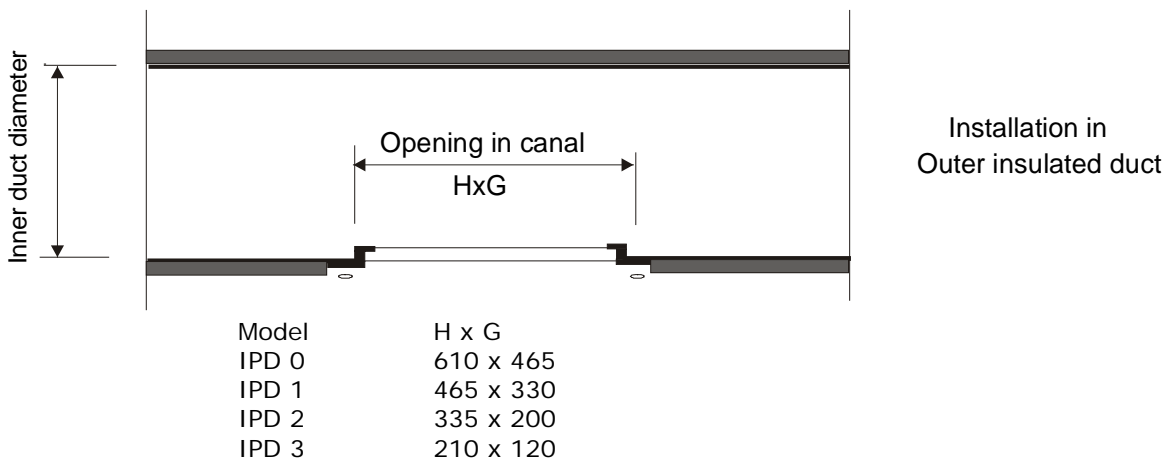
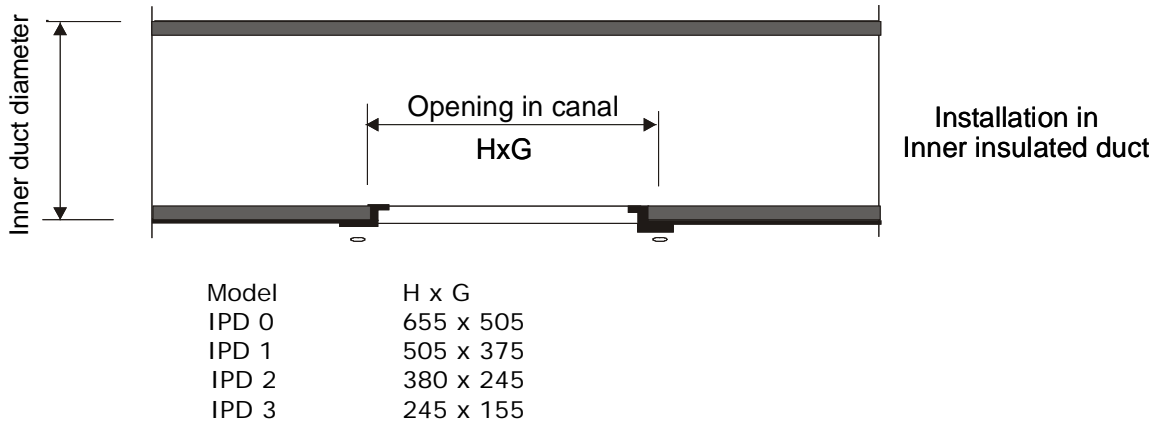
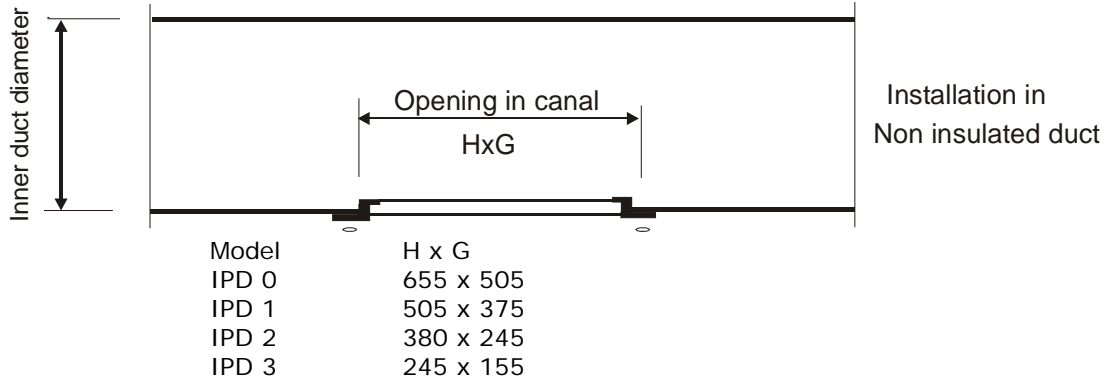
Model	A x B	C x D	E x F
IPD0	463 x 608	500 x 649	548 x 699
IPD1	327 x 463	368 x 500	418 x 548
IPD2	198 x 332	240 x 375	286 x 422
IPD3	116 x 206	150 x 240	195 x 288



The information contained in this brochure was current on the publication date. The Company reserves the right to make changes in details at any time without prior notice. In order to avoid misunderstandings, any interested party is advised to contact the Company checking for any changes in materials and/or information after this brochure was published.

Version 2003 WWW.DECINTERNATIONAL.COM

ACCESS DOORS



The information contained in this brochure was current on the publication date. The Company reserves the right to make changes in details at any time without prior notice. In order to avoid misunderstandings, any interested party is advised to contact the Company checking for any changes in materials and/or information after this brochure was published.

Version 2003 WWW.DECINTERNATIONAL.COM