

EXHAUST AIR VALVE DAV-M

TECHNICAL DATA

PRODUCT PROPERTIES

- Available in diameter 100, 125, 150/160 and 200 mm.
- Manufactured from white polypropylene (Ral 9010).
- The valve is difficult to ignite (Will not burn with open flame).
- The valve material has a melting point between 150-180 °C.
- The valve resist temperatures up to 110 °C without deformation.
- High valve body improving air flow/less noise with spring fastening.
- Closed disc.
- No leakage between valve body and connection bush.
- Connection bush also adapted for false ceiling panels.
- Variable volume flow control.
- Unique locking system between connection bush and valve body.
- Suitable for rooms with a high air humidity (e.g. kitchen, bathroom).
- Simple removal for cleaning
- With 24V Electromotor which can be connected to a transformer. (Not included)

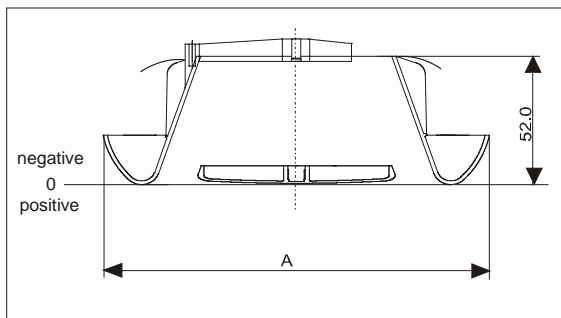
This device, which is intended for bathrooms and shower rooms in systems with central exhaust air fan, is equipped with a 24VAC electric motor connected via a transformer(not included in the supply). Switching to a forced flow is by means of a switch, for example a light-activated switch. Resetting to the basic flow is normally automatic when the power supply is interrupted. The basic flow is easily set by screwing the valve cone in or out to the position corresponding to the desired pressure drop and air flow.

Motor: Impedence limited, designed to withstand continuous energizing, CSA approved.

Voltage: 24VAC, class 2 circuit, 50/60Hz.

Power: 4 Watts, operating and holding.

Leads: Two 7" leads, 22GA stranded insulated, TEW 105°C FT-1.



DIMENSIONS in mm

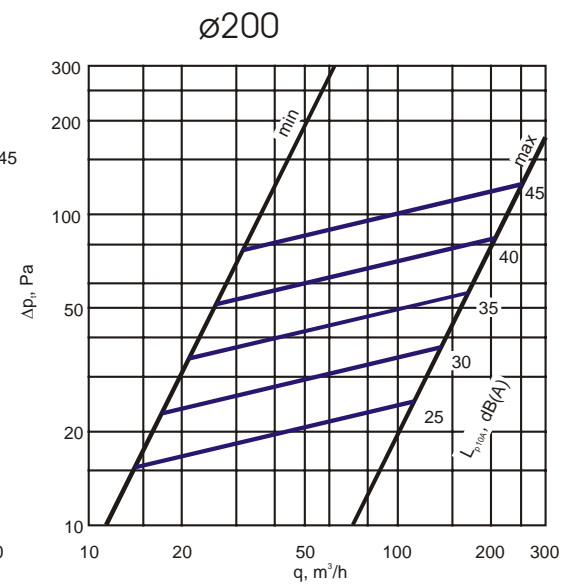
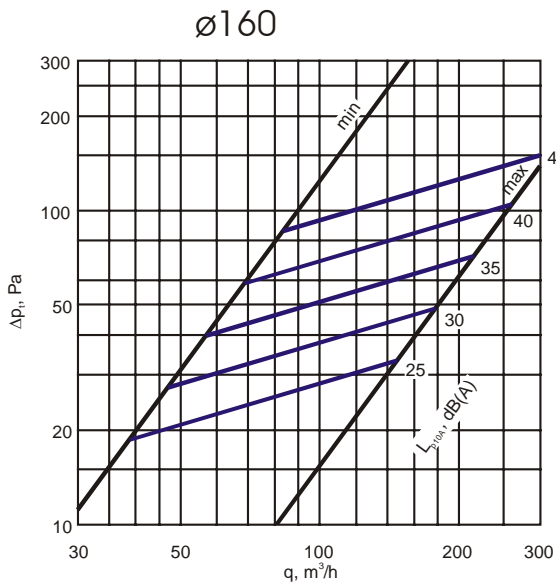
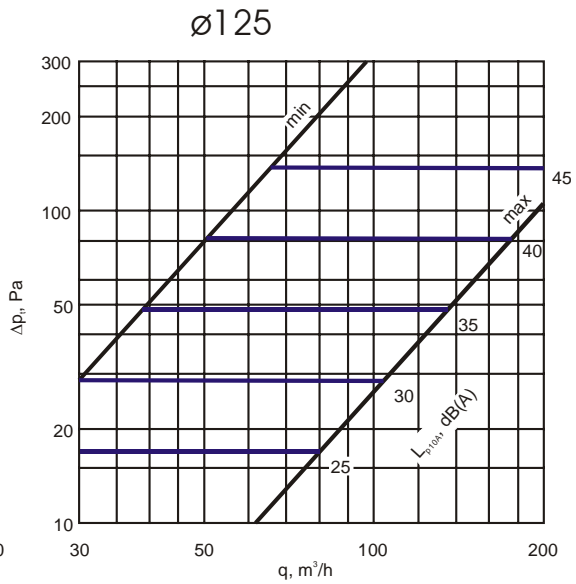
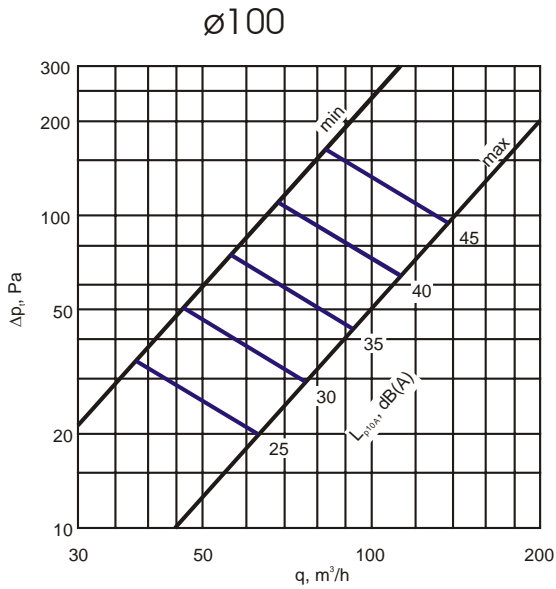
DAV	A Ø
100	141
125	167
150	202
160	202
200	240.3



The information contained in this brochure was current on the publication date. The Company reserves the right to make changes in details at any time without prior notice. In order to avoid misunderstandings, any interested party is advised to contact the Company checking for any changes in materials and/or information after this brochure was published.

Version 2004 WWW.DECINTERNATIONAL.COM

EXHAUST AIR VALVE DAV-M-100



3.2d

DAV-M-100

The information contained in this brochure was current on the publication date. The Company reserves the right to make changes in details at any time without prior notice. In order to avoid misunderstandings, any interested party is advised to contact the Company checking for any changes in materials and/or information after this brochure was published.

Version 2004 WWW.DECINTERNATIONAL.COM