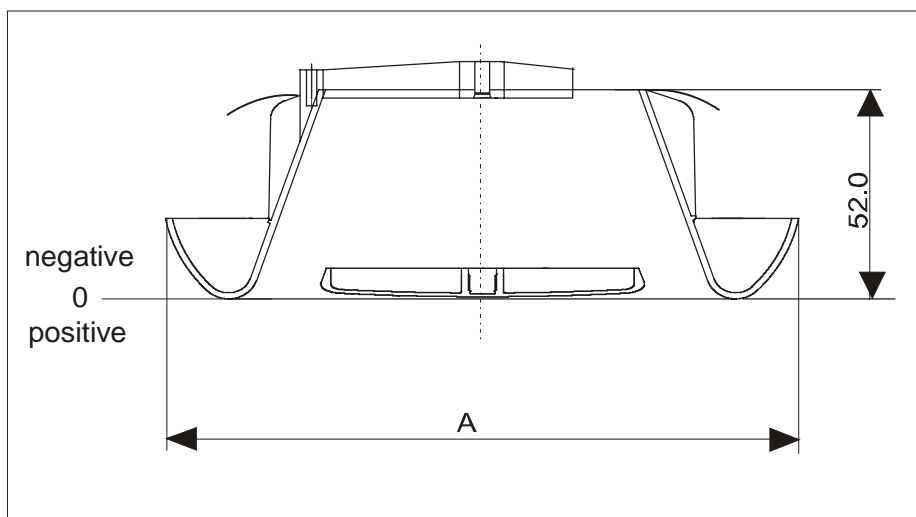


SUPPLY AIR VALVE DAV

TECHNICAL DATA

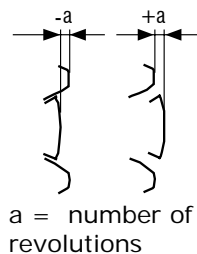
PRODUCT PROPERTIES

- Available in diameter 100, 125, 150/160 and 200 mm.
- Manufactured from white polypropylene (Ral 9010).
- The valve is difficult to ignite (Will not burn with open flame).
- The valve material has a melting point between 150-180 °C.
- The valve resist temperatures up to 110 °C without deformation.
- High valve body improving air flow/less noise with spring fastening.
- Closed disc.
- No leakage between valve body and connection bush.
- Connection bush also adapted for false ceiling panels.
- Variable volume flow control.
- Unique locking system between connection bush and valve body.
- Suitable for rooms with a high air humidity (e.g. kitchen, bathroom).
- Simple removal for cleaning



DIMENSIONS in mm

DAV	A Ø
100	141
125	167
150	202
160	202
200	240.3



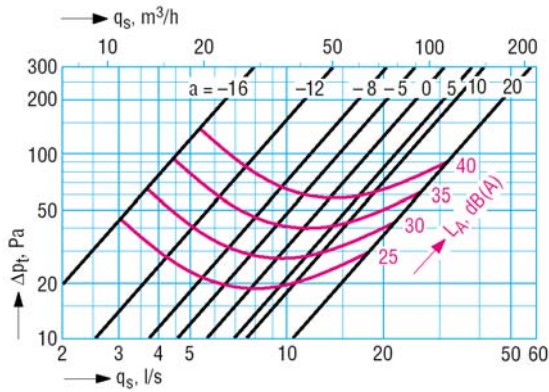
The information contained in this brochure was current on the publication date. The Company reserves the right to make changes in details at any time without prior notice. In order to avoid misunderstandings, any interested party is advised to contact the Company checking for any changes in materials and/or information after this brochure was published.

Version 2004 www.decinternational.com

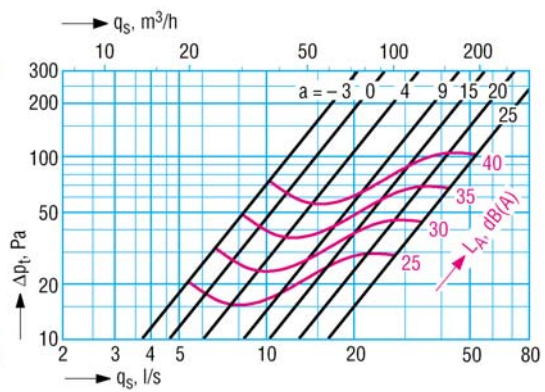
SUPPLY AIR VALVE DAV

Pressure loss diagrams

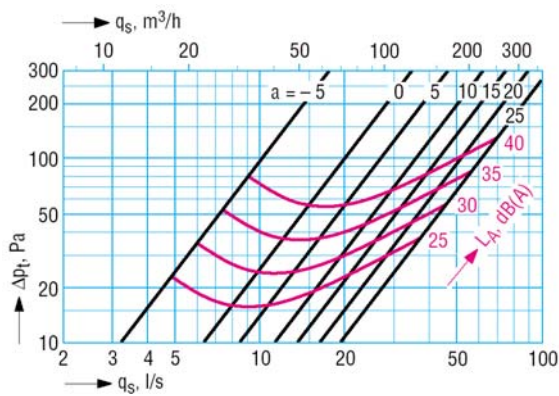
DAV100



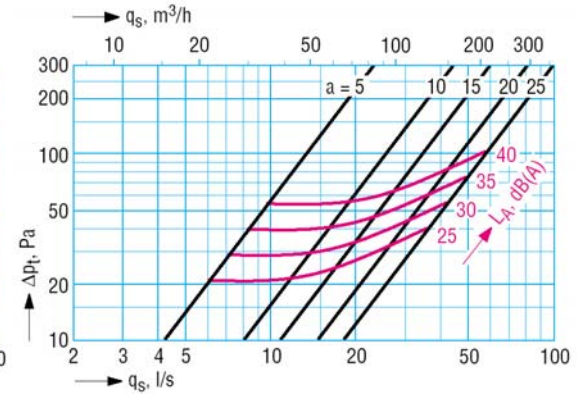
DAV125



DAV150/160



DAV200



3.2b

DAV

The information contained in this brochure was current on the publication date. The Company reserves the right to make changes in details at any time without prior notice. In order to avoid misunderstandings, any interested party is advised to contact the Company checking for any changes in materials and/or information after this brochure was published.

Version 2004 www.decinternational.com