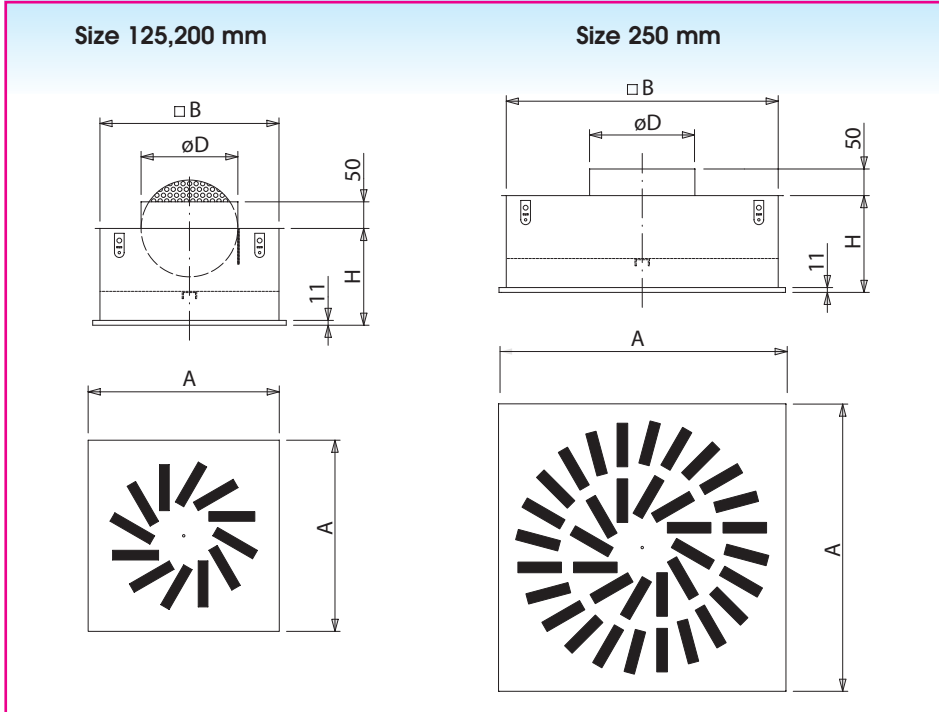


SWIRL DIFFUSER WITH ADJUSTABLE PATTERN WT100T

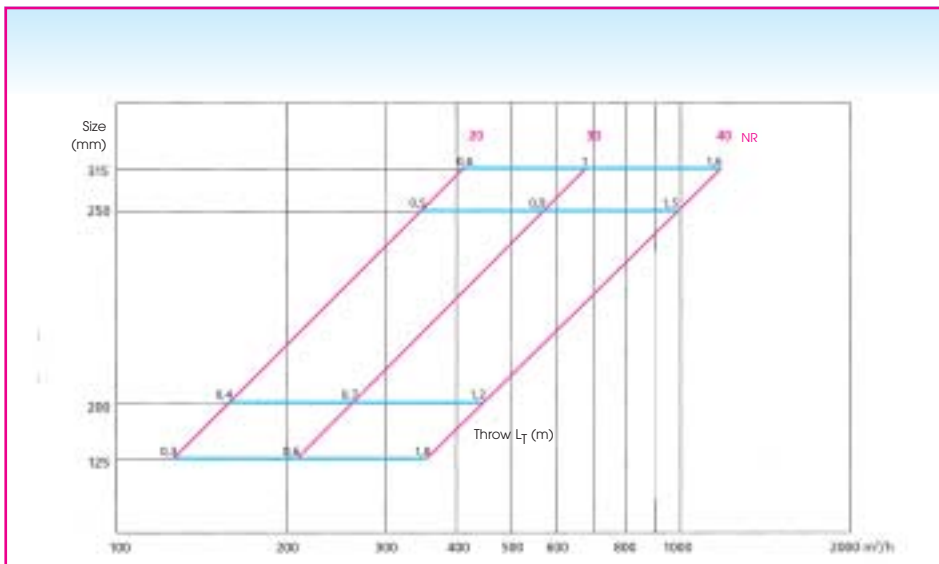
Installation dimensions



Size	ØN	A	B	H	ØD
125	125	294	290	155	123
200	200	394	375	205	198
200	200	494	375	205	198
250	250	594	575	205	248
250	250	619	575	205	248
315	315	819	800	255	313

All dimensions in mm.

Fast selection diagram



Throw factor is based on a v_R of 0,17 m/s in the occupied zone.

See p. 3 030 for a detailed selection.



Application

The diffuser type WT100T is used for the supply of cooled or heated air in facilities such as offices, shopping centres, schools, ...

Diffusers for ceiling or exposed duct mounting.

The diffuser is equipped with adjustable deflectors creating the possibility to obtain an external or internal swirl.

A high induction is obtained by the exceptional swirl discharge, which makes them extremely suitable for VAV terminal boxes.

Technical information

Characteristics :

- adjustable horizontal and vertical air pattern
- 2,5 < mounting height < 4 m
- **size 125, 200 mm:**
Single row of deflectors
- **size 250 mm:**
Through the unique position of the 2 rows of outlet deflectors, an unlimited number of arrangements can be obtained. For example a vertical air discharge through the inner deflectors in combination with an external swirl through the outer deflectors.
- **size 315 mm:**
An adjustable deflector plate is mounted in the central part allowing you to handle 25% more air volume compared to size 250 mm, without any increase in noise.

