

LOCAL EXTRACTOR

MiniTEX 1000, 1400

**Flexible, telescopic local extractor
with very low pressure drop.**

The FUMEX local extractor MiniTex with lengths of 1.0 and 1.4 m is a telescopic local extractor for e.g. laboratories that require a compact extractor with very low pressure drop.

The MiniTex is a flexible local extractor that stays in position when adjusted, thanks to the self-adjustable telescopic function, movable angle joint and 360 rotation.

FUMEX always designs its local extractors with supporting arms on the outside, which ensures a natural and undisturbed air flow. In addition, the pressure drop will be low and there is hardly any risk of ducts being blocked. The special telescopic function of the MiniTex provides a much lower pressure drop than with conventional extractor arms, which is why it is so much more efficient when pressure in the fan system is low. The MiniTex may also be equipped with three different types of hoods for increased extraction efficiency.

Adjustment of joints can easily be taken care of from the outside. The smooth inside of the suction duct makes cleaning very easy. If necessary, the whole extractor can easily be dismantled.

The FUMEX MiniTex is available for ceiling or wall mounting.



**Wall mounting with
flat screen hood**



**Dome hood and
manual damper**



Ceiling mounting

Fumex also offers a range of fans, accessories and automatic control devices for our local extractors.

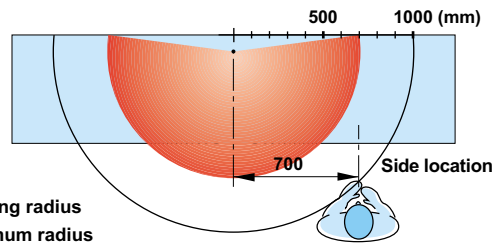
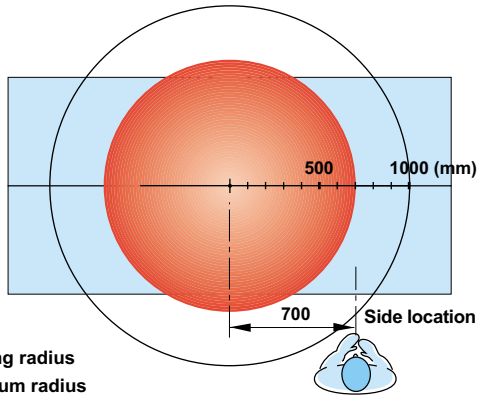
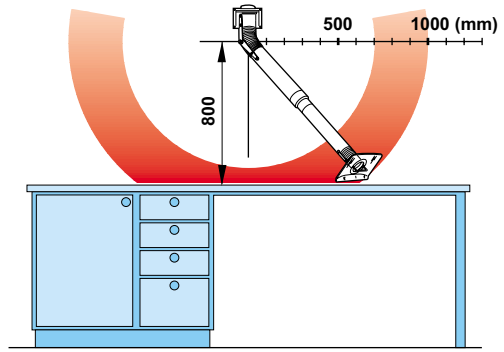
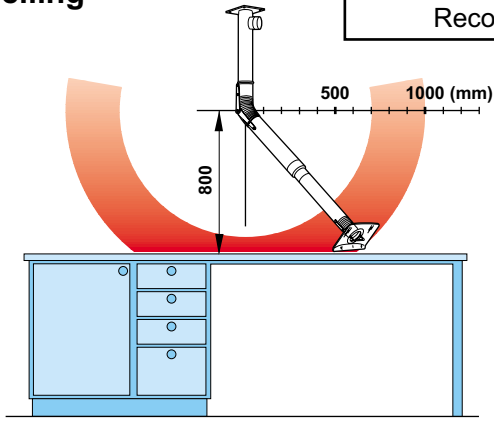
FUMEX[®]
LOCAL EXTRACTOR

Pure advantage

For ceiling

MiniTEX 1000 Recommended mounting

For wall



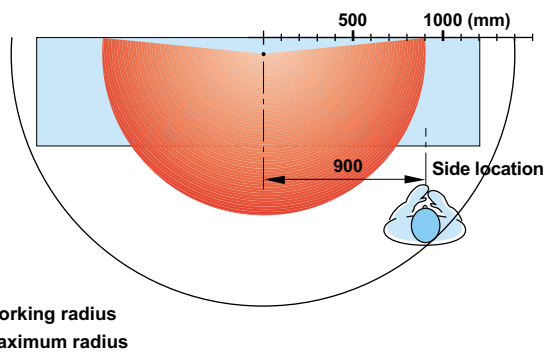
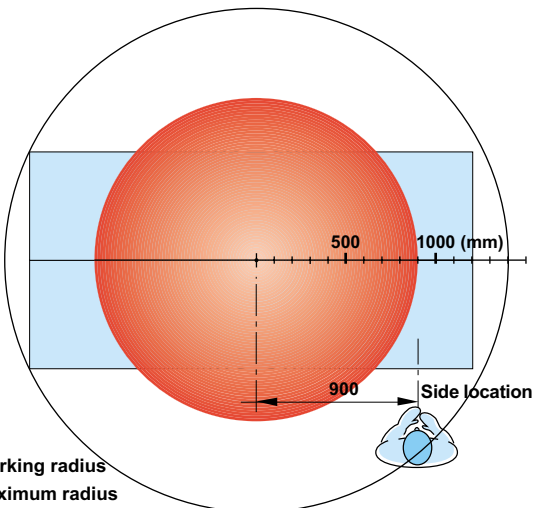
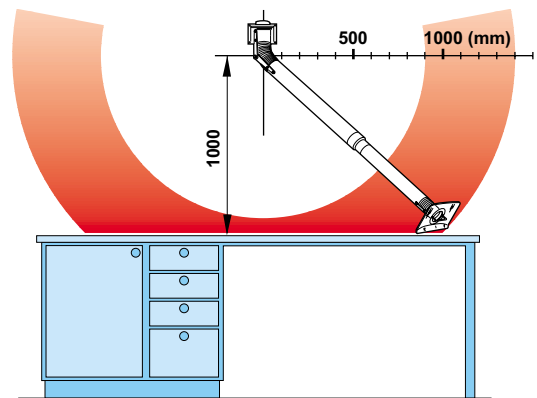
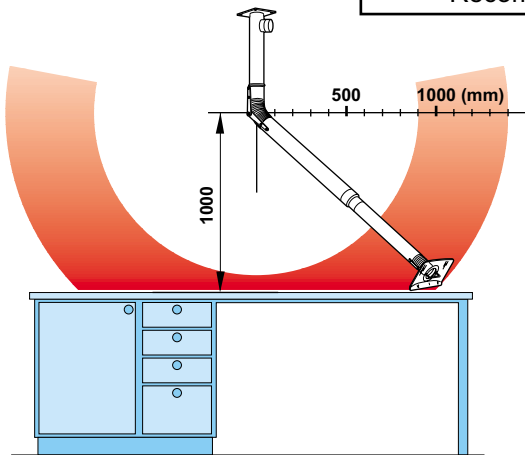
■ Working radius
□ Maximum radius

■ Working radius
□ Maximum radius

For ceiling

MiniTEX 1400 Recommended mounting

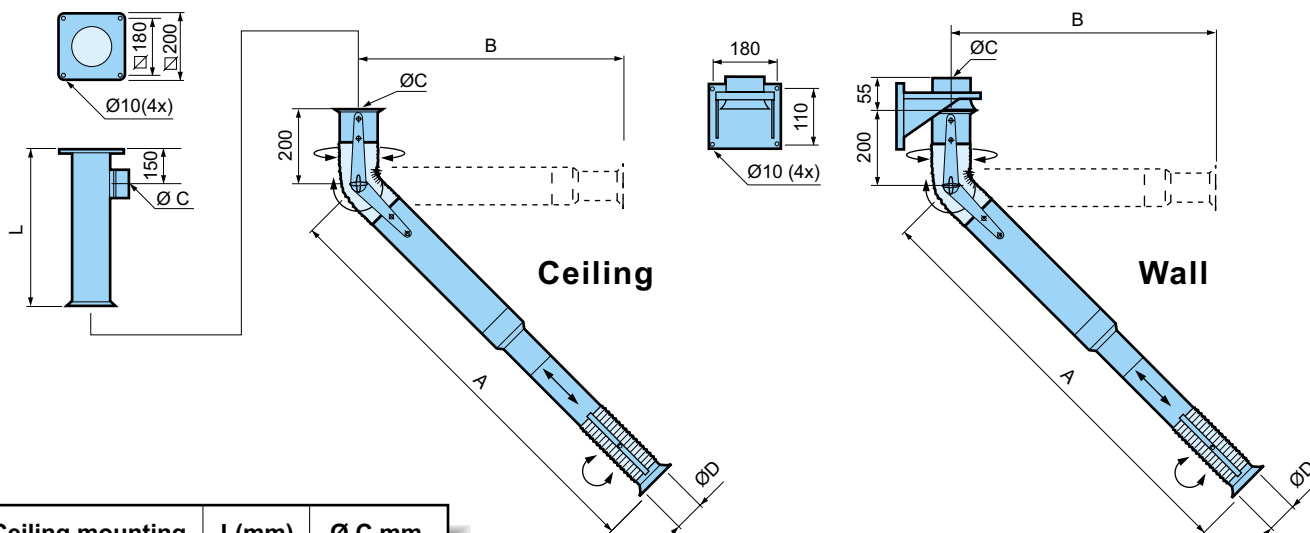
For wall



■ Working radius
□ Maximum radius

■ Working radius
□ Maximum radius

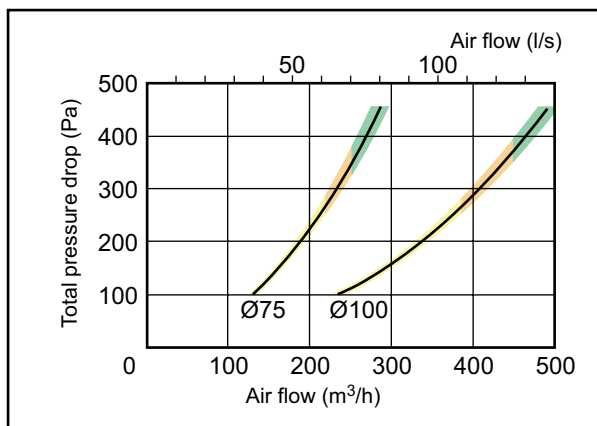
MiniTex 1000, 1400



Ceiling mounting	L(mm)	Ø C mm
TMT 250-100	250	100
TMT 250-125	250	125
TMT 500-100	500	100
TMT 500-125	500	125
TMT 750-100	750	100
TMT 750-125	750	125
TMT 1000-100	1000	100
TMT 1000-125	1000	125

Designation	A (mm)	B (mm)	Ø C (mm)	Ø D (mm)
MT 1000-75 W _{alt} C*	1000	700	100	75
MT 1000-100 W _{alt} C*	1000	700	125	100
MT 1400-75 W _{alt} C*	1400	900	100	75
MT 1400-100 W _{alt} C*	1400	900	125	100

* W = wall * C = ceiling



The black line shows the pressure drop for the arm when it is in the same position as the arm on the dimension print. The field in the diagram shows pressure drop at normal usage. Different tints show air flow in the extractor according to the code below. Recommended transport speed for e.g. laboratories is 10-14 m/s.

- (yellow) 10-14 m/s
- (orange) 14-16 m/s
- (green) 16-18 m/s

Hose

Made of spring steel coil completely embedded in PVC-coated polyamide fabric.

For other hose qualities, contact FUMEX.

Tube

Made of powder coated, rounded sheet steel.

Delivery

For easy installation, the arm is delivered fully assembled including bracket for wall mounting. Ceiling bracket TMT may be ordered separately.

Other hose qualities that can withstand aggressive chemicals, stainless steel design, internal coating of tubes or other special requirements are available on request.

Flat screen hoods, metal or dome hoods and manual dampers are also available on request.

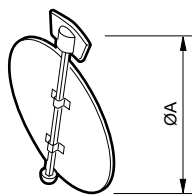
Hose

Qualities Non-inflammable, good resistance against certain chemicals.

Temperature range -10°C to +90°C

Other information

Surface treatment of metal components Powder coating
 Weight incl. of wall bracket 5-6 kg
 incl. of ceiling bracket 7-8 kg



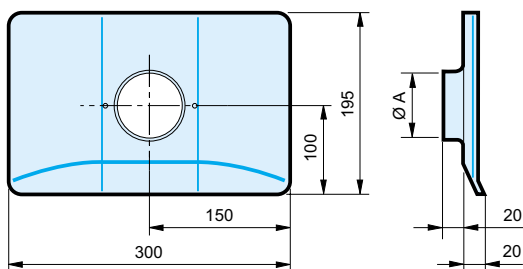
Ø A
75
100

MANUAL DAMPER

Designation MS-75 or MS-100

The manual damper is designed to cut off the air flow in the local extractor.

Rubber seals for minimum leakage.

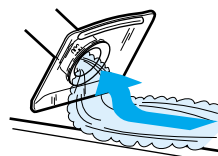


Ø A
75
100

FLAT SCREEN HOOD

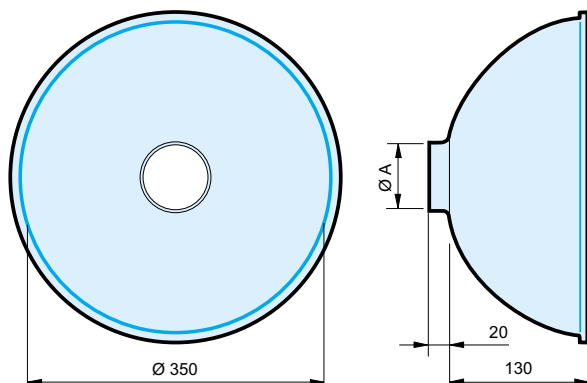
Designation PH-75 or PH-100

The flat screen hood has been designed for maximum working radius without obscuring the vision of the workpiece. It provides maximum extraction for table and bench workspaces.



<i>Material</i>	PMMA (HIP), transparent
<i>Temperature range</i>	-15°C to +80°C
<i>Weight</i>	190 grammes

* Also available in powder coated sheet steel



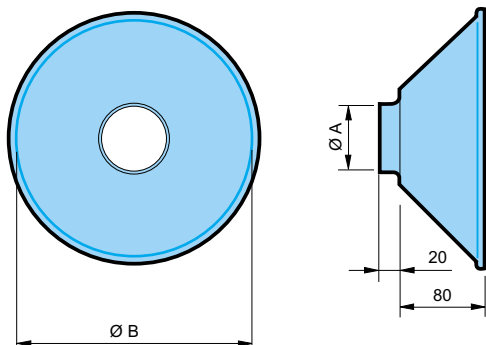
Ø A
75
100

DOME HOOD

Designation K-75 or K-100

The dome hood is used to get close to the source of pollution and screen off the sides, without obscuring the vision of the workpiece.

<i>Material</i>	PMMA (HIP), transparent
<i>Temperature range</i>	-15°C to +80°C
<i>Weight</i>	330 grammes



Ø A	Ø B
75	255
100	255

METAL HOOD

Designation M-75 or M-100

The aluminium hood is used for work in tougher environments, to catch hot gases, dust concentrations etc. The hood may be equipped with *work light rated at 12V, 50W.*

<i>Material</i>	Epoxy-coated aluminium
<i>Temperature range</i>	-15°C to +80°C
<i>Weight</i>	180 grammes
<i>Accessories</i>	Light 50 W with transformer 230/12 VAC

FUMEX®