

MGH

Multisplit system heat pumps
MultiSplit System with capacities from 2.75 to 8.79 kW

R410A



Aermec adheres to the EUROVENT Certification Programme. The products concerned appear in the EUROVENT Certified Products Guide.



Features

DualSplit:

- Outdoor unit MGH1402C with 2 MGH0702E indoor units
- Outdoor unit MGH1902CN with 2 MGH0952EN indoor units
- Outdoor unit MGH2102C with 1MGH0902E and 1 MGH1202E indoor units

TriSplit:

- Outdoor unit MGH2003C with 2 MGH0603E and 1 MGH0803E indoor units
- Outdoor unit MGH3003C with 2 MGH0903E and 1 MGH1203E indoor units

QuadriSplit:

- Outdoor unit MGH3004C with 1 MGH1204E and 3 MGH0604E indoor units

- With R410A refrigerant
- Rotary compressor
- Very quiet operation
- Infrared remote handset with LCD display for full control of all appliance functions
- Local control facility
- Microprocessor control
- Timer for hourly operation programming and timer On LED
- Night-time program
- Dehumidification program
- Programs for cooling only, heating only and automatic operation (heating/cooling)
- Self-diagnostics function
- Easily removable, washable air filter with

anti-mould treatment

- Air outlet deflectors with horizontal adjustment facility
- Motorized louver controllable from remote handset for vertical adjustment of outlet air flow direction
- Refrigerant lines up to 15 m in length.

All indoor units installation is necessary to allow the system correct operation.

Technical data

Outdoor units	Cp* n.	operating indoor units n.	Cooling capacity		Heating capacity	
			W	W	W	W
MGH 1402C	1	1 0702E	2755	1350	2931	1450
		2 0702E + 0702E	4220	1450	4279	1350
MGH 1902CN	2	1 0952EN	2784	1100	3077	1250
		2 0952EN + 0952EN	5274	1900	5802	1900
MGH 2102C	2	1 0902E	2637	900	2930	1350
		2 1202E	3516	1150	3869	1400
MGH 2003C	2	1 0603E	2638	1240	2491	1220
		3 0803E	2344	950	2344	950
MGH 3003C	2	3 0803E + (2 x 0603E)	5861	2170	5861	1920
		1 0903E	2930	1130	3223	1470
MGH 3004C	2	3 1203E	3516	1180	3516	1310
		3 1203E + (2 x 0903E)	8791	3250	9670	3360
MGH 3004C	2	1 0604E	2637	1100	2930	1350
		4 1204E	3517	1180	3517	1310
		4 1204E + (3 x 0604E)	8792	3250	9671	3000

Indoor units	MGH	0603E	0604E	0702E	0803E	0902E	0903E	0952EN	1202E	1203E	1204E
Air flow rate (max. speed)	m ³ /h	312	330	420	342	510	510	420	540	540	540
♪ Sound pressure (max. speed)	dB (A)	34	35	35	34	37	37	39	38	39	39

Outdoor units	MGH	1402C	1902CN	2003C	2102C	3003C	3004C
♪♪ Sound pressure	dB (A)	52	60	54	53	53	53
Refrigerant connections	Ø liquid	1/4"	1/4"	1/4"	1/4"	1/4"	1/4"
	Ø gas	3/8"	3/8"	3/8"	3/8"	3/8"	3/8"

Power supply = 1~ 230V 50Hz.

Performance values refer to the following conditions:

- ♪ Sound pressure measured at 1 m in an anechoic chamber.
- ♪♪ Sound pressure measured in free field conditions at 1 m with direction factor 2.

■ Cooling:

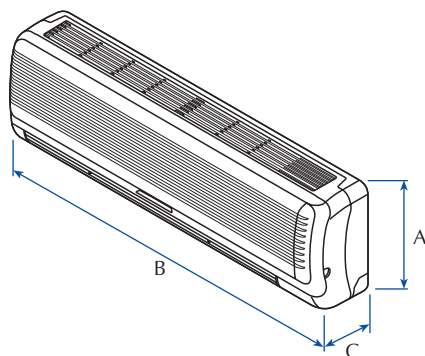
- room air temperature 27 °C D.B., 19 °C W.B.;
- ambient air temperature 35 °C; maximum speed.

■ Heating:

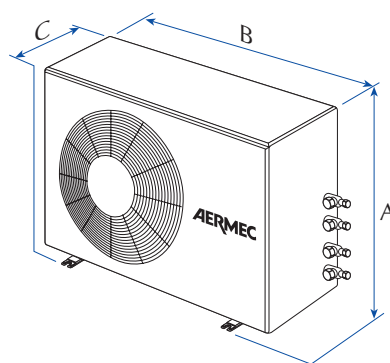
- room air temperature 20 °C;
- ambient air temperature 7 °C D.B., 6 °C W.B.; max.speed.

* Cp = compressors

Dimensions (mm)



Indoor unit



Outdoor unit

	MGH	0603E	0604E	0702E	0803E	0902E	0903E	0952EN	1202E	1203E	1204E
Height	A	260	260	260	260	260	260	262	285	285	285
Width	B	824	802	824	824	802	802	802	900	900	900
Depth	C	155	155	155	155	155	155	155	156	156	156
Weight	kg	7	7	7	7	7	7	7	8	8	8

	MGH	1402C	1902CN	2003C	2102C	3003C	3004C
Height	A	555	655	655	655	1060	1060
Width	B	801	870	870	870	870	870
Depth	C	262	320	320	320	320	320
Weight	kg	48	64	66	64	68	80

The technical data in this document are not binding. Aermec S.p.A. reserves the right to make whatever modifications it deems necessary to improve the product at any time.

Aermec S.p.A.

Via Roma, 44 - 37040 Bevilacqua (VR) - Italy
Tel. +39 04 42 63 31 11 - Telefax +39 044 29 35 66
www.aermec.com