

# MOBILE FILTER

## MF

### Mobile weld-fume filter for temporary worksites



The FUMEX weld-fume filter MF is a handy tool for temporary worksites.

The mobile filter MF offers a high level of filtration and high extraction capacity. It is equipped with a gas-spring balanced extraction arm (RX), two meters long. The smooth inside of the extraction arm helps reduce the risk of ducts being blocked. All necessary adjustments can easily be taken care of from the outside.

Carbon filter cartridges for gas-mixed air are available on request.

The filter is easy to move thanks to four pivot wheels.

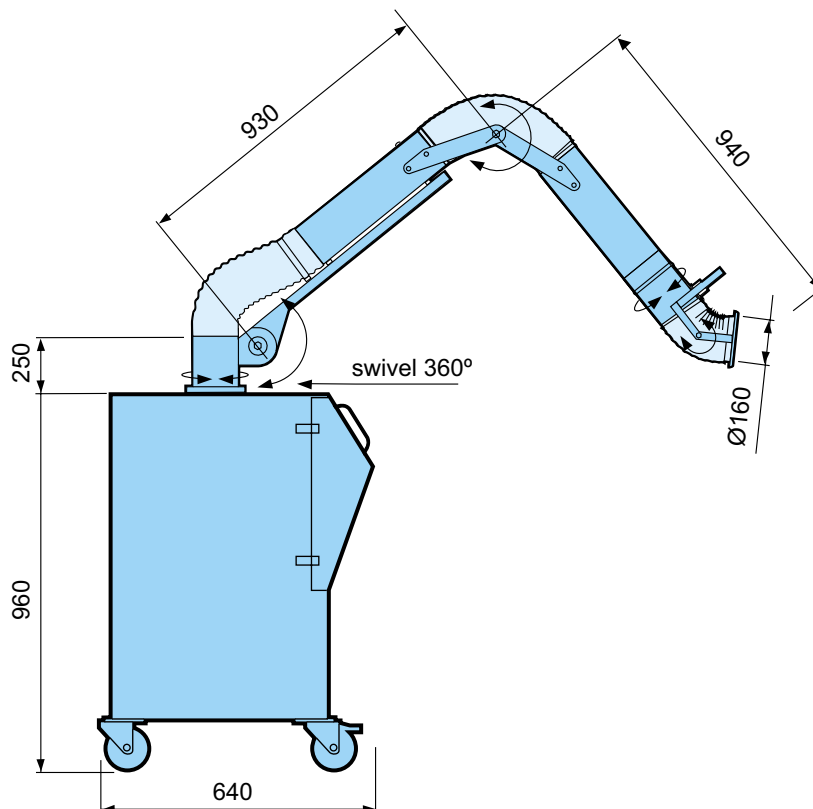
N.B! The portable filter is not intended for extraction of liquids!

Extraction capacity: about 1200 m<sup>3</sup>/h with RX-arm Ø160 mm.

The FUMEX MF filter is delivered with cable and plug for 1-phase 230 V~ connection.

*Fumex also offers a range of fans, accessories and automatic control devices for our local extractors*

**FUMEX**<sup>®</sup>  
LOCAL EXTRACTORS  
**Pure advantage**



### **Filter holder**

Made of powder coated sheet steel with four pivot wheels (two lockable).

### **Filter**

Cartridge filter, 2-layer flame-resistant.

### **Accessories**

Carbon filter.  
Flat screen hood, dome hood or metal hood available on request.

### **Hose**

Made of spring steel coil completely embedded in PVC-coated polyamide fabric. For other hose qualities, contact FUMEX.

### **Tube**

Made of powder coated, rounded sheet steel.

### **Delivery design**

Supplied complete with cable and plug.

### **Performance**

Capacity .....	about 1200 m <sup>3</sup> /h with RX-arm Ø160 mm
Motor power .....	0,75 kW, 2800 rpm 1-phase 230 V~

### **Filter**

Filter standard .....	>98% acc. to DOP
Filter accessory .....	Carbon filter
Filter area .....	14 m <sup>2</sup>

### **Filter holder**

Height x Width x Depth .....	960x470x640 mm
------------------------------	----------------

### **Hose**

Qualities .....	Non-inflammable, suitable for welding fumes and flue gas.
Temperature range .....	-10°C to +90° C

### **Gas spring**

Work temperature .....	+ 20° C
Temperature range .....	-40°C to +90° C

### **Other**

Surface treatment of sheet metal parts .....	Powder coating.
Weight .....	78 kg

# FUMEX®

Verkstadsvägen 2, 931 61 SKELLEFTEÅ, Sweden  
Tel.Int. +46 910-361 80, Fax.Int. +46 910-130 22  
www.fumex.com e-mail: info@fumex.se