



Accessories	FCX fan coils									Versions
	Size									
	17	22 / 24	32 / 34	42 / 44	50 / 54	62 / 64	82 / 84	102		
AMP	✓	✓	✓	✓	✓	✓	✓	✓	✓	All
BC	4	✓	✓	✓	✓	✓	✓	✓	✓	FCX P + MA
	5	✓	✓	✓	✓	✓	✓	✓	✓	FCX P + MU
	6	✓	✓	✓	✓	✓	✓	✓	✓	FCX P + MU
	8	✓	✓	✓	✓	✓	✓	✓	✓	All
	9	✓	✓	✓	✓	✓	✓	✓	✓	All
BV	117	✓*								P-PE
	122		✓*							All
	132			✓*						All
	142				✓*	✓*				All
	162						✓*	✓*	✓*	All
DSC4	✓	✓	✓	✓	✓	✓	✓	✓	✓	All
GA	17	✓								P-PE
	22		✓							All
	32			✓						All
	42				✓	✓				All
	62						✓	✓	✓	All
GAF	17	✓								P-PE
	22		✓							All
	32			✓						All
	42				✓	✓				All
GM	62						✓	✓	✓	All
	17	✓								P-PE
	22		✓							All
	32			✓						All
	42				✓	✓				All
MA	62						✓	✓	✓	All
	17	✓								P-PE
	22		✓							All
	32			✓						All
	42				✓	✓				All
MU	62						✓	✓	✓	All
	17	✓								P-PE
	22		✓							All
	32			✓						All
	42				✓	✓				All
PA	62						✓	✓	✓	All
	17	✓								P-PE
	22		✓							All
	32			✓						All
	42				✓	✓				All
PA-F	62						✓	✓	✓	All
	17	✓								P-PE
	22		✓							All
	32			✓						All
	42				✓	✓				All
PCR	62						✓	✓	✓	All
	1	✓	✓	✓	✓	✓	✓	✓	✓	All
	2	✓	✓	✓	✓	✓	✓	✓	✓	All
	17	✓								P-PE
PM	22		✓							All
	32			✓						All
	42				✓	✓				All
	62						✓	✓	✓	All
	17	✓								P-PE
RD	22		✓							All
	32			✓						All
	42				✓	✓				All
	62						✓	✓	✓	All
	17	✓								P-PE
RDA	22		✓							All
	32			✓						All
	42				✓	✓				All
	62						✓	✓	✓	All
	17	✓								P-PE
RP	22		✓							All
	32			✓						All
	42				✓	✓				All
	62						✓	✓	✓	All
	17	✓								P-PE
RPA	22		✓							All
	32			✓						All
	42				✓	✓				All
	62						✓	✓	✓	All
	17	✓*								P-PE
RX	22		✓*							All
	32			✓*						All
	42				✓*	✓*				All
	52					✓*				All
	62						✓*	✓*	✓*	All
	15X	✓								P-PE
SE	20X		✓							All
	30X			✓						All
	40X				✓	✓				All
	80X						✓	✓	✓	All
	3	✓	✓	✓	✓	✓	✓	✓	✓	PE-PO
SIT	5	✓	✓	✓	✓	✓	✓	✓	✓	PE-PO
	SW3	✓	✓	✓	✓	✓	✓	✓	✓	P-PO
VCF	1	✓	✓	✓	✓	✓	✓	✓	✓	P-PO
	2		✓**	✓**	✓**	✓**				P-PO
	3						✓**	✓**	✓**	P-PO
	4	✓	✓	✓	✓	✓	✓	✓	✓	P-PO
	5	✓	✓	✓	✓	✓	✓	✓	✓	P-PO
ZX	7	✓	✓	✓	✓	✓	✓	✓	✓	All
	8						✓	✓	✓	All

\* = Not available for the 4-row models.

\*\* = The 4-row models can only be combined with the VCF2 valves (FCX-P 24, 34, 44 and 54) and VCF3 valves (FCX-P 64 and 84).

## Technical data

Mod.	FCX-P	17	22	24	32	34	42	44	50	54	62	64	82	84	102
Heating capacity	W (max.)	2490	3400	3950	4975	5850	7400	8600	8620	10100	12920	14300	15140	17100	17020
	W (med.)	2070	2700	3200	4085	4850	6415	6930	7530	8760	10940	11500	13350	14420	15240
	W (min.)	1610	1915	2200	3380	3850	5115	5200	5420	6240	8330	8500	10770	11200	12560
Heating capacity* (water inlet 50°C)	W (max.) (E)	1360	2100	2320	3160	3550	4240	5250	4900	6100	6460	7810	7990	10400	9670
Electric heating element power	W	700	950	-	1300	-	1650	-	1950	-	2200	-	2200	-	2200
Water flow rate	l/h	214	292	340	427	503	636	740	741	869	1110	1230	1300	1471	1464
Water pressure drops	kPa	2.8	6.3	4.0	14.2	8.0	14.1	21.0	14.2	22.0	14.8	22.0	19.8	30.0	16.6
Total cooling capacity	W (max.) (E)	1000	1500	1730	2210	2800	3400	4450	4190	4970	4860	6350	7420	8600	7620
	W (med.)	890	1330	1500	2055	2450	2800	3780	3640	4770	4660	5520	5500	7600	7140
	W (min.)	720	1055	1150	1570	2050	2310	2970	2840	3620	3950	4500	4710	6270	6270
Sensible cooling capacity	W (max.) (E)	830	1240	1380	1750	2130	2760	3300	3000	3540	3980	5030	5680	5780	5980
	W (med.)	710	1055	1140	1540	1789	2115	2722	2750	3101	3510	4195	4250	5016	4984
	W (min.)	540	755	828	1100	1441	1635	2079	2040	2281	2825	3330	3450	4013	4263
Water flow rate	l/h	172	258	297	413	482	585	765	721	912	836	1092	1189	1479	1311
Water pressure drops	kPa (E)	2.6	5.8	3.0	16.6	9.0	14.3	19.2	19.3	25.9	11.6	13.0	13.5	22.0	19.2
Air flow rate	m <sup>3</sup> /h (max.)	200	290	290	450	450	600	600	720	720	920	920	1140	1140	1300
	m <sup>3</sup> /h (med.)	160	220	220	350	350	460	460	600	600	720	720	930	930	1120
	m <sup>3</sup> /h (min.)	110	140	140	260	260	330	330	400	400	520	520	700	700	900
Fans	n.	1	1	1	2	2	2	2	2	2	3	3	3	3	3
	dB (A) (max.)	36.5	41.5	42.5	39.5	39.5	42.5	46.5	47.5	47.5	48.5	48.5	53.5	52.5	57.5
	dB (A) (med.)	29.5	34.5	37.5	32.5	32.5	35.5	41.5	42.5	44.5	42.5	42.5	48.5	48.5	52.5
	dB (A) (min.)	22.5	22.5	26.5	25.5	27.5	28.5	32.5	33.5	35.5	33.5	35.5	41.5	42.5	47.5
Sound pressure FCX PO	dB (A) (max.)	-	49.5	49.5	44.0	44.0	50.0	50.0	50.5	50.5	53.5	53.5	55.5	55.5	-
Sound power FCX PO	dB (A) (max.)	-	58.0	58.0	52.5	52.5	58.5	58.5	59.0	59.0	62.0	62.0	60.0	64.0	-
Sound power	dB (A) (max.) (E)	45.0	50.0	51.0	48.0	48.0	51.0	55.0	56.0	56.0	57.0	57.0	62.0	61.0	66.0
	dB (A) (med.) (E)	38.0	43.0	46.0	41.0	41.0	44.0	50.0	51.0	53.0	51.0	51.0	57.0	57.0	61.0
	dB (A) (min.) (E)	31.0	31.0	35.0	34.0	36.0	37.0	41.0	42.0	44.0	42.0	44.0	50.0	51.0	56.0
Water contents	l	0.58	0.79	1.0	1.11	1.5	1.48	1.9	1.48	1.9	2.52	3.4	2.52	3.4	2.52
Max. motor power (W)	FCX P (E)	35	25	33	44	44	57	57	67	67	82	91	106	106	131
	FCX PO	-	54	54	97	97	111	111	82	82	97	97	135	135	-
Max. input current (A)	FCX P	0.16	0.12	0.25	0.21	0.45	0.28	0.51	0.35	0.36	0.40	0.48	0.49	0.62	0.58
	FCX PO	-	0.25	0.25	0.45	0.45	0.51	0.51	0.36	0.36	0.48	0.48	0.62	0.62	-
Max. motor power with electric heater (W)	FCX P	735	975	-	1344	-	1707	-	2017	-	2282	-	2306	-	2331
	FCX PO	-	1004	-	1397	-	1761	-	2032	-	2297	-	2335	-	-
Input current with electric heater (A)	FCX P	3.2	4.25	-	5.86	-	7.45	-	8.83	-	9.97	-	10.06	-	10.15
	FCX PO	-	4.38	-	6.00	-	7.68	-	8.84	-	10.05	-	10.19	-	-
Coil connections	ø (4R)	-	-	3/4"	-	3/4"	-	3/4"	-	3/4"	-	3/4"	-	3/4"	-
	ø (3R)	1/2"	1/2"	-	1/2"	-	3/4"	-	3/4"	-	3/4"	-	3/4"	-	3/4"
	ø (1R)	1/2"	1/2"	-	1/2"	-	1/2"	-	1/2"	-	1/2"	-	1/2"	-	1/2"

Power supply = 1~ 230V 50Hz.

(E) = Prestazioni certificate EUROVENT

Performance values refer to the following conditions:

♪ Sound pressure measured in an 85 m<sup>3</sup> semi-reverberant test chamber with reverberation time Tr = 0.5s.

■ Cooling:

- room air temperature 27 °C D.B., 19 °C W.B.;
- water inlet temperature 7 °C; maximum speed;
- Δt water 5 °C.
- for medium and low speed, water flow rate remains same as at maximum speed.

■ Heating:

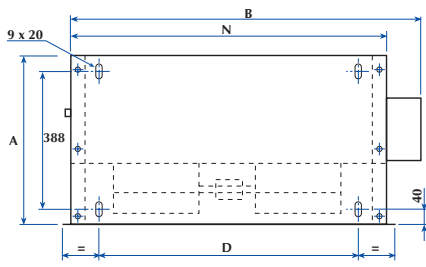
- room air temperature 20 °C;
- water inlet temperature 70 °C; maximum speed;
- Δt water 10 °C;
- for medium and low speed, water flow rate remains same as at maximum speed.

■ Heating\*:

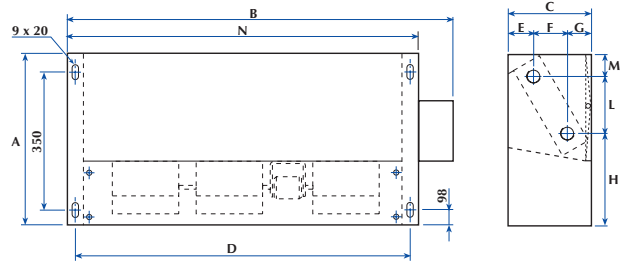
- room air temperature 20 °C;
- water inlet temperature 50 °C; maximum speed;
- water flow rate same as in cooling operation.

## Dimensions (mm)

FCX P 17 - 22 - 32 - 42 - 50

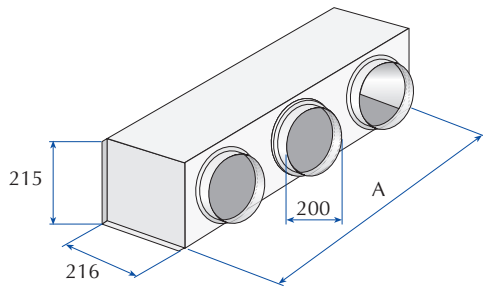


FCX P 62 - 82 - 102



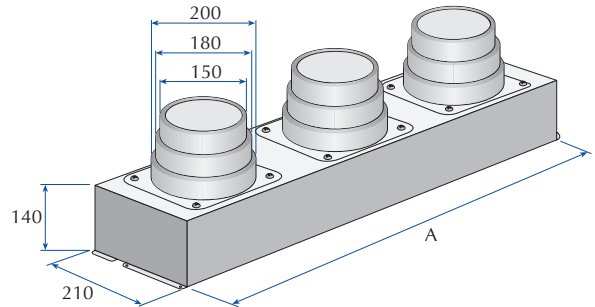
FCX P	17	22 - 24	32 - 34	42 - 44	50 - 54	62 - 64	82 - 84	102
A	453	453	453	453	453	558	558	558
B	452	562	793	1013	1013	1147	1147	1147
C	216	216	216	216	216	216	216	216
D	330	440	671	891	891	1102	1102	1102
E	41	41	41	41	41	41	41	41
F	101	101	101	101	101	107	107	107
G	74	74	74	74	74	68	68	68
H	260	260	260	260	260	273	273	273
L	144	144	144	144	144	253	253	253
M	49	49	49	49	49	32	32	32
N	412	522	753	973	973	1122	1122	1122
Weight (Kg)	11	13	18	22	22	33	33	33

PA - INTAKE PLENUM



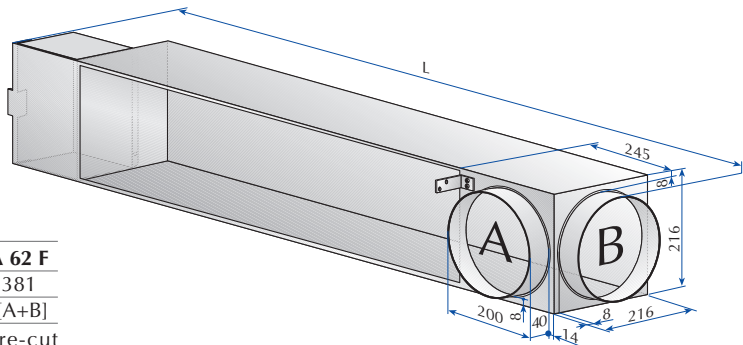
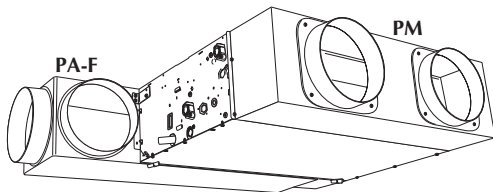
PA	17	22	32	42	62
A	390	500	731	951	1072
Blocks	1	2	2	3	4

PM - DELIVERY PLENUM



PM	17	22	32	42	62
A	412	522	753	973	1094
Blocks	1	2	2	3	4

PA-F - FRONT INTAKE PLENUM



	PA 17 F	PA 22 F	PA 32 F	PA 42 F	PA 62 F
A	658	768	1039	1259	1381
Blocks	1 [A]	1 [A]	2 [A+B*]	2 [A+B*]	2 [A+B]

B\* = unopened intake spigot. To use it remove the pre-cut element.

The technical data in this document are not binding. Aermec S.p.A. reserves the right to make whatever modifications it deems necessary to improve the product at any time.

Aermec S.p.A.  
Via Roma, 44 - 37040 Bevilacqua (VR) - Italy  
Tel. +39 04 42 63 31 11 - Telefax +39 044 29 35 66  
www.aermec.com