

EWIH

Split system heat pumps
Wall installation with capacities from 2.1 to 7.0 kW with Inverter and Plasmacluster filter



R410A

Plasmacluster



EWI 071 H
EWI 091 H
EWI 121 H

Energy Efficiency



EWI 181 H
EWI 241 H



CWI H



Aermec adheres to the EUROVENT Certification Programme. The products concerned appear in the EUROVENT Certified Products Guide.

PLASMACLUSTER ionising filter.

Plasmacluster is capable of reducing the level of pollutants, by decomposing the molecules that form them.

Using a series of electric shocks, "Plasmacluster" causes the water molecules present in the air to separate into positive and negative ions. These ions neutralise the gas pollutant molecules, forming products that are normally present in clean air.

The result is in the air: you can finally breath clean, odour-free ionised air.

EWIH is fitted with a new generation filter: PLASMACLUSTER produces even more ions than the previous version.

The result is faster air purification in the climate controlled environment.

The COANDA effect

EWIH is fitted with new vertical deflectors which, in addition to the standard positions used in cooling and heating mode, can also direct the air flow towards the ceiling (cooling function) or towards the floor (heating function).

The result is better air distribution around the room without irritating draughts.

Features

- With R410A refrigerant
- Available in 3 different power versions
- Inverter technology for large power savings and optimized room comfort conditions
- Room reaches required temperature after switching on in 2/3 the time of an equivalent appliance without an inverter
- Excellent ratio between heating capacity and cooling capacity, thanks to the inverter-controlled compressor
- Three-speed cross flow fan
- Variable speed rotary compressor
- Air outlet deflectors with horizontal adjustment facility
- Motorized louver controllable from remote handset for vertical adjustment of outlet air flow direction
- Very quiet operation
- Infrared remote handset with LCD display for full control of all functions of the appliance
- Microprocessor control
- Local control facility
- Timer for programming On/Off times
- Programs for cooling only, heating only, dehumidification and automatic operation (heating/cooling)
- Self-diagnostics function
- Easily removable, washable air filter with anti-mould treatment
- Defrost control
- Refrigerant lines with flared ends
- Refrigerant lines up to 15m for EWI 071H - 091H - 121H, up to 20m for EWI 181H and up to 30m for EWI 241H

Technical data

			EWI 071 H CWI 071 H	EWI 091 H CWI 091 H	EWI 121 H CWI 121 H	EWI 181 H CWI 181 H	EWI 241 H CWI 241 H
Cooling capacity	nominal (E)	W	2100	2640	3500	5000	7000
	min. - max.	W	900 - 2500	900 - 3000	900 - 3800	900 - 5700	1600 - 7700
Energy Efficiency			A	A	A	B	C
EER			3,96	3,38	3,21	3,01	2,81
Input power	nominal (E)	W	530	780	1090	1660	2490
	min. - max.	W	200 - 760	200 - 960	210 - 1300	330 - 2190	500 - 2900
Input current	nominal	A	2,5	3,7	5,0	7,4	11
Moisture removed	max. speed	l/h	0,6	0,7	1,2	1,6	2,6
	max.	m ³ /h	480	516	588	924	1098
	med.	m ³ /h	408	438	510	786	954
Indoor unit air flow rate	min.	m ³ /h	330	330	414	636	744
	nominal (E)	W	2400	3100	4000	5700	7500
Heating capacity	min. - max.	W	900 - 3400	900 - 4800	1000 - 6000	900 - 7700	1800 - 9500
Energy Efficiency			A	A	A	A	C
COP			4,70	4,24	3,89	3,60	3,22
Input power	nominal (E)	W	510	730	1030	1580	2330
	min. - max.	W	160 - 1100	160 - 1400	180 - 1900	330 - 2400	500 - 3170
Input current	nominal	A	2,4	3,5	4,8	7	10,3
Sound pressure	Indoor unit	max. dB (A)	37	39	40	43	47
		min. dB (A)	28	28	28	33	36
	Outdoor unit	dB (A)	45	45	48	49	55
Outdoor unit air flow rate		m ³ /h	1392	1398	1602	1908	3360
Refrigerant connections	liquid	Ø	1/4"	1/4"	1/4"	1/4"	3/8"
	gas	Ø	3/8"	3/8"	3/8"	1/2"	5/8"

Power supply = 1~ 230V 50Hz.

(E) Eurovent certified performance values.

Performance values refer to the following conditions:

♪ measured at 1.3 m in an anechoic chamber.

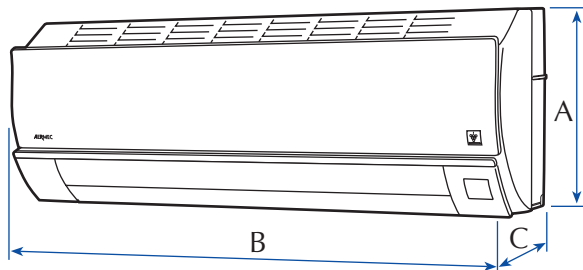
■ Cooling:

- room air temperature 27 °C D.B., 19 °C W.B.;
- ambient air temperature 35 °C; maximum speed.

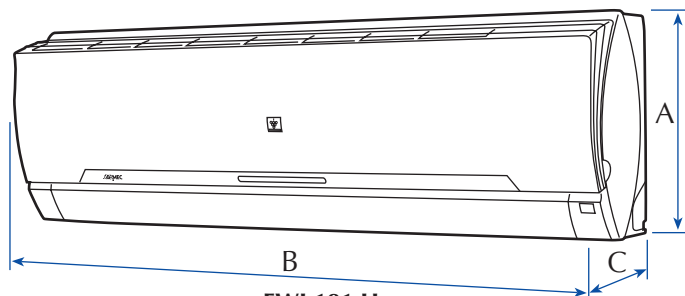
■ Heating:

- room air temperature 20 °C;
- ambient air temp. 7 °C D.B., 6 °C W.B.; max. speed.

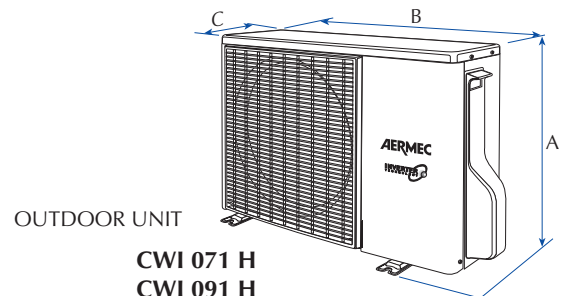
Dimensions (mm)



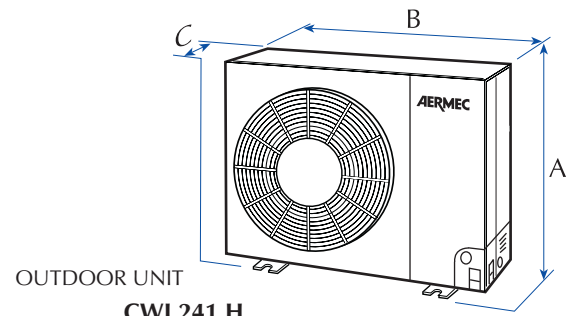
INDOOR UNIT
EWI 071 H
EWI 091 H
EWI 121 H



INDOOR UNIT
EWI 181 H
EWI 241 H



OUTDOOR UNIT
CWI 071 H
CWI 091 H
CWI 121 H
CWI 181 H



OUTDOOR UNIT
CWI 241 H

		Indoor unit					Outdoor unit				
		071 H	091 H	121 H	181 H	241 H	071 H	091 H	121 H	181 H	241 H
Height	A	278	278	278	325	325	540	540	540	540	800
Width	B	790	790	790	1040	1040	730	730	730	780	890
Depth	C	198	198	198	229	229	250	250	250	265	320
Weight	kg	10	10	10	16	16	36	36	36	37	61

The technical data in this document are not binding.
Aermec S.p.A. reserves the right to make whatever modifications
it deems necessary to improve the product at any time.

Aermec S.p.A.
Via Roma, 44 - 37040 Bevilacqua (VR) - Italy
Tel. +39 04 42 63 31 11 - Telefax +39 044 29 35 66
www.aermec.com