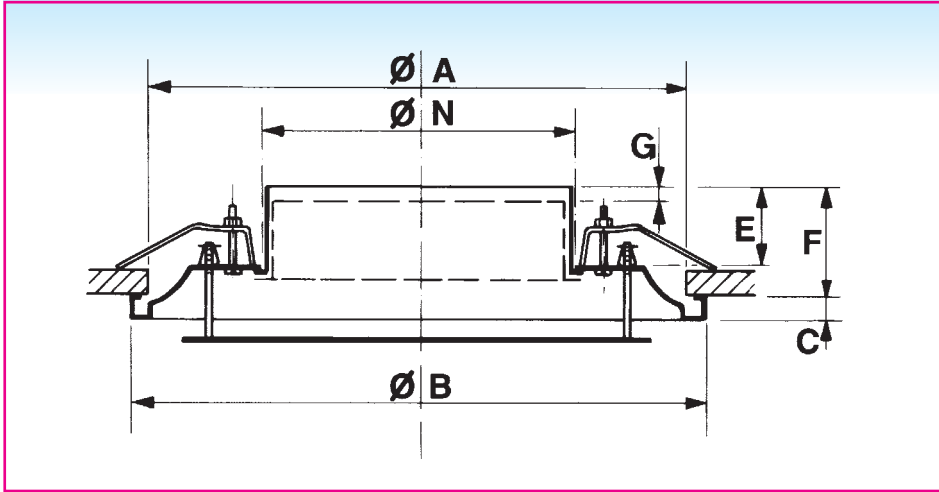


CIRCULAR DIFFUSER WITH ADJUSTABLE PATTERN CC600

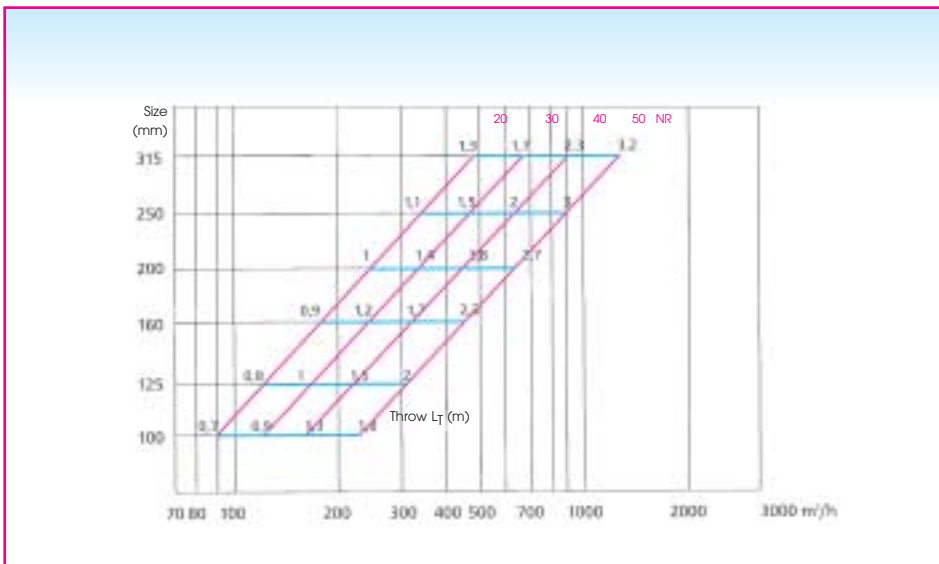
Installation dimensions



Size	A	B	C	F	N	E	G
100	207	230	22	56	100	51	15
125	242	265	22	53	125	51	15
160	287	310	25	93	160	71	15
200	338	365	25	93	200	71	15
250	397	430	25	93	250	71	15
315	476	515	30	88	315	71	15

All dimensions in mm.

Fast selection diagram



Throw factor is based on a v_R of 0,17 m/s in the occupied zone.
See next page for a detailed selection.



Application

The diffuser type CC600 is used for the supply and exhaust of cooled or heated air in facilities such as offices, shopping centres, ... The diffuser can be mounted in the ceiling where high aesthetic standards are required. Adjustable air pattern (horizontally - vertically). Due to its stable air distribution, it can also be used for VAV terminal boxes.

Adjusting possibilities:



Vertical air pattern



Horizontal air pattern

Technical information

Characteristics :

- air pattern adjustable in 5 positions (horizontally - vertically)
- removable deflector plate

Construction:

- painted white (RAL 9010)

Specifications description

Example:

Circular diffuser with adjustable air pattern and circular top entry, complete with a telescopic damper in the diffuser neck.

The diffuser is painted in white (RAL 9010)

Type: **CC601**
size ... mm

Fixing

- with 3 mounting brackets
- with screws in the diffuser neck

Possible deliveries

- **CC600**: circular diffuser
- **CC601**: circular diffuser with telescopic damper

How to order

CC600 size 250 mm with damper

C	C	6	0	1	-	-	0	2	5	0	0	0	0	0
---	---	---	---	---	---	---	---	---	---	---	---	---	---	---

Size

0 : without damper
1 : with damper