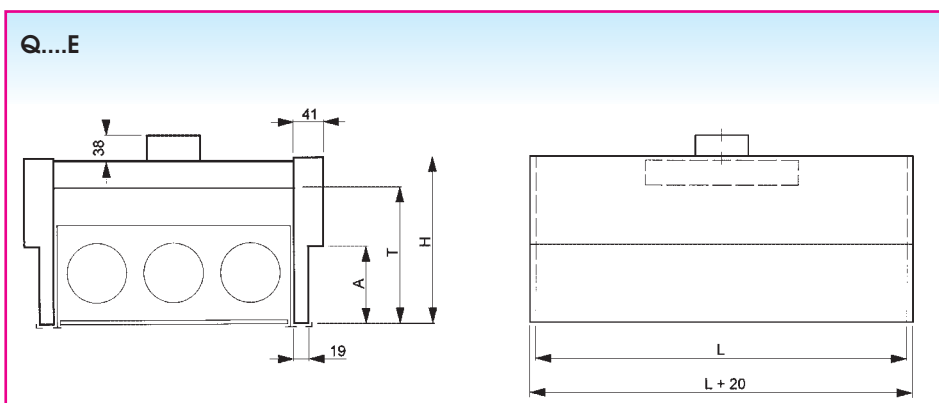
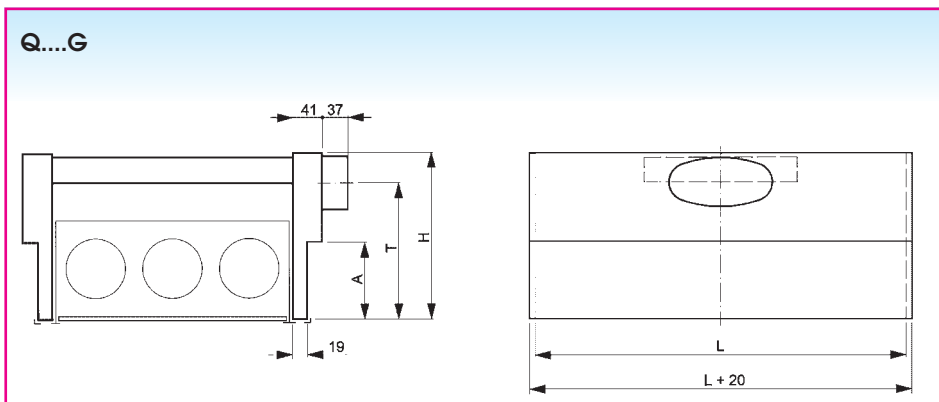
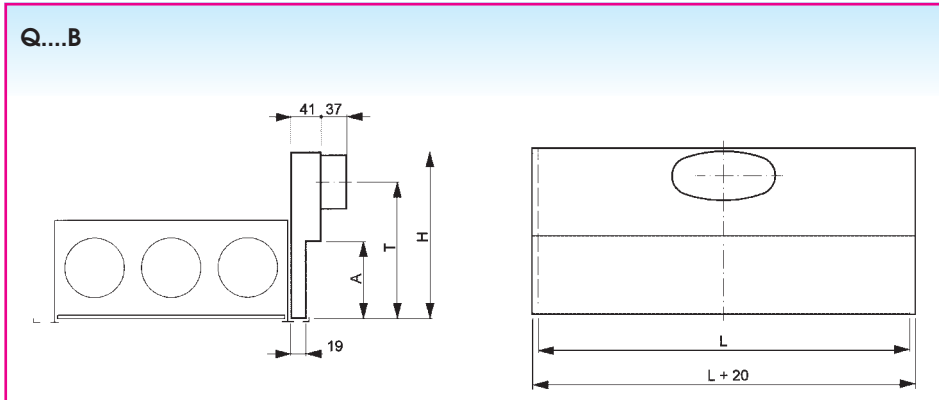


SLOT DIFFUSER FOR LUMINAIRES

QA • QT

Installation dimensions



Height	A	H	T
15	63	154	111
20	111	203	168

All dimensions in mm.



Application

The slot diffuser for luminaires, type QA/QT, is designed for mounting with luminaires. The air diffusion goes through the slots which are mounted on the sides of the luminaires. The air supply pattern is adjustable vertical or horizontal by means of a deflector operated through a slot opening. The diffuser has a very high induction level and an extremely low noise level. The diffuser is especially equipped for a fast, efficient and economical mounting in system-ceilings demanding an outstanding aesthetic result.

Technical information

Characteristics

- Adjustable air diffusion pattern by means of a deflector : horizontal-vertical
- Air flow adjustable : either by means of a damper in the inlet spigot (on side inlet devices), or by means of a damper within each plenum (on top inlet devices), or by combination of both. The dampers can be adjusted through the slot of the diffuser by an especially furnished key.
- Circular inlet for all top and side inlets with \varnothing nom. = 80 mm
- Oval inlet for side inlets with \varnothing nom. = 100, 125 and 150 mm

- Delivered following specifications of customer
- Construction as exhaust diffuser also available : like supply but without deflector (QA)

Construction

- Galvanised sheet steel, deflector in extruded aluminium;
- painted black (RAL 9005).

Specifications description

Example :

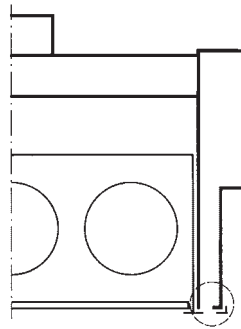
Slot diffuser for luminaires in galvanised sheet steel in double construction with top inlet for assembling with luminaire. The diffuser is supplied with an adjustable deflector and a damper. Painted standard in black (RAL 9005).

Type : QT115E

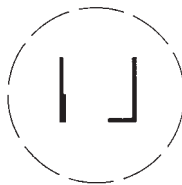
L = ... mm/ Inlet dia. = ... mm.

Possible deliveries

- base constructions :
 - QA...B/QT...B : single plenum with side inlet
 - QA...E/QT...E : double plenum (two plenums with connection) with top inlet
 - QA...G/QT...G : double plenum with side inlet
- Following the construction of the luminaire, 9 different slot openings are available



QA/QT100



QA/QT200



QA/QT300



QA/QT400



QA/QT500



QA/QT600



QA/QT700



QA/QT800



QA/QT900



How to order

QT200, single plenum, height 150 mm, slot length 1000 mm and inlet spigot 125 mm.

Q	T	2	1	5	B	-	1	0	0	0	0	1	2	5
---	---	---	---	---	---	---	---	---	---	---	---	---	---	---

slot length inlet spigot

B : single plenum, side inlet
 E : double plenum, top inlet
 G : double plenum, side inlet

15 } height (cm)
 20 }

1 à 9 : deflection

A : exhaust without deflectors
 T : supply with deflectors