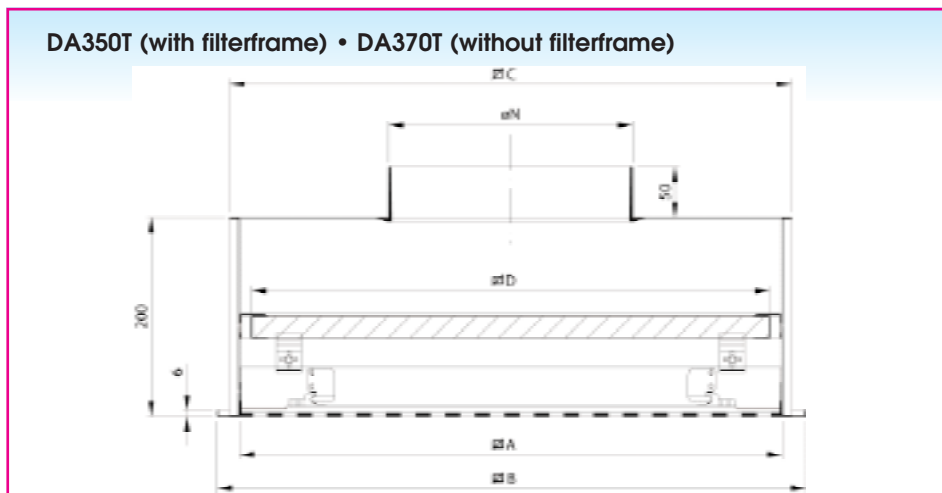


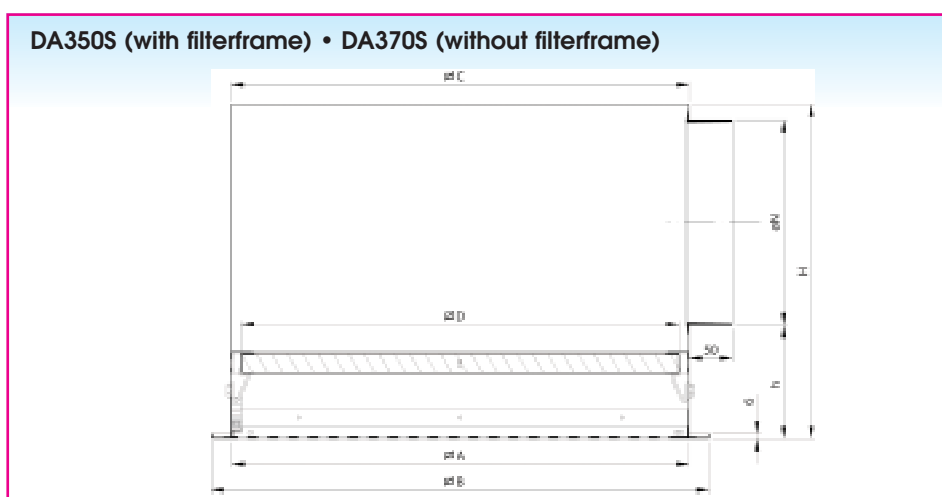
### DIFFUSER WITH PERFORATED PLATE FOR EXHAUST DA350T • DA350S • DA370T • DA370S

#### Installation dimensions



#### DA350T • DA370T

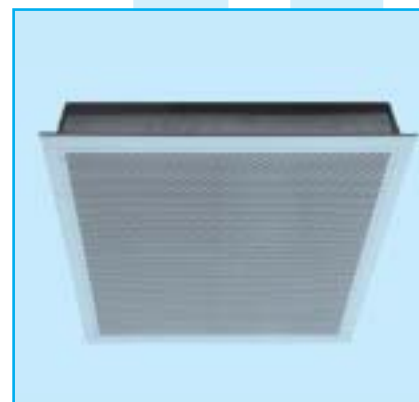
Size	Ø N	□ A	□ B
160	158	244	294
200	198	344	394
250	248	444	494
315	313	544	594



#### DA350S • DA370S

Size	Ø N	□ A	□ B	□ C	□ D	H	h
160	158	244	294	266 x 248	230x230x22	310	110
200	198	344	394	366 x 348	330x330x22	350	110
250	248	444	494	466 x 448	430x430x22	400	135
315	313	544	594	566 x 548	530x530x22	460	135

All dimensions in mm.



#### Application

The diffuser type DA350/370 is used for the exhaust of air in facilities such as offices, shopping centres, ... The diffuser can be mounted in the ceiling.

#### Technical information

##### Characteristics :

- available with clips lock and push-pull lock
- free passage ca. 50%
- the perforated plate is mounted in the frame with hinges for access.

##### Construction:

- diffuser: steel, painted white (RAL 9010)
- plenum : galvanised sheet steel

