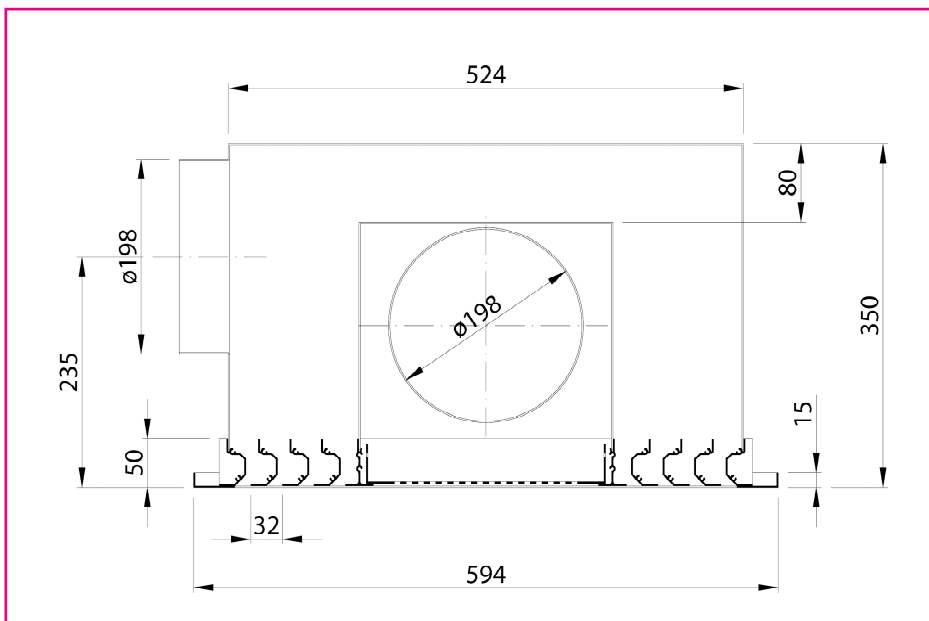
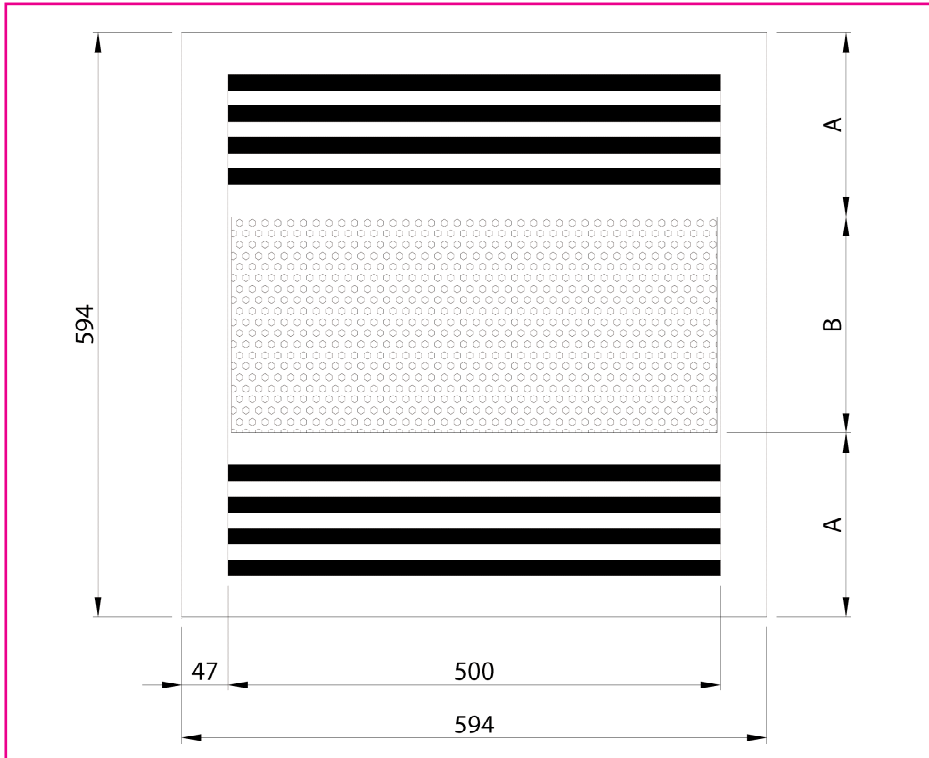


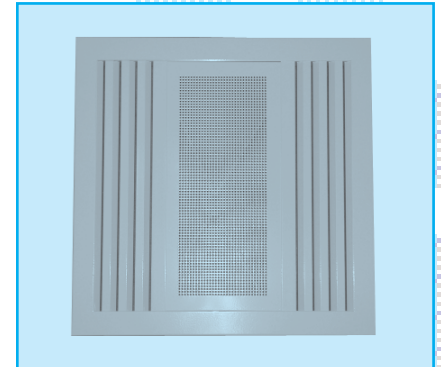
## DOUBLE-SIDED PULSE SLOT DIFFUSER WITH CENTRAL EXTRACTION GRILLE TE370

### Installation dimensions



All dimensions in mm.

	A	B	XFI (filter)
TE371	55	484	472x538x5
TE372	119	356	408x538x5
TE373	151	292	344x538x5
TE374	183	228	280x538x5



### Application

The TE370 slot diffuser is suitable for supplying and extracting heated and cooled air in, among other places, offices, conference rooms.

Specially developed fixed blades ensure a fixed double-sided horizontal pulse pattern and a low noise level. High induction and high penetration of the airflow into the room are obtained without internal turbulence. The central removable part of the diffuser is perforated and is responsible for extracting air.

The frame of the grille can be modified according to the type of ceiling.

### Technical information

#### Characteristics:

- supply: deliverable with up to 4 slots on both sides of the grille, fixed double-sided horizontal pulse pattern
- extraction: perforation, free passage c. 51%
- diffuser fitted with plenum, optionally insulated, equipped with a damper in inlet spigot, or equipped with a perforated damper in inlet spigot

#### Construction:

- Combined aluminium-steel ceiling diffuser, white powder-coated (RAL9010)
- Double plenum (supply and extraction sections) made from galvanised sheet steel
- **Option:** filter frame and spring clips in extraction plenum

## Specification description

### Example:

Combined aluminium-steel ceiling diffuser for supply and extraction.

The supply section consists of fixed slot diffusers with 4 slots right and 4 slots left.

The extraction section is located centrally and consists of a removable perforated grille.

The frame of this ceiling diffuser can be modified according to the type of ceiling.

The unit is delivered with a fixed plenum consisting of a supply section and a central extraction section. The plenum is fitted with 1 round connections for supply and 1 round connection for extraction.

**Type: TE374S**  
size ... mm

## Fixing

- mounted on T-bars, provided with mounting eyes (ø 7mm), mounting straps available on demand

## How to order

TE370 with 4 slots left and right, size 594 mm and solid plenum

T	E	3	7	4	S	-	0	5	9	4	0	5	9	4
---	---	---	---	---	---	---	---	---	---	---	---	---	---	---

- : non insulated plenum  
G: insulated plenum
- : single diffuser  
S : solid plenum (mounting Grada on demand)
- number of slots by side

X	F	I	0	0	2	M	-	-	-	-	-	-	-	-
---	---	---	---	---	---	---	---	---	---	---	---	---	---	---

- XFI002M: wire frame filter G2
- XFI003M: wire frame filter G3
- XFI004M: wire frame filter G4