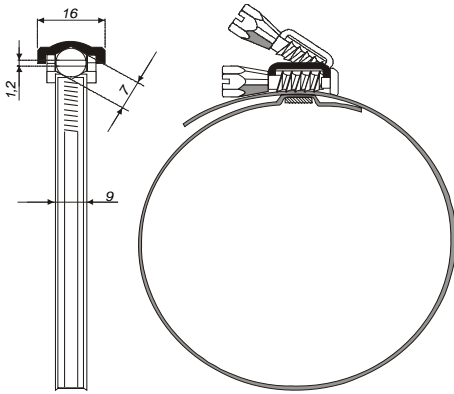


METAL CLAMPS



The **METAL CLAMP** is appropriate to mounting all kinds of flexible ducts.



CONSTRUCTION

The **METAL CLAMP** has been constructed according to the DIN 3017 standards. The strip has been manufactured out of stainless steel (UNI x 8 Cr 17-DIN 1.4016(W2) - AISI 430). The clamp has been manufactured out of hardened galvanized steel.

DELIVERY PROGRAM

METAL CLAMPS are available in a box containing 100pcs.

The diameter range is 50 to 660mm.

Ordering Code: **QIP [maximum diameter]**

SUMMARY OF THE DELIVERY PROGRAM

Ordering code	Minimum diameter (mm)	Maximum diameter (mm)
QIP090	50	90
QIP110	60	110
QIP135	60	135
QIP165	60	165
QIP180	60	180
QIP215	60	215
QIP270	60	270
QIP325	60	325
QIP380	60	380
QIP525	60	525
QIP560	60	560
QIP660	60	660

The information contained in this brochure was current on the publication date. The Company reserves the right to make changes in details at any time without prior notice. In order to avoid misunderstandings, any interested party is advised to contact the Company checking for any changes in materials and/or information after this brochure was published.

Version 2004 www.decinternational.com