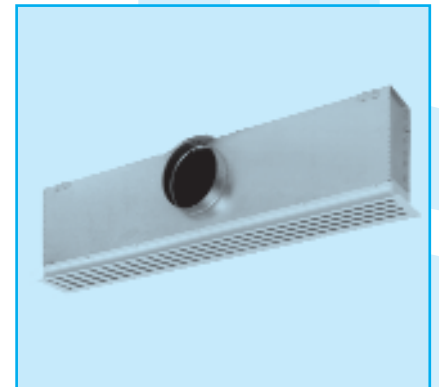
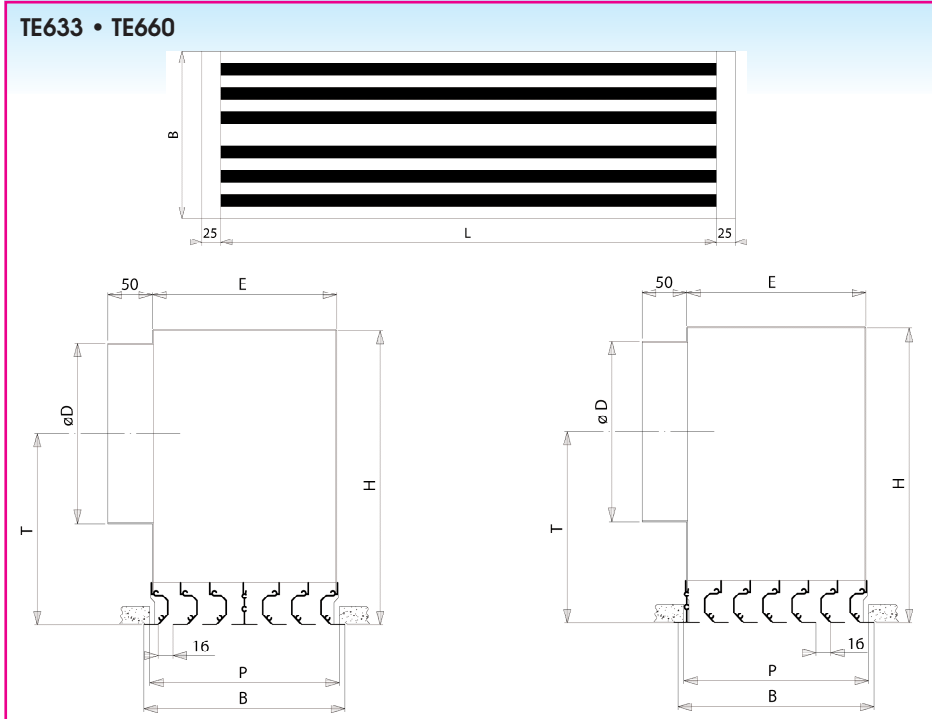


FIXED SLOT DIFFUSER TE600 • TE700

Installation dimensions



Application

The slot diffuser, type TE600/700, is used for the supply of cooled and heated air in facilities such as offices, meeting rooms, shops, ... The especially developed deflectors ensure a stable horizontal air supply pattern and a low noise level. The result is a high induction level and an air flow penetration in the space without internal turbulences. By the reduced pressure drop, the diffuser is the ideal solution for VAV-applications.

Technical information

Characteristics

- free selection of the supply direction of the fixed not adjustable deflectors in 1 or 2 directions (supply directions seen with right air entry)
- available with 1 - 8 slots, standard lengths 300, 600, 900, 1200 mm
- diffuser supplied with plenum, with or without internal insulation, with or without damper; the plenum is fixed directly on the diffuser (mounting Grada on demand)
- **TE600** : fixed core
TE700 : hinged core, with push-pull closing (available from 4 slots)

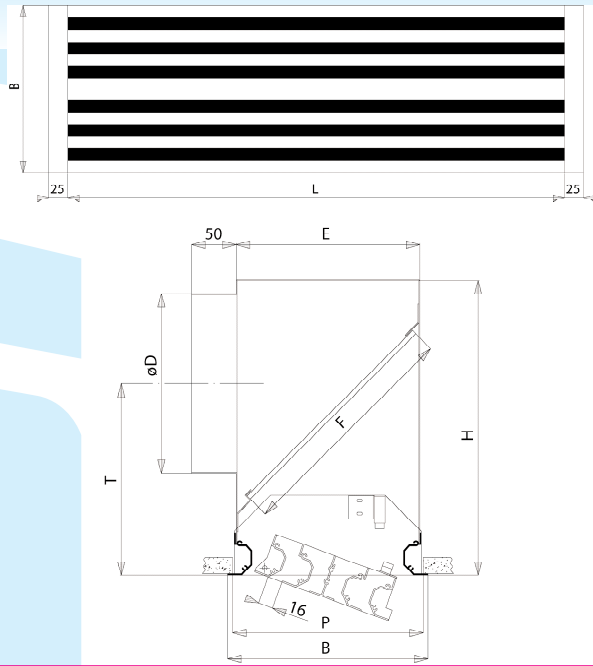
Construction

- diffuser completely out of extruded aluminium, painted in white (RAL 9010)
- plenum out of galvanised sheet steel
- plenum provided with mounting eyes (ø 7mm), mounting straps available on demand

	1 SLOT				2 SLOTS			
L	300	600	900	1200	300	600	900	1200
B	61	61	61	61	93	93	93	93
ø D	125	125	160	200	125	160	200	250
T	250	250	232	212	250	232	212	187
E (1R)	36	36	36	36	68	68	68	68
E (2R)	-	-	-	-	73	73	73	73
P	48	48	48	48	80	80	80	80
	3 SLOTS				4 SLOTS			
L	300	600	900	1200	300	600	900	1200
B	125	125	125	125	157	157	157	157
ø D	160	200	250	250	200	250	250	250
T	232	212	187	187	212	187	187	187
E (1R)	100	100	100	100	132	132	132	132
E (2R)	105	105	105	105	137	137	137	137
P	112	112	112	112	144	144	144	144
	5 SLOTS				6 SLOTS			
L	300	600	900	1200	300	600	900	1200
B	189	189	189	189	221	221	221	221
ø D	200	250	250	250	200	250	250	250
T	212	187	187	187	212	187	187	187
E (1R)	164	164	164	164	196	196	196	196
E (2R)	169	169	169	169	201	201	201	201
P	176	176	176	176	208	208	208	208
	7 SLOTS				8 SLOTS			
L	300	600	900	1200	300	600	900	1200
B	253	253	253	253	285	285	285	285
ø D	200	250	250	250	200	250	250	250
T	212	187	187	187	212	187	187	187
E (1R)	228	228	228	228	260	260	260	260
E (2R)	233	233	233	233	265	265	265	265
P	240	240	240	240	272	272	272	272

L = nominal length
All dimensions in mm

TE733



	4 SLOTS			
L	300	600	900	1200
B	157	157	157	157
ø D	200	250	250	250
T	212	187	187	187
E (1R)	132	132	132	132
E (2R)	137	137	137	137
H	325	325	325	365
P	144	144	144	144
F (1R)	180	180	180	180
F (2R)	188	188	188	188

	5 SLOTS				6 SLOTS			
L	300	600	900	1200	300	600	900	1200
B	189	189	189	189	221	221	221	221
ø D	200	250	250	250	200	250	250	250
T	212	187	187	187	212	187	187	187
E (1R)	164	164	164	164	196	196	196	196
E (2R)	169	169	169	169	201	201	201	201
H	325	325	325	365	325	325	325	365
P	176	176	176	176	208	208	208	208
F (1R)	207	207	207	207	252	252	252	252
F (2R)	215	215	215	215	260	260	260	260

	7 SLOTS				8 SLOTS			
L	300	600	900	1200	300	600	900	1200
B	253	253	253	253	285	285	285	285
ø D	200	250	250	250	200	250	250	250
T	212	187	187	187	212	187	187	187
E (1R)	228	228	228	228	260	260	260	260
E (2R)	233	233	233	233	265	265	265	265
H	325	325	325	365	325	325	325	365
P	240	240	240	240	272	272	272	272
F (1R)	298	298	298	298	343	343	343	343
F (2R)	280	280	280	280	320	320	320	320

1R = 1 supply direction
2R = 2 supply directions

P = minimum ceiling opening width
L + 13 = minimum ceiling opening length

Specifications description

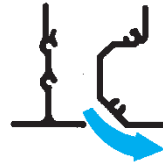
Example :

Aluminium slot diffuser with 2 fixed supply slots blowing the same direction. Delivered complete with plenum box both with circular side entry spigot and damper. The diffuser is painted in white (RAL9010). The plenum is made out of galvanised sheet steel.

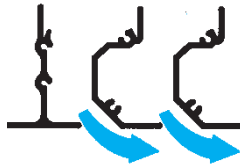
Type : **TE602 + TP202 G**
length ... mm

Possible deliveries

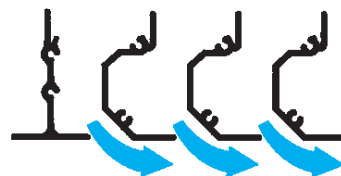
1 SUPPLY DIRECTION TE601/610



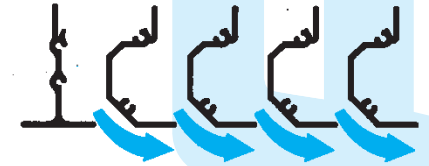
TE602/620



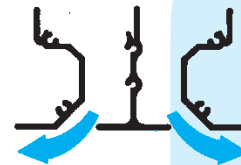
TE603/630



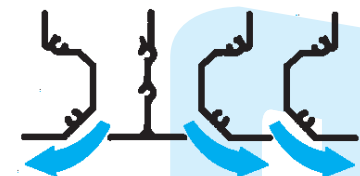
TE604/640/704/740



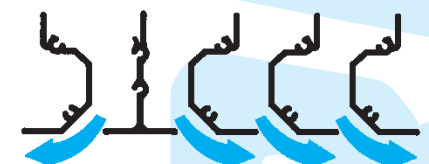
2 SUPPLY DIRECTIONS TE611



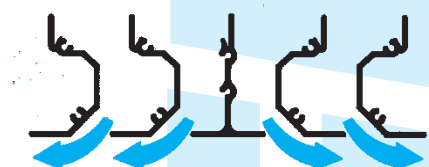
TE612/621



TE613/631/713/731



TE622/722



How to order

TE600 with 1 slot, supply direction at the right, air entry at the right,
L = 900 mm.

T	E	6	0	1	-	-	0	9	0	0	0	0	0	0
---	---	---	---	---	---	---	---	---	---	---	---	---	---	---

Slot length (mm)

1: number of slots, supply direction
AT THE RIGHT, with air entry at the right

0: number of slots, supply direction
AT THE LEFT, with air entry at the right

6: fixed core

7: hinged core, push-pull closing

Note:

- Not available as a linear grille
- TE700 only available from 4 slots
- Anodised execution only available on demand